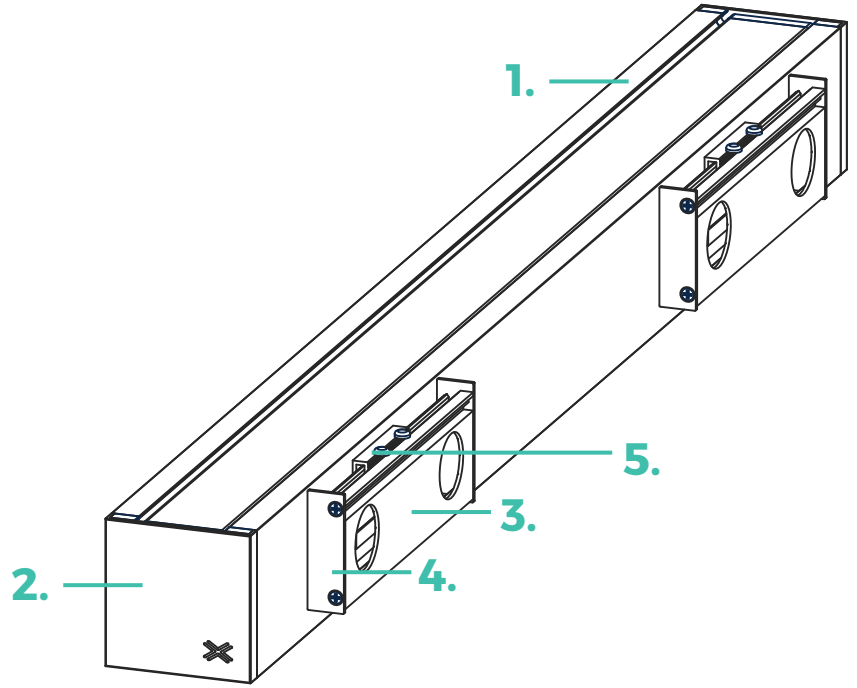


INSTALLATION INSTRUCTIONS

1. Luminaire
2. Luminaire end cap
3. Wall part
4. Wall part end cap
5. Luminaire part



1 Wall Block Installers Kit Includes:

- 1 x Installation Instructions
- 1 x Bushing End Cap
- 1 x Bushing

2

Unpack luminaire. Position with wall blocks facing the wall.

3

Hold luminaire against the wall. Mark a line across the top of one wall part and set laser guide along mark.

4

Locate luminaire position horizontally along that line and mark the Wall Part centre positions as shown on the shop drawing.

5

Unscrew locking screws and remove Wall Parts from luminaire.

6

Refer to shop drawing for flex exit location. Align flex Wall Part on laser guide and centre mark, use wall block to mark 35mm hole on wall. Cut/drill hole in wall for flex.

6a FOLLOW - IF FLEX CANNOT RUN INTO WALL

Unscrew Wall Part end cap and replace with bushing end cap. Push snap bushing into hole.

7

Align Wall Parts on laser guide and centre marks. Screw Wall Parts to wall using V-grooves. Installer to provide own fixings.

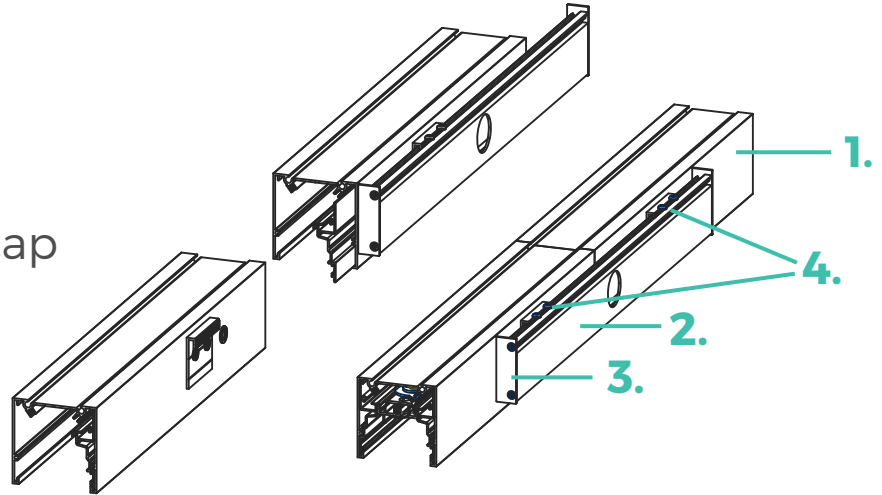
8

Run flex into flex Wall Part through either hole in wall or bushing end cap, and terminate in terminal block exiting luminaire.

9

Clip luminaire onto wall parts and centre on wall. Lock luminaire in place with provided 8G x 1/4" Pan Head screws, 2 per wall block.

1. Luminaire
2. Joiner wall part
3. Joiner wall part end cap
4. Luminaire part



1 Joiner Wall Block Kit includes -

- 1 x Installation Instructions
- 2 x 1/4 Panhead Phillip Screws
- 1 x Bushing End Cap
- 1 x Bushing

2

Run Section A Run Section B

Unpack luminaire and arrange runs in order. Position with wall blocks facing the wall.

3

Run Section A

Hold a luminaire section against the wall. Mark a line across the top of one wall part and set laser guide along mark.

4

Locate the required luminaire start position horizontally along that line and mark the Wall Part centre positions of ALL sections as shown on the shop drawing.

5

Unscrew locking screws and remove Wall Parts from luminaire.

6

Refer to shop drawing for flex exit location. Align flex Joiner Wall Part on laser guide and centre mark, use wall block to mark 35mm hole on wall.

6a FOLLOW - IF FLEX CANNOT RUN INTO WALL

Unscrew Wall Part end cap and replace with bushing end cap. Push snap bushing into hole.

7

Align Wall Parts on laser guide and centre marks. Screw Wall Parts to wall using V-grooves. Installer to provide own screws

8

Run flex into flex Joiner Wall Part through either hole in wall or bushing end cap, and terminate in terminal block exiting luminaire.

9

Clip Run Section A onto Wall Parts. Clip Run Section B onto Wall Parts to the left of Run Section A and slide runs together. Connect runs with roll pins and quick lock latches.

10

Clip luminaire onto wall parts and centre on wall. Lock luminaire in place with provided 8G x 1/4" Pan Head screws, 2 per wall block.

Xero Linear Lighting Systems
 14 Voyager Circuit,
 Glendenning NSW
 Australia 2761

P: +61 2 8599 9788
 E: headoffice@xerolighting.com

For Sales Enquiries refer below in your local state or region xerolighting.com/contact