



XERO TECHNOLOGY
ADVANCED

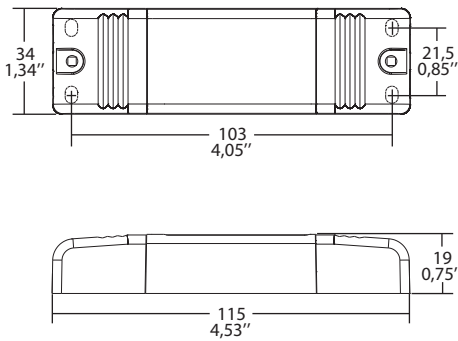
CASAMBI

CONTROL SYSTEM

Introducing the Casambi mini interface, compatible with most Xero Linear Lighting profiles allowing users to control linear luminaires directly from a mobile device, using Bluetooth Low Energy (BLE) – the cutting-edge communication technology that’s built into every modern mobile device.

With a Casambi-ready lighting system, all the users needs to do is download the Casambi app to their iOS or Android device, and they’re ready to control all their light fittings. It’s made possible by tiny chips built into each fitting, which can communicate directly with mobile devices via Bluetooth.

The high-tech devices that we all carry with us today are ideal tools for controlling lighting. Touchscreens, advanced computing power and high-speed connectivity make them ideal for tasks like commissioning lighting when it’s installed, setting up preset scenes and animations, or controlling colour.



Features	Interface which can convert a WIRELESS CASAMBI signal into a 0/1..10 V signal.
	Class II protection against electric shock for direct or indirect contact.
	The converter can be powered directly from the mains (100 - 240 VAC).
Operation Mode	WRGB mode: 4 x 0/1-10V (4 x 10mA max) independent (CH1..4)
	TW mode: 2 x 0/1-10V (2 x 10mA max) independent (CH1-2).
Rated Voltage	100 - 240 V
Frequency	50/60 Hz
DC Operation range	176 - 264 V
AC Operation range	90 - 264 V
IP Rating	IP20
Weight	60gms / 2.07 oz



For more information on the Casambi control system speak to with your local Xero Linear Lighting Regional Specification Representative by going to xerolighting.com/contacts