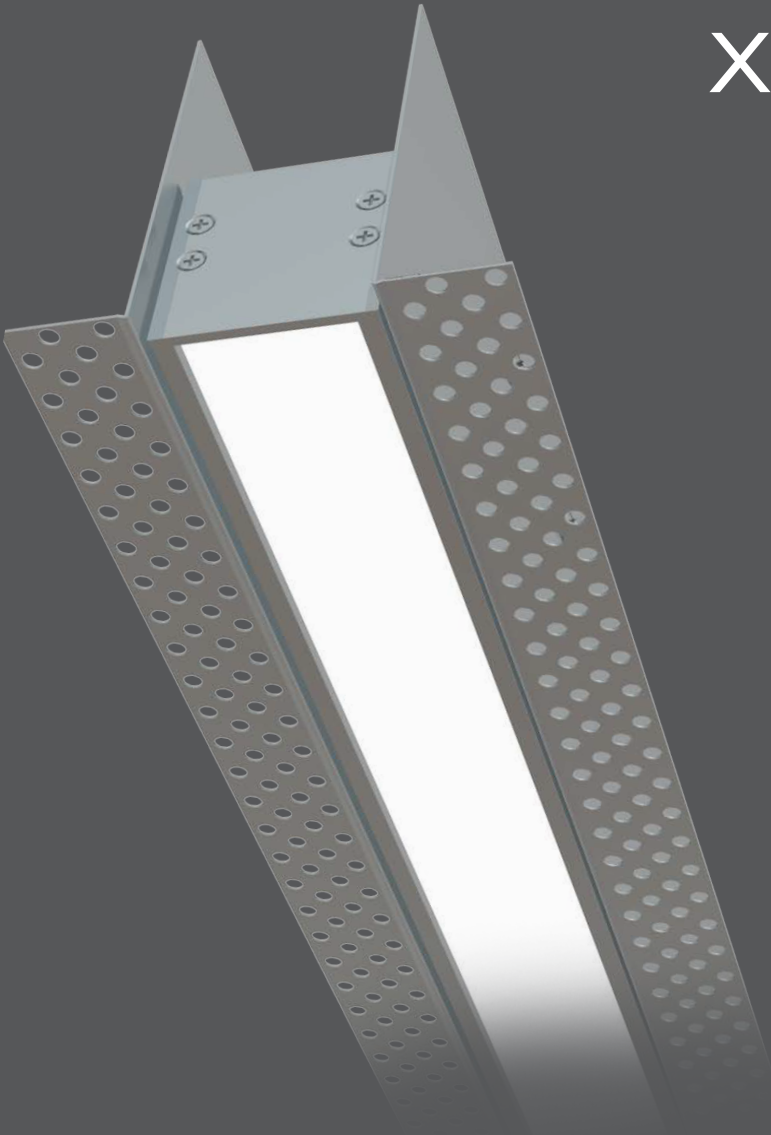


XERO  
TECHNOLOGY  
ADVANCED XTA

# XTA | 3.0 Square TR Trimless Recessed

IP20 interior



metric	(Niche) 153mm wide x 120mm high
--------	------------------------------------

imperial	6.0236" Wide x 4.724"H
----------	------------------------

metric	(Luminaire) 80mm wide x 80mm high
--------	--------------------------------------

imperial	3.149" Wide x 3.149"H
----------	-----------------------





# The industry's best profiles

Xero Linear Lighting Systems introduces the Xero Technology Advanced (XTA) series.

XTA brings together the best available technology for any linear lighting system.

The technologically advanced XTA series also includes 'AXIS' a unique gear tray system that is completely upgradable and removable allowing LED components to be easily accessed for end of life replacement, upgrade or maintenance. Axis gear trays have a cam latch that is the fastest in the industry to remove and requires no tools.

The XTA series uses Xero's exclusive boards and drivers - 'Xeramix 1' with an industry leading 10 year warranty that has unmatched colour quality throughout life includes combined HE / HO board with 114k hour life to L90 B10.

UL / CE / AUS/NZS standards approved Universal 120-277v input, site selectable drive current for variable output 'on-the-fly'. Partner this with the high end details such as laser etched CNC machined end plates, micro prism diffuser with UGR19 and high LOR, white optic louvres and dot free diffusion options and excellent thermal tolerance.

XERO is truly linear lighting redesigned



# higher performance longer life

The XTA | 3.0 Xero Linear Lighting System brings high-quality dot free illumination to commercial and institutional interior environments. Featuring the latest generation of LED technology, The XTA | 3.0 is the perfect choice for offices, retail and public spaces with clean, uninterrupted lines of light that comes from Xero's exclusive patent 'SpeedConnect' System

Xeramix LED light engines are LED boards that utilise ceramic based LED chips that provide outstanding light quality over the LIFE of the boards. The LED light engines have 114,000 hour life to L90 B10 @ 50°C. This performance is unmatched.

Xero Linear Lighting Systems extends an (industry leading) full 10 year warranty using Xeramix 1 light engines to the original purchaser for the XTA series of profiles.

For more information on warranty visit [www.xerolighting.com/warranty](http://www.xerolighting.com/warranty)



General enquiries  
 E [headoffice@xerolighting.com](mailto:headoffice@xerolighting.com)  
 W [xerolighting.com](http://xerolighting.com)  
 To get in touch with your local Xero  
 Distributor Visit [www.xerolighting.com/contacts](http://www.xerolighting.com/contacts)

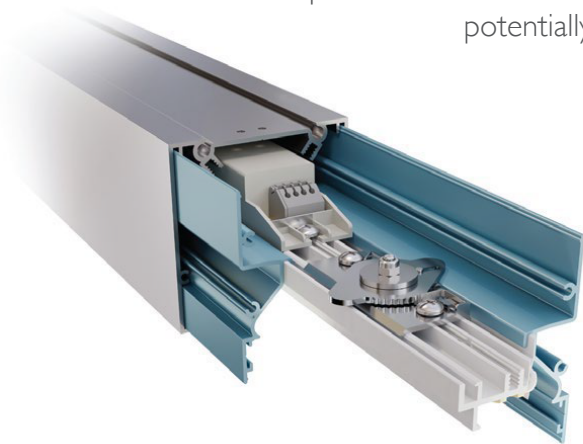
XTA | 3.0 Square TR  
Trimless Recessed  
IP20 indoor series



This truly unique innovation adopts our revolutionary cam lock for quick and simple 'single person' installation. The system is also 'future proofed' by having the ability to easily upgrade as LED technology rapidly

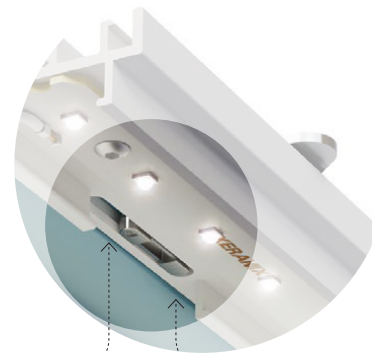
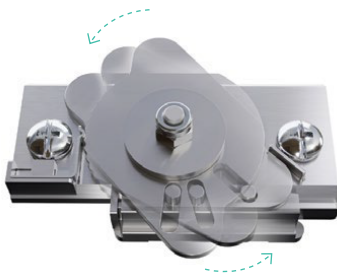
**Toolless installation**

The ease of speed without screws, tools or lost components whilst also avoiding accidental damage potentially caused by screwdrivers.



**Cam lock**

Ingenious patented locking cam allows for ease of installing and removing the complete gear tray. This allows for both simple maintenance but also upgrading in the future.



## XTA | 3.0 Square TR

Trimless Recessed  
IP20 indoor series

# Highly Configurable

All XTA products can be made with lit, or unlit, corners which provide the designer with a myriad of design options.



## bend options



135°



cross 90°



tee 90°



custom



corner 90°



ceiling to wall

XERO TECHNOLOGY  
ADVANCED

**XTA | 3.0 Square TR**  
Trimless Recessed  
IP20 indoor series



LED technology has rapidly advanced over the last decade with criteria of quality & quantity of light, efficiency, life and cost. The XERAMIX™ philosophy is targeting performance well within nominal specification to create luminaires in a class of their own.



**Multi configuration arrays**

Xeramix light engines are available in 25mm, 100mm, 280mm and 560mm lengths. These lengths derive from Xero's linear fixture algorithm, resulting in the ability to manufacture any luminaire length within 1mm increments.



**Industry First**

Xero XTA and XTI profiles are all backed by an industry leading 10 year warranty

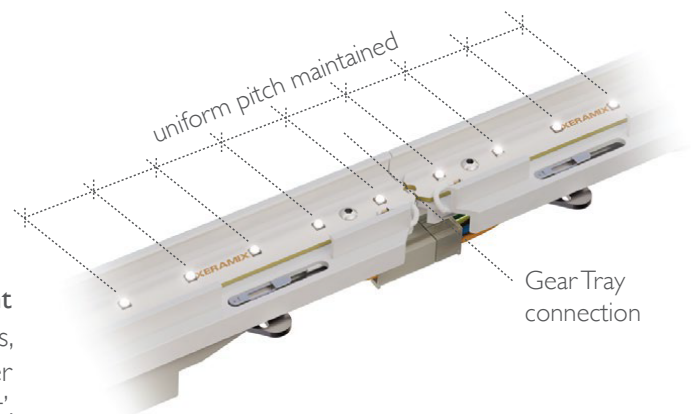
**Drive current dipswitch**

A simple switch configures the total luminaire wattage, lumen output and efficiency without the need to change components. Xeramix light engines have been engineered to support the broad range of drive currents.



**Constant pitch, uniform light**

LED pitch is maintained across multiple gear trays, creating a uniform 'dot free' appearance on the diffuser for a highly desirable, continuous 'ribbon of light'.



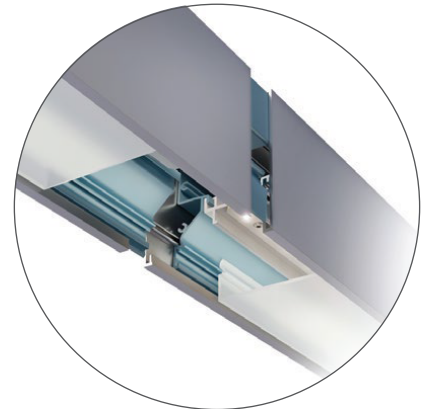
**XTA | 3.0 Square TR**  
Trimless Recessed  
IP20 indoor series

**SPEED  CONNECT™**

The Speed Connect joining system is not only the fastest in the market, it's a complete 'light leak free' join. Its multiple benefits for both installer and client's project sets it apart from the rest, reaching a new pinnacle of linear lighting.

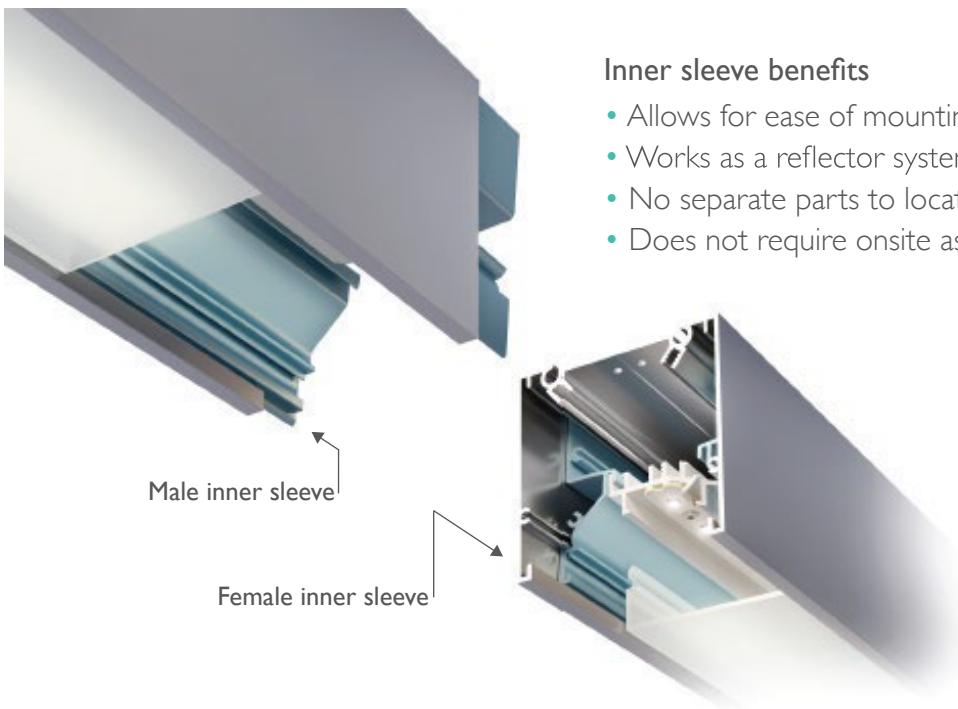
**Precision alignment**

The inner sleeve coupled with roll pins provides precise multi-axial alignment.



**Inner sleeve benefits**

- Allows for ease of mounting and alignment between sections
- Works as a reflector system for maximum light emission
- No separate parts to locate or be misplaced
- Does not require onsite assembly of gear trays





# XTA | 3.0 Square TR Trimless Recessed

IP20 interior

metric	(Niche) 153mm Wide x 120mm High
imperial	6.023" Wide x 4.724" High
metric	(Luminaire) 80mm Wide x 80mm High
imperial	3.149" Wide x 3.149" High

# technical data



## DATA TABLE

Output	4ft Length 1120mm	Luminous Flux (Delivered Lumens)	LO 1900	HO 3500	
		CRI		80+	
	Lumen Maintenance		114,000 hours [L90 B10 @ 35°C] 1M hours [L70 B10 @ 35°C]		
<b>Warranty</b>			Xeramix 1 = 114,000 hours or Xeramix R = 1 million hours		
<b>Electrical</b>	Power Consumption	Between 20 and 45w/m			
	Voltage input range	120 – 277V			
	Control methods	Dimming options for white light: 0-10V, DALI, DMX / Optional RGB / Sunset Dimming control DMX or DALI XI			
	Total harmonic distortion THD	9.8% max			
	Approvals	UL / CE / CCC / AS:NZS / EMC			
<b>Physical</b>	Dimensions – (Niche)	153mm Wide x 120mm High			
	Dimensions – (Luminaire)	80mm x 80mm			
	Weight per metre (Niche)	4.45kg (9.8lbs) average weight			
	Weight per metre (Luminaire)	3.2kg (4.4lbs) average weight			
	Distribution	Symmetric / Asymmetric			
	Housing	Aluminium Extrusion with anodised or powdercoated finish			
	Diffuser	Frosted acrylic lens / Polycarbonate lens / microprism lens / white optic low brightness louvre			
	Connections	Speed connect joining system with polarised electrical connection between sections			
	Compatible ceiling type	Suitable for gyprock (drywall) ceilings			
	Mounting	Site adjustable plaster trim kit (only)			
	Joiner options	Lit corner 90*/ Cross 90*/ Tee 90*/ straight 180* join			
	Operating temperatures	-25°C to 50°C (-13F to 140°F)			
	Environment	Dry – Indoor applications only			
	Minimum length adjustment	25mm			
	LED board types	XERAMIX LED boards in 25mm / 100mm / 280mm / 560mm lengths ZHAGA compatible			



## PENDANT LENGTHS

DESCRIPTION	PENDANT LENGTHS										
luminaire length	585	863.60	1143.00	1422.40	1701.80	1981.30	2260.60	2540.00	2819.40	3098.80	3378.20
inches	23	34	45	56	67	78	89	100	111	122	133
'560 board multiples	1	1.5	2.0	2.5	3.0	3.5	4.0	4.5	5.0	5.5	6.0

## CONTINUOUS LENGTHS

DESCRIPTION	CONTINUOUS RUNS										
total luminaire length	3657.60	3937.00	4216.40	4495.80	4775.20	5054.60	5334.00	5892.80	5892.80	6172.20	6451.60
inches	144	155	166	177	188	199	210	232	232	243	254
'560 board multiples	6.5	7	7.5	8.0	8.5	9.0	9.5	10.0	10.5	11.0	11.5

DESCRIPTION	CONTINUOUS RUNS										
total luminaire length	3657.60	3937.00	4216.40	4495.80	4775.20	5054.60	5334.00	5892.80	5892.80	6172.20	6451.60
inches	144	155	166	177	188	199	210	232	232	243	254
'560 board multiples	6.5	7	7.5	8.0	8.5	9.0	9.5	10.0	10.5	11.0	11.5

## CUSTOM LENGTHS

CUSTOM LENGTHS
custom lengths are available in 0.984252" [25mm] increments above the minimum pendant length of 23" [585mm] using Xeramix boards

# Optical control

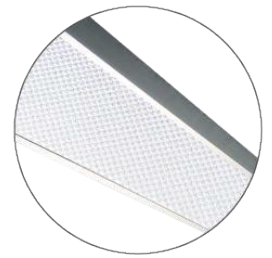
All XTA profiles come with many diffuser options for glare control in any application



polycarbonate

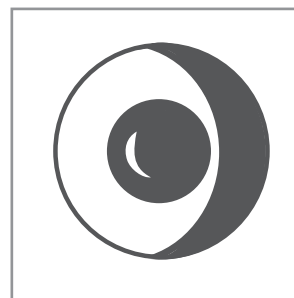


plexiglass

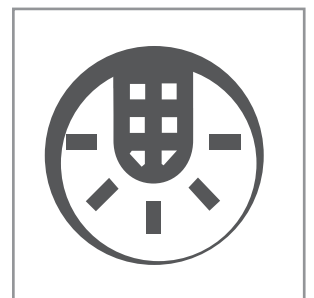


microp prism

# Accessories and options



sensors / daylight harvesting



emergency packs

**XTA | 3.0 Square TR**  
Trimless Recessed  
IP20 indoor series



The Xero Configurator allows you to design and build your customised lighting system. To ensure that your profile specifically caters to your project application follow the simple 8 step build process to obtain your unique DNA code. Select your profile, choose your colour, length, gear tray, output, colour temperature, mounting requirement and choose from the selection of extras

The X-Configurator can be accessed at <http://xconfigurator.xerolighting.com/>

**Project Specification Sheet**

**XTA 3.0 Beam**

Name	Joe Smith
Company	Joe Smiths Company
Email	joesmith@joesmithcompany.com.au
Project	A very big project
Fitting Type	S1
Series	XTA - Advanced
IP Rating	IP55
LED Board	Xeramix X1
Size	3.0 Inches Down / 1.5 inches Up
Shape	Beam
Light Output	Up / Down
Diffuser	Plexiglass Down / Parabolic Louver Up
Colour Temp	3000K Down / 5000K Up
Drive Current	Drive Current Down / Drive Current Up
Total Light	Total Light Down / Total Light Up
Total Power	Total Power Down / Total Power Up
Efficiency	Efficiency Down / Total Power Up

Copy and Paste into your project specification

**SPECIFICATION TEXT**  
Copy and Paste into your project specification

Type xx - XXM Xero XTA | 3.0 Square with Micro Prism diffuser, Xeramix I LED light engine, 3000K, 50°C ambient temperature, L90 B10 114 hour life, 275Ma drive current. Efficacy of 512 lumens per watt delivered. Fitting comes complete with Speed-Connect joining system, Con Seal end plates and Lumi Seal. Wire suspended with rollerball suspension system.

**RE - CONFIGURE THIS SPECIFICATION**  
This project specification sheet has been generated with X Configurator. Click below to reconfigure and generate a new specification sheet.

[Click to re-configure](#)

ADLAIDE | AUCKLAND | BRISBANE | CHRISTCHURCH | DUNEDIN | HONG KONG  
KUALA LUMPUR | SYDNEY | MELBOURNE | PERTH | USA | WELLINGTON

XEROLIGHTING.COM

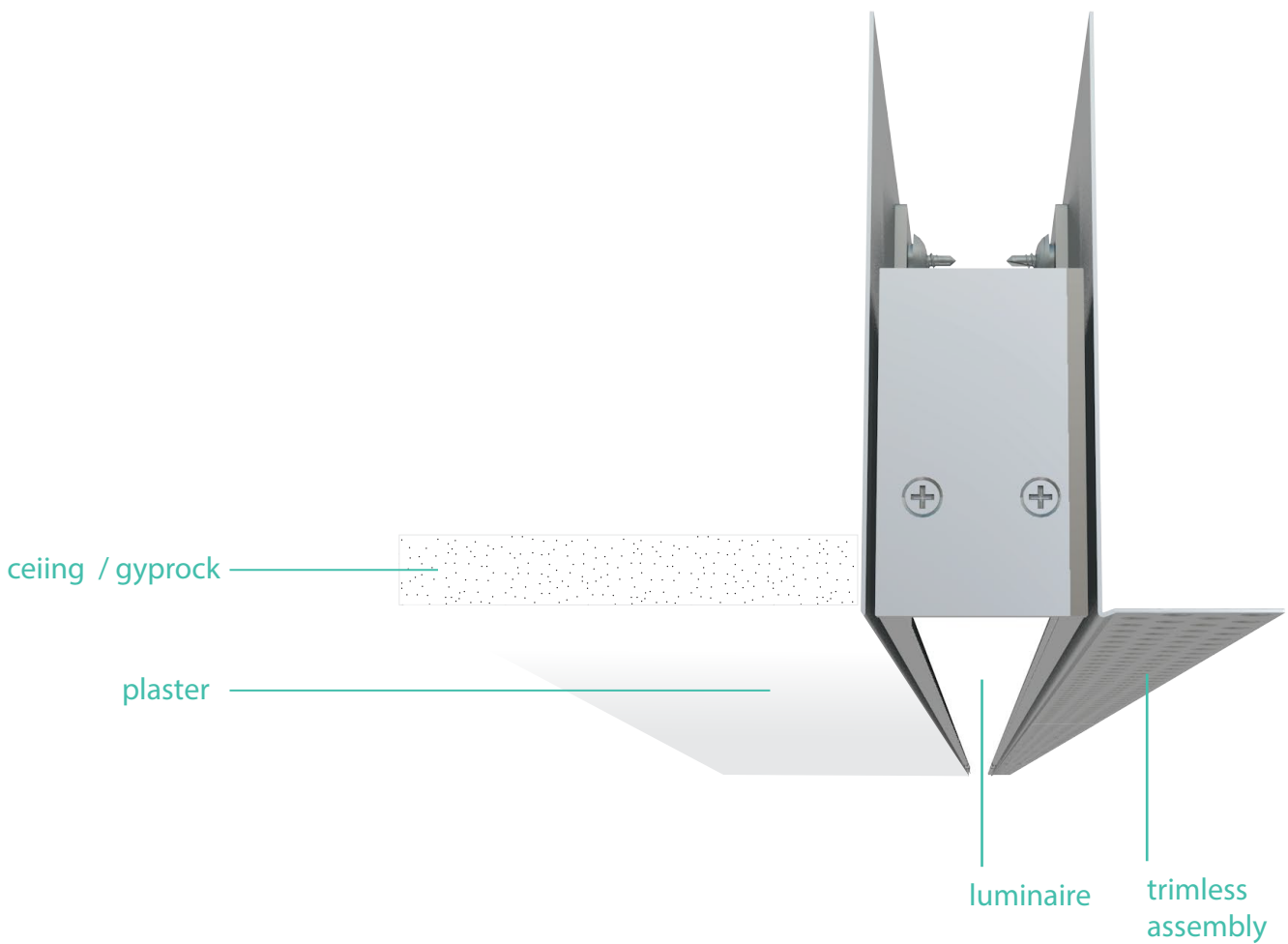
to access the X-configurator please visit <http://xconfigurator.xerolighting.com/>

**General Specifications:**

- LED luminaries shall employ ceramic based LED's with ZHAGA compliant boards
- LED luminaries shall have removable gear trays
- LED luminaries shall have upgradeable boards and drivers
- LED luminaries shall have light leak free joining systems
- LED Luminaires shall have 114,000 hour life to L90 B10 @ 50°C
- LED Luminaires shall have colour spatial uniformity of 3 step macadam ellipse at end of life
- LED luminaries shall have site adjustable drive current selection capability without the need for additional parts
- LED Luminaires shall have thermal ambient temperature rating of 50°C



# Trimless Mounting



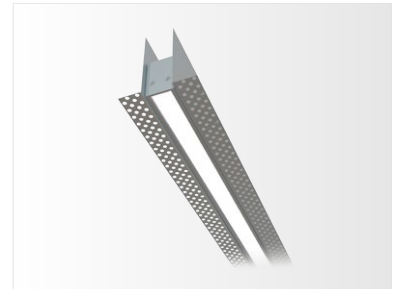
For Trimless Recessed installation instructions refer to <https://xerolighting.com/products/xta-1-5-slot-tr/>



## XTA | 3.0 Square TR indoor series IP20

# Meet the family

XTA | 1.5 Slot TR



XTA | 2.0 Slot TR



XTA | 3.0 Slot TR



---

General enquiries  
E [lights@xerolighting.com](mailto:lights@xerolighting.com) W [xerolighting.com](http://xerolighting.com)  
To get in touch with your local Xero  
Distributor Visit [XEROContacts](#)



The information contained within this specification sheet is for general information purposes only. While Xero aspires to keep the information up to date and correct, we make no representations or warranties of any kind about the accuracy, reliability, suitability or availability with respect to this information, products, services, or graphics contained in this specification sheet for any purpose.