

XERO  
TECHNOLOGY  
ADVANCED XTA



## XTA | 2.0 Edge Square

metric

60mm Wide x 77mm High

imperial

2.362" Wide x 3.0315" High



# The industry's best profiles

Xero Linear Lighting Systems introduces the Xero Technology Advanced (XTA) series.

XTA brings together the best available technology for any linear lighting system. This includes 'lumiSEAL' a complete light leak free system that incorporates 'ConSEAL' a patented end plate with hidden gaskets in all IP versions and 'Speed-Connect' a fast easy to assemble tool-less joining system that minimises installation time and additional skilled labour.

The technologically advanced XTA series also includes 'AXIS' a unique gear tray system that is completely upgradable and removable allowing, LED components to be easily accessed for end of life replacement, upgrade or maintenance. Axis gear trays have a camm latch that is the fastest in the industry to remove and requires no tools.

The XTA series uses Xero's exclusive boards and drivers - 'Xeramix 1' with an industry leading 10 year warranty that has unmatched colour quality throughout life includes combined HE / HO board with 114k hour life to L90 B10. Optional 'Xeramix R' available with 15 year warranty, 1M hours at L70 B10. All XTA profiles are incrementally length adjustable by 1mm increments.

UL / CE / AUS/NZS standards approved Universal 120-277v input, site selectable drive current for variable output 'on-the-fly'. Partner this with the high end details such as laser etched CNC machined end plates, micro prism diffuser with UGR19 and high LOR, white optic louvres and dot free diffusion options and excellent thermal tolerance.

XERO is truly linear lighting redesigned



# higher performance longer life

The XTA | 2.0 Xero Linear Lighting System brings high-quality dot free illumination to commercial and institutional interior environments. Featuring the latest generation of LED technology, the XTA | 2.0 is the perfect choice for offices, retail and public spaces with clean, uninterrupted lines of light that comes from Xero's exclusive patent 'SpeedConnect' System

Xeramix LED light engines are LED boards that utilise ceramic based LED chips that provide outstanding light quality over the LIFE of the boards. The LED light engines have 114,000 hour life to L90 B10 @ 50°C. This performance is unmatched.

Xero Linear Lighting Systems offers a 7 year warranty using Proformax light engines to the original purchaser for the XTA series of profiles. For more information on warranty visit [www.xerolighting.com/warranty](http://www.xerolighting.com/warranty)

**PROFORMAX** >> **STANDARD QUALITY ASSURED 7 YEAR WARRANTY**

Xero Linear Lighting Systems extends an (industry leafull 10 year warranty using Xeramix1 light engines to the original purchaser for the XTA series of profiles. For more information on warranty visit [www.xerolighting.com/warranty](http://www.xerolighting.com/warranty)

**XERAMIX1** >> **ADVANCED INDUSTRY BEST 10 YEAR WARRANTY**

Xero Linear Lighting Systems extends a full 15 year warranty using XeramixR light engines to the original purchaser for the XTA series of profiles. For more information on warranty visit [www.xerolighting.com/warranty](http://www.xerolighting.com/warranty)

**XERAMIXR** >> **OPTIONAL INDUSTRY BEST 15 YEAR WARRANTY**

General enquiries  
 E [headoffice@xerolighting.com](mailto:headoffice@xerolighting.com)  
 W [xerolighting.com](http://xerolighting.com)  
 To get in touch with your local Xero  
 Distributor Visit [www.xerolighting.com/contacts](http://www.xerolighting.com/contacts)





# LUMI SEAL™

# First of it's kind light-leak free luminaire

The Xero Linear Lighting Group brings yet another industry first complete 'light-leak-free' system where there are no light leaks in the usual places like end plates, diffuser expansion gaps and at joins where two or more pieces are connected together. all of this from the linear lighting system company that has raised the bar on what is possible with this extraordinary product.

The patented Lumi SEAL™ light leak free system incorporates -

## CON SEAL™

ConSeal is a patented end plate that provides hidden gaskets in all IP version luminaires

## SPEED CONNECT™

'Speed-Connect' a fast easy to assemble tool-less joining system that minimises installation time and additional skilled labour.

General enquiries  
 E [headoffice@xerolighting.com](mailto:headoffice@xerolighting.com)  
 W [xerolighting.com](http://xerolighting.com)  
 To get in touch with your local Xero  
 Distributor Visit [www.xerolighting.com/contacts](http://www.xerolighting.com/contacts)



XERO  
TECHNOLOGY  
ADVANCED



XTA | 2.0 EDGE Square  
indoor series IP20

# \*1mm = the industry's smallest incremental length adjustment

All XTA profiles can be mounted wall-to-ceiling, wall-to-wall or any combination of both, this couples with an incremental length capability of 0.039" [1mm] gives the designer maximum flexibility with custom designs.

\*Only when using Xeramix boards and drivers

General enquiries  
E [headoffice@xerolighting.com](mailto:headoffice@xerolighting.com)  
W [xerolighting.com](http://xerolighting.com)  
To get in touch with your local Xero  
Distributor Visit [www.xerolighting.com/contact](http://www.xerolighting.com/contact)



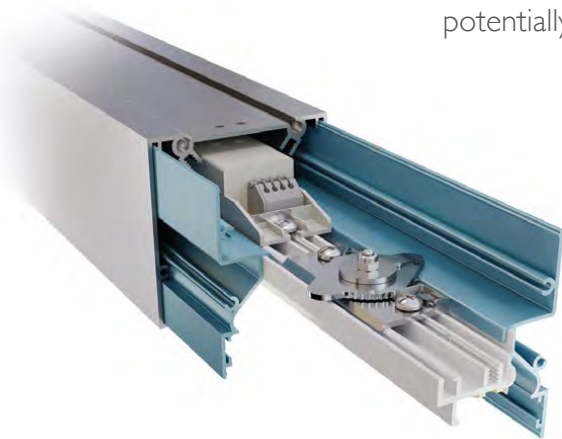
The information contained within this specification sheet is for general information purposes only. While Xero aspires to keep the information up to date and correct, we make no representations or warranties of any kind about the accuracy, reliability, suitability or availability with respect to this information, products, services, or graphics contained in this specification sheet for any purpose.



This truly unique innovation adopts our revolutionary cam lock for quick and simple 'single person' installation. The system is also 'future proofed' by having the ability to easily upgrade as LED technology rapidly

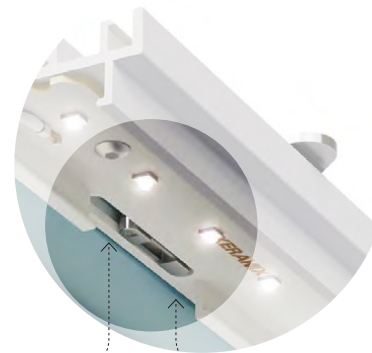
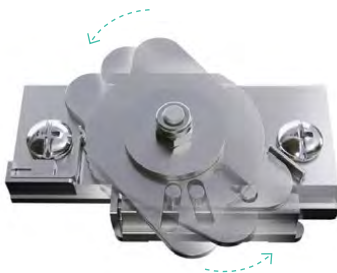
**Toolless installation**

The ease of speed without screws, tools or lost components whilst also avoiding accidental damage potentially caused by screwdrivers.



**Cam lock**

Ingenuous patented locking cam allows for ease of installing and removing the complete gear tray. This allows for both simple maintenance but also upgrading in the future.



# Highly Configurable

All XTA products can be made with lit, or unlit, corners which provide the designer with a myriad of design options.



## bend options



135°



cross 90°



tee 90°



custom



corner 90°



ceiling to wall

## XTA | 2.0 EDGE Square indoor series IP20



LED technology has rapidly advanced over the last decade with criteria of quality & quantity of light, efficiency, life and cost. The XERAMIX™ philosophy is targeting performance well within nominal specification to create luminaires in a class of their own.



### Multi configuration arrays

Xeramix light engines are available in 25mm, 100mm, 280mm and 560mm lengths. These lengths derive from Xero's linear fixture algorithm, resulting in the ability to manufacture any luminaire length within 1mm increments.



### Industry First

Xero XTA and XTI profiles are all backed by an industry leading 10 year warranty

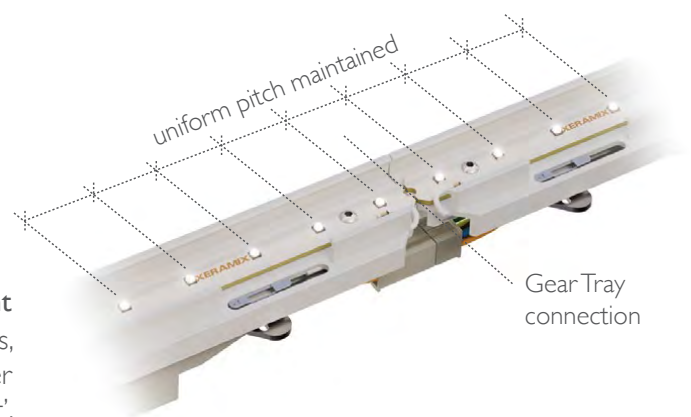
### Drive current dipswitch

A simple switch configures the total luminaire wattage, lumen output and efficiency without the need to change components. Xeramix light engines have been engineered to support the broad range of drive currents.



### Constant pitch, uniform light

LED pitch is maintained across multiple gear trays, creating a uniform 'dot free' appearance on the diffuser for a highly desirable, continuous 'ribbon of light'.





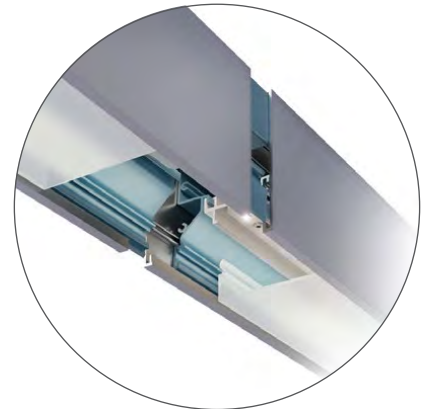
## XTA | 2.0 EDGE Square indoor series IP20

# SPEED CONNECT™

Our patented joining system is not only the fastest in the market, it incorporates LUMI-SEAL™ for a complete 'light leak free' join. Its multiple benefits for both installer and client's project sets it apart from the rest, reaching a new pinnacle of linear lighting.

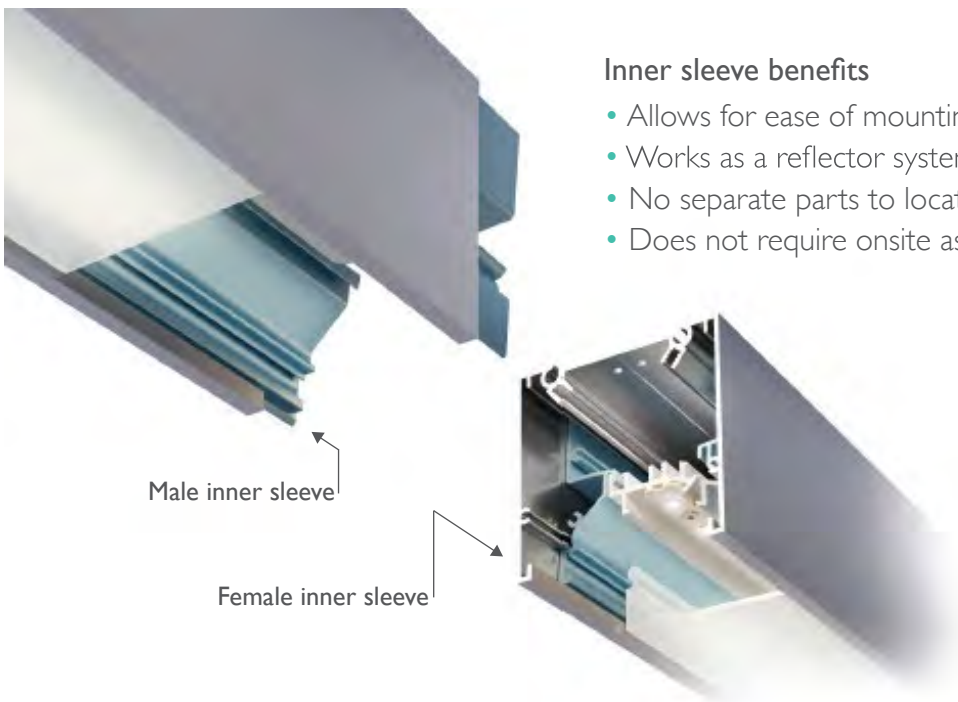
### Precision alignment

The inner sleeve coupled with roll pins provides precise multi-axial alignment.



### Inner sleeve benefits

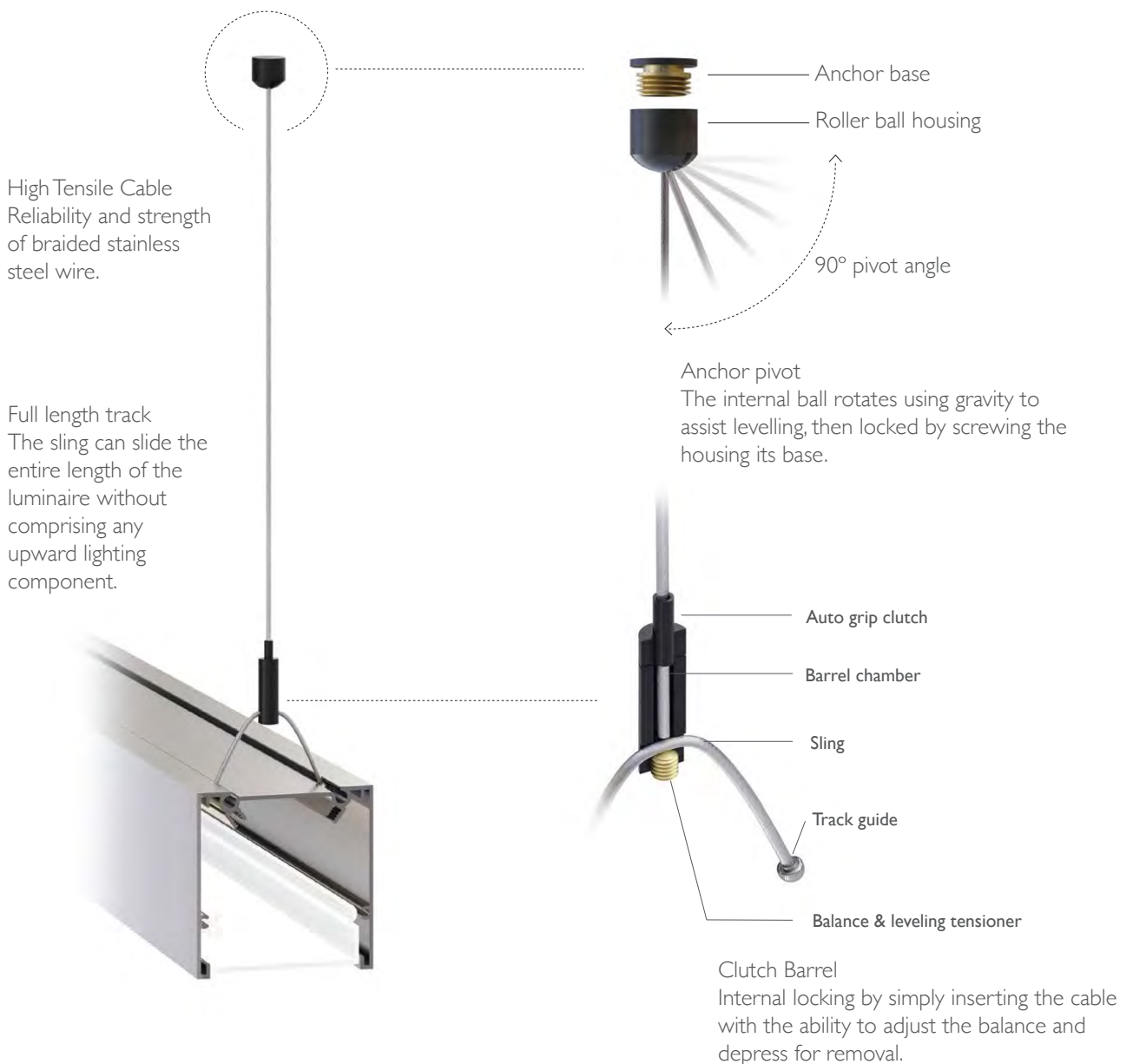
- Allows for ease of mounting and alignment between sections
- Works as a reflector system for maximum light emission
- No separate parts to locate or be misplaced
- Does not require onsite assembly of gear trays



**XTA | 2.0 EDGE Square**  
indoor series IP20

# Rollerball Suspension™

The smart suspension system that can be mounted on any surface, whether a flat or sloped ceiling, or even a wall. Height adjustment is done at the luminaire for fine tuning close to the ground. The flexibility of luminaire location allows complete freedom of lighting design.



General Enquiries: [E headoffice@xerolighting.com](mailto:Eheadoffice@xerolighting.com) [W www.xerolighting.com](http://www.xerolighting.com) | To get in touch with your local Xero Distributor visit [www.xerolighting.com/contacts](http://www.xerolighting.com/contacts)

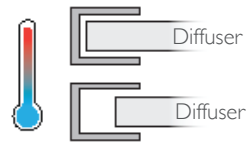
The information contained within this specification sheet is for general information purposes only. While Xero aspires to keep the information up to date and correct, we make no representations or warranties of any kind about the accuracy, reliability, suitability or availability with respect to this information, products, services, or graphics contained in this specification sheet for any purpose.

# XTA | 2.0 EDGE Square indoor series IP20

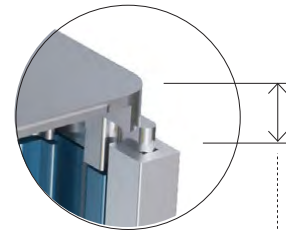


Linear lighting perfection has been realised, introducing patented Con-Seal™. The typical industry 'extrusion + flat end plate' has been superseded by our precision engineered endcap, complete with 'magnetic snap' cover plate that's nothing short of impressive.

**Precision Endcap**  
Considerable ingenuity has interfaced the main extrusion, gear tray, inner sleeve, diffuser, gasket suspension and cover plate all together in this single component.



**Tolerance gutter**  
Allows for thermal expansion and contraction of the diffuser material.



**Magnetic cylinder**  
The cover plate magically snaps into position with ease.

**Pin perfect alignment**  
Internal check pins and mounting screws ensure extrusion shape and structure integrity.



General Enquiries: [E headoffice@xerolighting.com](mailto:E_headoffice@xerolighting.com) [W www.xerolighting.com](http://www.xerolighting.com) | To get in touch with your local Xero Distributor visit [www.xerolighting.com/contacts](http://www.xerolighting.com/contacts)

The information contained within this specification sheet is for general information purposes only. While Xero aspires to keep the information up to date and correct, we make no representations or warranties of any kind about the accuracy, reliability, suitability or availability with respect to this information, products, services, or graphics contained in this specification sheet for any purpose.

## XTA | 2.0 EDGE Square

metric 60mm Wide x 77mm High imperial

2.362" Wide x 3.0315" High

# technical data

## DATA TABLE

| LED Engine | 4ft Length<br>1120mm          | Luminous Flux<br>(Delivered Lumens)  | LO                              | HO   |  |
|------------|-------------------------------|--|---------------------------------|------|--|
|            |                               |  | 1900                            | 3500 |  |
| LED Engine | Xeramix                       | CRI  | 80+                             |      |  |
|            |                               | Lumen Maintenance:   | 114,000 Hours ( L90 B10 @ 50° ) |      |  |
|            | Proformax                     | CRI:   | 90+                             |      |  |
|            |                               | Lumen Maintenance:   | 82,000 Hours ( L80 B10 @ 35° )  |      |  |
| Warranty   | Xeramix                       | 10 years   |                                 |      |  |
|            | Proformax                     | 7 years  |                                 |      |  |
| Electrical | Power Consumption             | Between 20 and 45w/m   |                                 |      |  |
|            | Voltage input range           | 120 – 277V   |                                 |      |  |
|            | Control methods               | Dimming options for white light: 0-10V, DALI, DMX Optional RGB / Sunset<br>Dimming control DMX or DALI XI                                    |                                 |      |  |
|            | Total harmonic distortion THD | 9.8% max   |                                 |      |  |
|            | Approvals                     | UL / CE / CCC / AS:NZS / EMC   |                                 |      |  |
| Physical   | Dimensions                    | 60 X 77mm  |                                 |      |  |
|            | Weight per metre              | 3kg (6.6lbs) average weight  |                                 |      |  |
|            | Housing                       | Aluminium Extrusion with anodised or powder-coated finish  |                                 |      |  |
|            | Downward diffuser             | Frosted acrylic lens / Polycarbonate lens / microprism lens  |                                 |      |  |
|            | Connections                   | Speed connect joining system with polarised electrical connection<br>between sections  |                                 |      |  |
|            | Compatible ceiling type       | suitable for gyprock (drywall) ceilings, metal pan, concrete, timber and T-bar grid<br>ceilings  |                                 |      |  |
|            | Mounting                      | Field adjustable rollerball wire suspensions / rod suspensions / wall mounting /<br>surface mount  |                                 |      |  |
|            | Joiner options                | Lit corner 90° / Cross 90° / Tee 90° / Straight 180° join  |                                 |      |  |
|            | Operating temperatures        | Xeramix = -25°C to 50°C (-13°F to 140°F)<br>Proformax = -25°C to 35°C (-13°F to 95°F)  |                                 |      |  |
|            | Environment                   | Dry indoor applications only   |                                 |      |  |
|            | Minimum length adjustment     | Xeramix = 1mm Proformax = 25mm   |                                 |      |  |
|            | LED board types               | Xeramix LED boards in 25 / 100 / 280 / 560mm lengths Zhaga compatible<br>Proformax LED boards in 50 / 280mm / 560mm lengths Zhaga compatible |                                 |      |  |

## PENDANT LENGTHS

| DESCRIPTION          | PENDANT LENGTHS |     |      |      |      |      |      |      |      |      |      |
|----------------------|-----------------|-----|------|------|------|------|------|------|------|------|------|
| luminaire length     | 585             | 865 | 1145 | 1425 | 1705 | 1985 | 2265 | 2545 | 2825 | 3105 | 3385 |
| inches               | 23              | 34  | 45   | 56   | 67   | 78   | 89   | 100  | 111  | 122  | 133  |
| '560 board multiples | 1               | 1.5 | 2.0  | 2.5  | 3.0  | 3.5  | 4.0  | 4.5  | 5.0  | 5.5  | 6.0  |

## CONTINUOUS LENGTHS

| DESCRIPTION            | CONTINUOUS RUNS |      |      |      |      |      |      |      |      |      |      |
|------------------------|-----------------|------|------|------|------|------|------|------|------|------|------|
| total luminaire length | 3665            | 3945 | 4225 | 4505 | 4785 | 5065 | 5345 | 5625 | 5905 | 6185 | 6465 |
| inches                 | 144             | 155  | 166  | 177  | 188  | 199  | 210  | 232  | 232  | 243  | 254  |
| '560 board multiples   | 6.5             | 7    | 7.5  | 8.0  | 8.5  | 9.0  | 9.5  | 10.0 | 10.5 | 11.0 | 11.5 |

| DESCRIPTION            | CONTINUOUS RUNS |      |      |      |      |      |      |      |      |      |      |
|------------------------|-----------------|------|------|------|------|------|------|------|------|------|------|
| total luminaire length | 6745            | 7025 | 7305 | 7585 | 7865 | 8145 | 8245 | 8705 | 8985 | 9625 | 9545 |
| inches                 | 144             | 155  | 166  | 177  | 188  | 199  | 210  | 232  | 232  | 243  | 254  |
| '560 board multiples   | 6.5             | 7    | 7.5  | 8.0  | 8.5  | 9.0  | 9.5  | 10.0 | 10.5 | 11.0 | 11.5 |

Above lengths are for Non-IP rated systems only. Lengths vary slightly when IP rated systems are selected please consult your local Xero Representative for more details

## CUSTOM LENGTHS

| CUSTOM LENGTHS  |
|---|
| Custom lengths for Xeramix are available in 0.0393701" [1mm] increments above the minimum pendant length of 23" [590mm]   |
| Custom lengths for Proformax are available in 0.984252" [25mm] increments above the minimum pendant length of 23" [590mm] |



XTA | 2.0 EDGE Square  
indoor series IP20

# Optical control

All XTA profiles come with many diffuser options for glare control in any application



polycarbonate

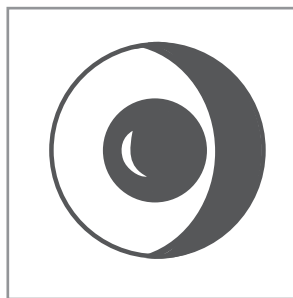


plexiglass

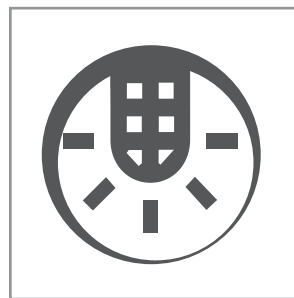


microprism

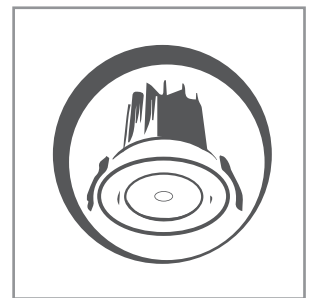
# Accessories and options



sensors / daylight  
harvesting



emergency packs



downlights



General Enquiries: [E headoffice@xerolighting.com](mailto:E_headoffice@xerolighting.com) [W www.xerolighting.com](http://www.xerolighting.com) | To get in touch with your local Xero Distributor visit [www.xerolighting.com/contacts](http://www.xerolighting.com/contacts)

The information contained within this specification sheet is for general information purposes only. While Xero aspires to keep the information up to date and correct, we make no representations or warranties of any kind about the accuracy, reliability, suitability or availability with respect to this information, products, services, or graphics contained in this specification sheet for any purpose.

# XTA | 2.0 EDGE Square

indoor series IP20



The Xero Configurator allows you to design and build your customised lighting system. To ensure that your profile specifically caters to your project application follow the simple 8 step build process to obtain your unique DNA code. Select your profile, choose your colour, length, gear tray, output, colour temperature, mounting requirement and choose from the selection of extras

The X-Configurator can be accessed at [xerolighting.com/xconfigurator](http://xerolighting.com/xconfigurator)

Project Specification Sheet

### XTA 3.0 Beam

|                     |                                 |
|---------------------|---------------------------------|
| <b>Name</b>         | Joe Smith                       |
| <b>Company</b>      | Joe Smiths Company              |
| <b>Email</b>        | joesmith@joesmithcompany.com.au |
| <b>Project</b>      | A very big project              |
| <b>Fitting Type</b> | <input type="text" value="S1"/> |

|                      |                                       |
|----------------------|---------------------------------------|
| <b>Series</b>        | XTA - Advanced                        |
| <b>IP Rating</b>     | IP55                                  |
| <b>LED Board</b>     | Xeramix X1                            |
| <b>Size</b>          | 3.0 Inches Down / 1.5 Inches Up       |
| <b>Shape</b>         | Beam                                  |
| <b>Light Output</b>  | Up / Down                             |
| <b>Diffuser</b>      | Plexiglass Down / Parabolic Louver Up |
| <b>Colour Temp</b>   | 3000K Down / 5000K Up                 |
| <b>Drive Current</b> | Drive Current Down / Drive Current Up |
| <b>Total Light</b>   | Total Light Down / Total Light Up     |
| <b>Total Power</b>   | Total Power Down / Total Power Up     |
| <b>Efficiency</b>    | Efficiency Down / Total Power Up      |

Copy and Paste into your project specification

**SPECIFICATION TEXT**  
*Copy and Paste into your project specification*

Type xx - XXM Xero XTA | 3.0 Square with Micro Prism diffuser, Xeramix I LED light engine, 3000°K, 50°C ambient temperature, L90 B10 14 hour life, 275Ma drive current. Efficacy of 512 lumens per watt delivered. Fitting comes complete with Speed-Connect joining system, Con Seal end plates and Lumiseal. Wire suspended with rollerball suspension system.

**RE - CONFIGURE THIS SPECIFICATION**  
 This project specification sheet has been generated with X Configurator. Click below to reconfigure and generate a new specification sheet.

[Click to re-configure](#)

---

ADELAIDE | AUCKLAND | BRISBANE | CHRISTCHURCH | DUNEDIN | HONG KONG  
 KUALA LUMPUR | SYDNEY | MELBOURNE | PERTH | USA | WELLINGTON

**XEROLIGHTING.COM**

to access the X-configurator please visit [www.xerolighting.com/xconfigurator](http://www.xerolighting.com/xconfigurator)

**General Specifications:**

LED luminaries shall employ ceramic based LED's with ZHAGA compliant boards  
 LED luminaries shall have removable gear trays  
 LED luminaries shall have upgradeable boards and drivers  
 LED luminaries shall have light leak free joining systems  
 LED Luminaires shall have 114,000 hour life to L90 B10 @ 35°C  
 LED Luminaires shall have colour spatial uniformity of 3 step macadam ellipse at end of life  
 LED luminaries shall have site adjustable drive current selection capability without the need for additional parts  
 LED Luminaires shall have thermal ambient temperature rating of 50°C



**XTA | 2.0 EDGE Square**  
indoor series IP20

# Mounting



Wire Suspended



Rod Suspended



Wall Mounted



Pendant

## XTA | 2.0 EDGE Square indoor series IP20

# meet the family

### XTA | 2.0 EDGE Beam

The XTA | 2.0 EDGE series is a wide body profile that has superior optics and Xero's patented Speed Connect system that enables truly "light leak free joins" and removable gear trays that can be upgraded in the future.



### XTA | 2.0 EDGE Recessed

The XTA | 2.0 EDGE series is a wide body profile that has superior optics and Xero's patented Speed Connect system that enables truly "light leak free joins" and removable gear trays that can be upgraded in the future.



### XTA | 2.0 EDGE Slot

The XTA | 2.0 EDGE series is a wide body profile that has superior optics and Xero's patented Speed Connect system that enables truly "light leak free joins" and removable gear trays that can be upgraded in the future.



General Enquiries: [E headoffice@xerolighting.com](mailto:E_headoffice@xerolighting.com) [W www.xerolighting.com](http://www.xerolighting.com) | To get in touch with your local Xero Distributor visit [www.xerolighting.com/contacts](http://www.xerolighting.com/contacts)

The information contained within this specification sheet is for general information purposes only. While Xero aspires to keep the information up to date and correct, we make no representations or warranties of any kind about the accuracy, reliability, suitability or availability with respect to this information, products, services, or graphics contained in this specification sheet for any purpose.

General enquiries  
E [headoffice@xerolighting.com](mailto:headoffice@xerolighting.com) W  
[xerolighting.com](http://xerolighting.com) To get in touch with your local  
Xero Distributor Visit [XEROContacts](#)



The information contained within this specification sheet is for general information purposes only. While Xero aspires to keep the information up to date and correct, we make no representations or warranties of any kind about the accuracy, reliability, suitability or availability with respect to this information, products, services, or graphics contained in this specification sheet for any purpose.