

XERO
TECHNOLOGY
ADVANCED XTA



XTA | 1.6 OPTIK Slot

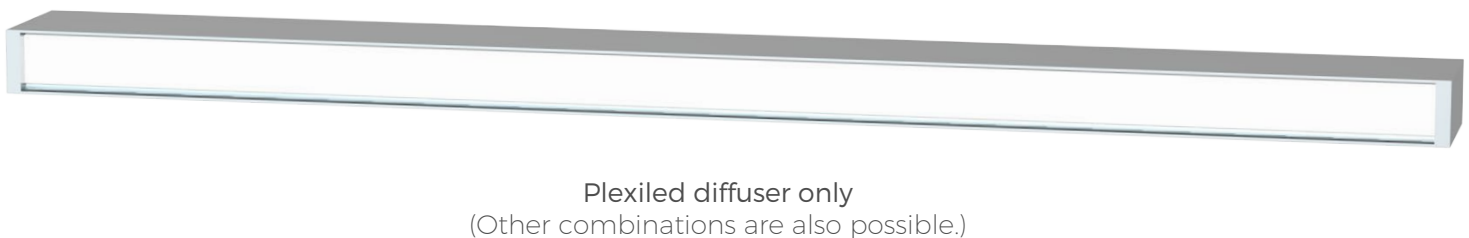
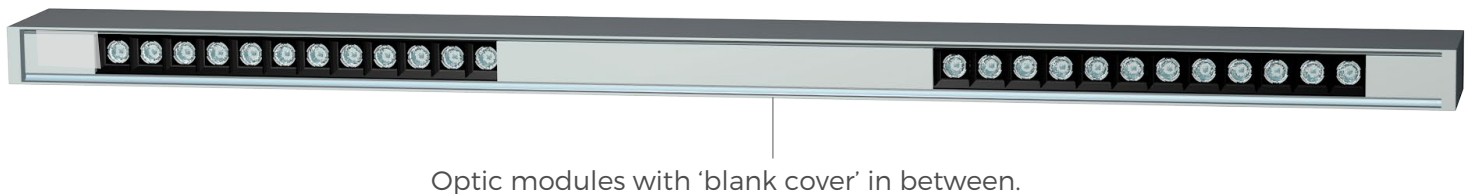
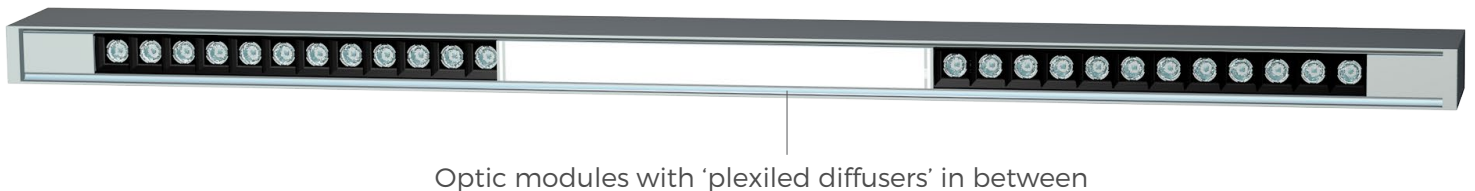
imperial

1.57" Wide x 3.54" High

DATA TABLE

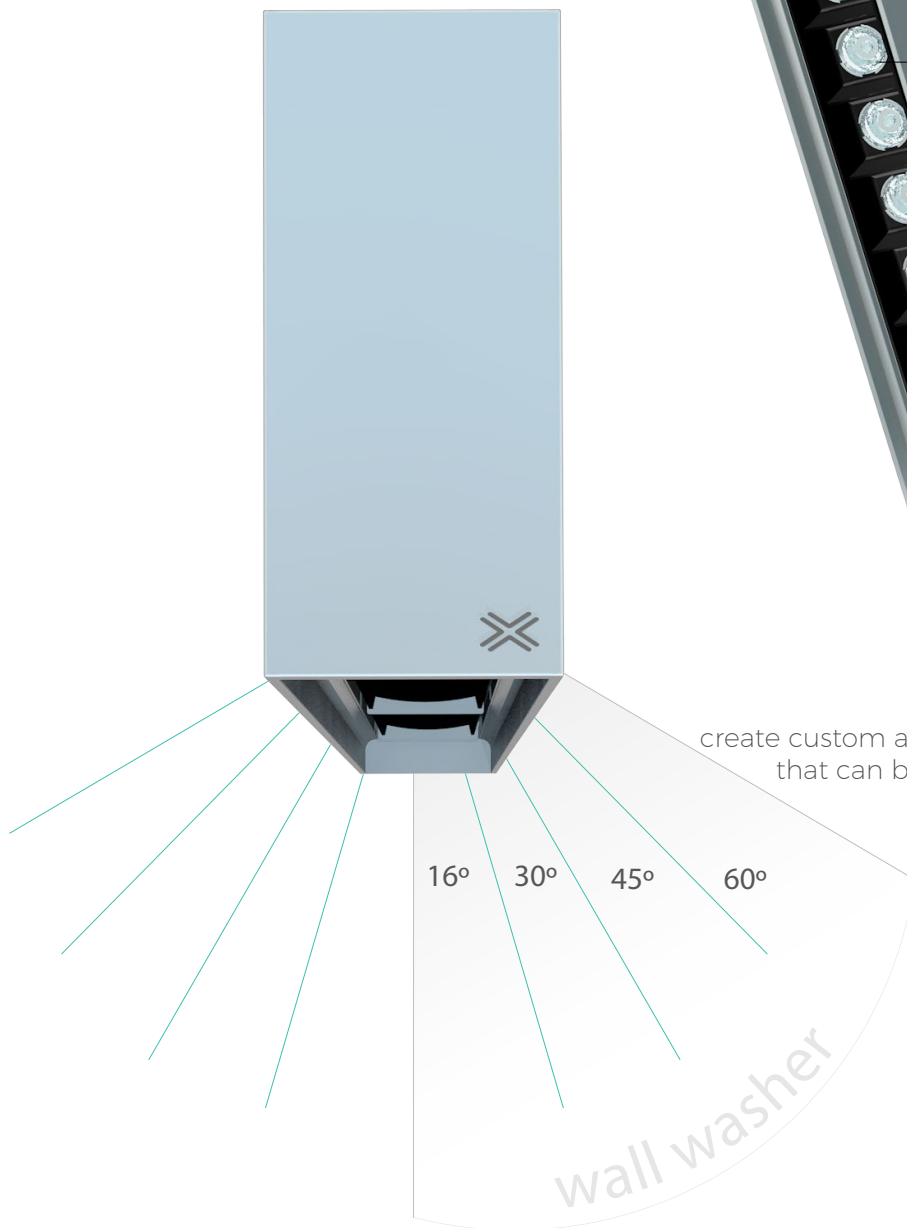
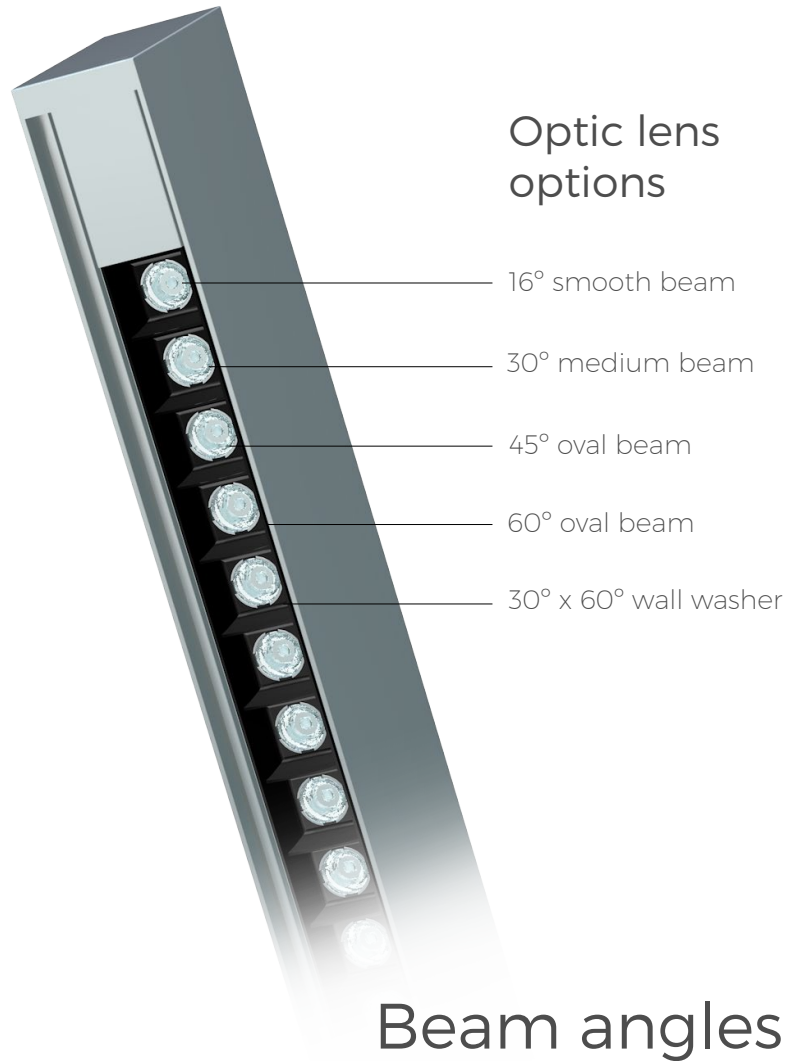
Output	CRI	80+
Warranty	Proformax	7 years
Electrical	Voltage input range	120 – 277V
	Control methods	Dimming options for white light: 0-10V, DALI, DMX Optional RGB / Sunset Diming control DMX or DALI XI
	Total harmonic distortion THD	9.8% max
	Approvals	UL / CE / CCC / AS:NZS / EMC
Physical	Dimensions	1.57" Wide x 3.54" High
	Weight	2.37 lbs average weight per foot
	Housing	Aluminium Extrusion with anodised or powder-coated finish Standard colours powder-coated: white/black/silver/ custom on request
	Diffuser	Frosted acrylic lens / Polycarbonate lens
	Optic module	Baffles available in black and white, optic distributions available in 16° / 30° / 45° / 60° and 30° x 60° wall wash
	Connections	Speed connect joining system with polarised electrical connection between sections
	Compatible ceiling type	Suitable for gyprock (drywall) ceilings, metal pan, concrete, timber and T-bar grid ceilings
	Mounting	Field adjustable rollerball wire suspensions / rod suspensions / wall mounting / surface mount
	Joiner options	Lit corner 90° / Cross 90° / Tee 90° / Straight 180° Join
	Operating temperatures	ProformaxS – (-13°F to 140°F)
	Environment	Dry indoor application only IP20
	Minimum length adjustment	5.51"
	LED Board types	ProformaxS boards in 5.51" / 11.02" / 22.0" lengths Zhaga compatible
	Optional Extras	Emergency packs

OPTIK profile configurations



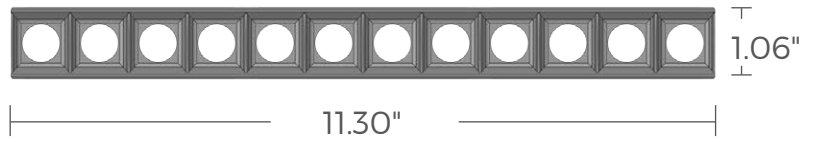
Individually selectable optics

The OPTIK module lenses come as standard with one variant lens per each module of 12. Although each lens can be individually configured and customised to suit your desired light configuration.



The OPTIK profile gives you the ability to create custom angles to suit specific design requirements that can be applied to various applications including retail, office and residential environments

dimensions of baffle



The OPTIK baffle can be arranged in a maximum of three modules then a minimum 1.96" cover plate is required.

accessories



sensors / daylight
harvesting



emergency packs

bend options



135°



cross 90°



tee 90°



custom



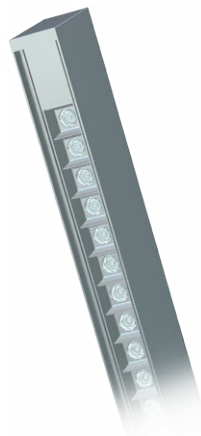
corner 90°



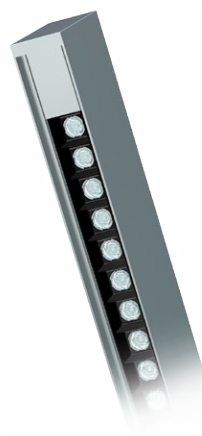
ceiling to wall

optics

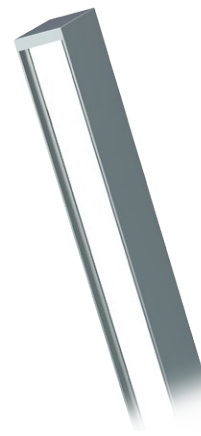
All XTA profiles come with many diffuser options for glare control in any application



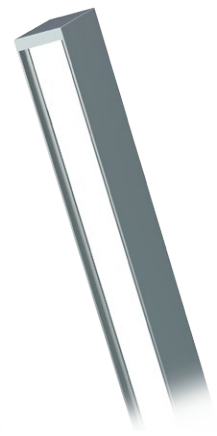
white baffle



black baffle



plexiled



polycarbonate