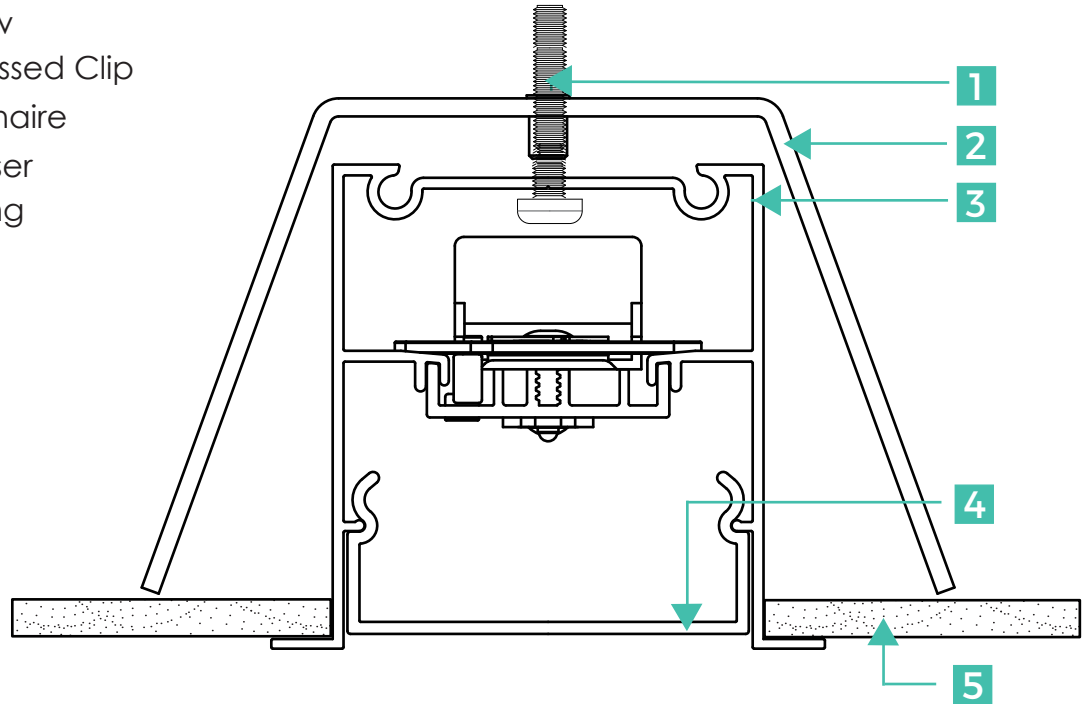


INSTALLATION INSTRUCTION

- 1 Screw
- 2 Recessed Clip
- 3 Luminaire
- 4 Diffuser
- 5 Ceiling



1

Recessed Clip and Luminaire

Suspension Plan

Note: Ensure ceiling construction can support luminaire weight

Determine mounting location

3

Ceiling opening width = $W + 7\text{mm}$

Ensure ceiling cut out is the correct length and width

4 Cutout length = length endcap to endcap + 7mm

Overall fitting length including width of flanges

4 Remove diffuser

5 Remove gear-tray

Step 1. Slide latch to unlock position
Step 2. Remove geartray

6

Ensure screws are at maximum extension

7

Make sure power is connected in ceiling while being placed into position

8

While unit has been lifted into place ensure clip can squeeze into ceiling cut out

9

Push screws in fully once unit is in place. Ensure recessed clip legs secure unit into ceiling

10

Tighten screw (s) ensuring clips are kept parallel and even. Do not over tighten

11

Replace geartray and reconnect power

12

Replace diffuser

WARNING

1. Ensure luminaire is kept horizontal whilst being lifted into ceiling.
2. If there is more than one section of luminaire insert each piece into ceiling separately and connect. Note: When installing the last section in a multiple section luminaire there is no joining pins or latch across

If more information is required please contact your local representative by going to xerolighting.com/contact or email us at headoffice@xerolighting.com