



XERO
TECHNOLOGY
INFRASTRUCTURE 

XTI | 3.0 Square IK 10+ | IP66

metric

80mm Wide x 80mm High

imperial

3.149" Wide x 3.149" High



XERO
TECHNOLOGY
INFRASTRUCTURE 

The industry's best profiles

Xero Linear Lighting Systems introduce the Xero Technology Infrastructure (XTI) series. XTI brings together the best available technology for any linear lighting system specifically designed for the infrastructure segment.

The XTI series uses Xero's exclusive boards and drivers - 'Xeramix 1' with an industry leading 10 year warranty that has unmatched colour quality throughout life includes combined HE / HO board with 114k hour life to L90 B10. Optional 'Xeramix R' available with 15 year warranty, 1M hours at L70 B10.

All XTI profiles are incrementally length adjustable by 25mm increments.

UL / CE / AUS/NZS standards approved Universal 120-277v input, site selectable drive current for variable output 'on-the-fly'. Partner this with the high end details such as no visible face fixings, white optic louvres and dot free diffusion options and excellent thermal tolerance. All systems can be supplied with Polycarbonate that allows IK10 impact kinetic rating and vandal proof fasteners.

XERO is truly linear lighting redesigned.



higher performance longer life

The XTI | 3.0 IP66 IK10+ Xero Linear Lighting System brings high-quality dot free illumination to exterior and infrastructure environments. Featuring the latest generation of LED technology, The XTI | 3.0 IP66 IK10+ is the perfect choice for rail, industrial and public spaces that require IP66 weather protection.

Xeramix LED light engines are LED boards that utilise ceramic based LED chips that provide outstanding light quality over the LIFE of the boards. The LED light engines have 114,000 hour life to L90 B10 @ 50°C. This performance is unmatched. For more information on the Xeramix LED light engines and the difference between plastic and ceramic LED's please visit xeramix.com

Xero Linear Lighting Systems extends an (industry leading) full 10 year warranty using Xeramix I light engines to the original purchaser for the XTI series of profiles.

For more information on warranty visit www.xerolighting.com/warranty



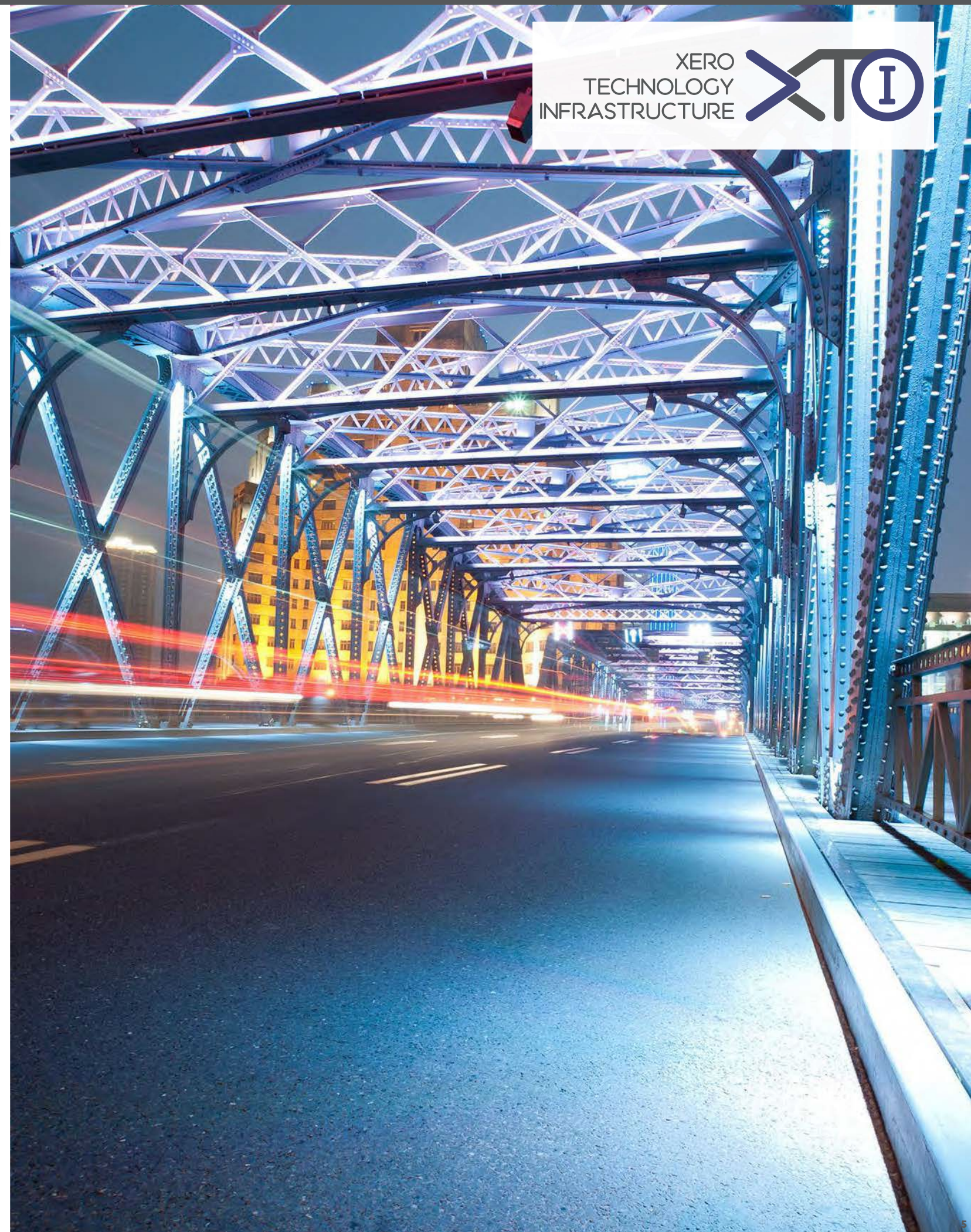
Xero Linear Lighting Systems also offer an optional 15 year warranty when using Xeramix R linear light engines to the original purchaser for the XTI series of profiles.

For more information on this outstanding optional warranty visit

www.xerolighting.com/warranty



General enquiries
E headoffice@xerolighting.com
W xerolighting.com
 To get in touch with your local Xero
 Distributor Visit www.xerolighting.com/contacts



XERO TECHNOLOGY INFRASTRUCTURE **XTI**

**XTI | 3.0 Square
IK10+ | IP66**



LED technology has rapidly advanced over the last decade with criteria of quality & quantity of light, efficiency, life and cost. The XERAMIX™ philosophy is targeting performance well within nominal specification to create luminaires in a class of their own.



Multi configuration arrays

Xeramix light engines are available in 25mm, 100mm, 280mm and 560mm lengths. These lengths derive from Xero's linear fixture algorithm, resulting in the ability to manufacture any luminaire length within 1mm increments.



Industry First

Xero XTA and XTI profiles are all backed by an industry leading 10 year warranty

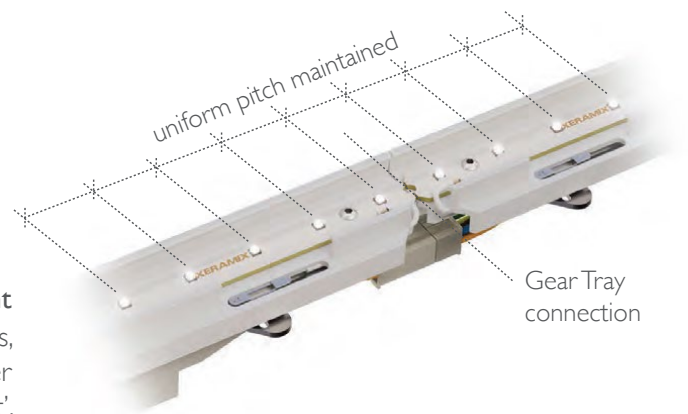
Drive current dipswitch

A simple switch configures the total luminaire wattage, lumen output and efficiency without the need to change components. Xeramix light engines have been engineered to support the broad range of drive currents.



Constant pitch, uniform light

LED pitch is maintained across multiple gear trays, creating a uniform 'dot free' appearance on the diffuser for a highly desirable, continuous 'ribbon of light'.



XERO TECHNOLOGY INFRASTRUCTURE **XTI**

**XTI | 3.0 Square
IK10+ | IP66**



LED technology has rapidly advanced over the last decade with criteria of quality & quantity of light, efficiency, life and cost. The XERAMIX™ philosophy is targeting performance well within nominal specification to create luminaires in a class of their own.



Multi configuration arrays

Xeramix light engines are available in 25mm, 100mm, 280mm and 560mm lengths. These lengths derive from Xero's linear fixture algorithm, resulting in the ability to manufacture any luminaire length within 1mm increments.



Industry First

Xero XTA and XTI profiles have an unsurpassed optional 15 year warranty

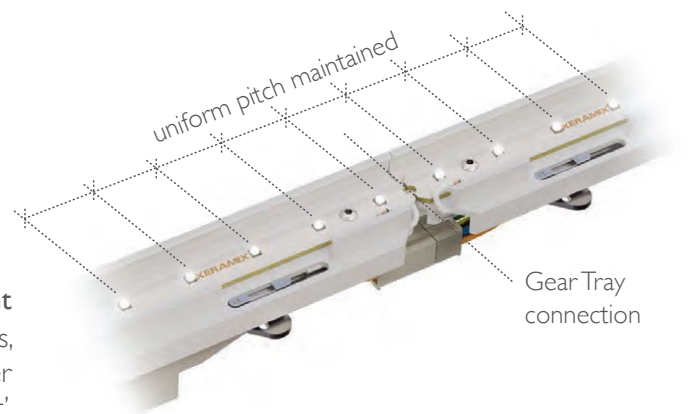
Drive current dipswitch

A simple switch configures the total luminaire wattage, lumen output and efficiency without the need to change components. Xeramix light engines have been engineered to support the broad range of drive currents.



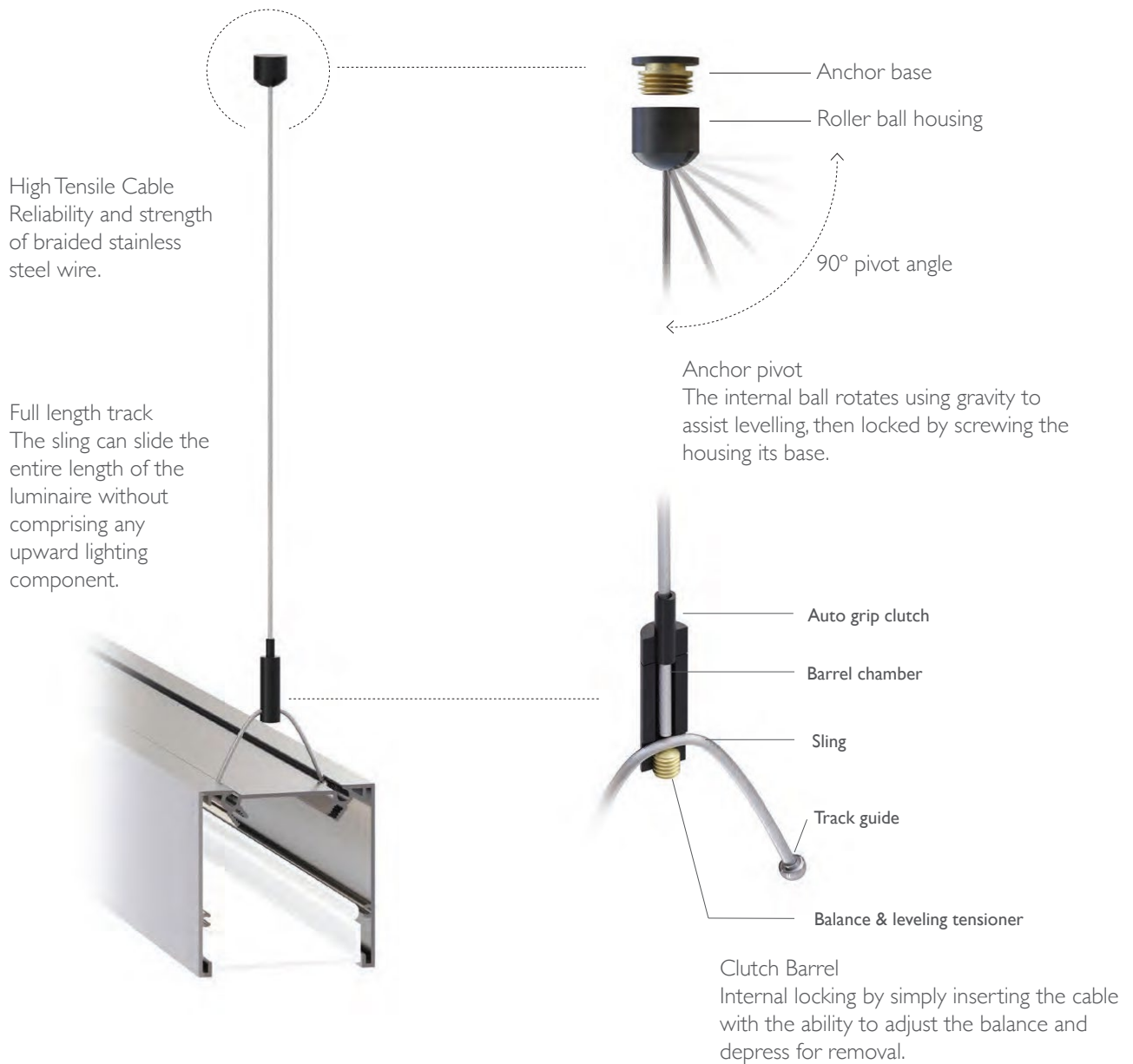
Constant pitch, uniform light

LED pitch is maintained across multiple gear trays, creating a uniform 'dot free' appearance on the diffuser for a highly desirable, continuous 'ribbon of light'.



Rollerball Suspension™

The smart suspension system that can be mounted on any surface, whether a flat or sloped ceiling, or even a wall. Height adjustment is done at the luminaire for fine tuning close to the ground. The flexibility of luminaire location allows complete freedom of lighting design.





XTI | 3.0 Square
IK 10+ | IP66

metric 80mm Wide x 80mm High

imperial 3.149" Wide x 3.149" High

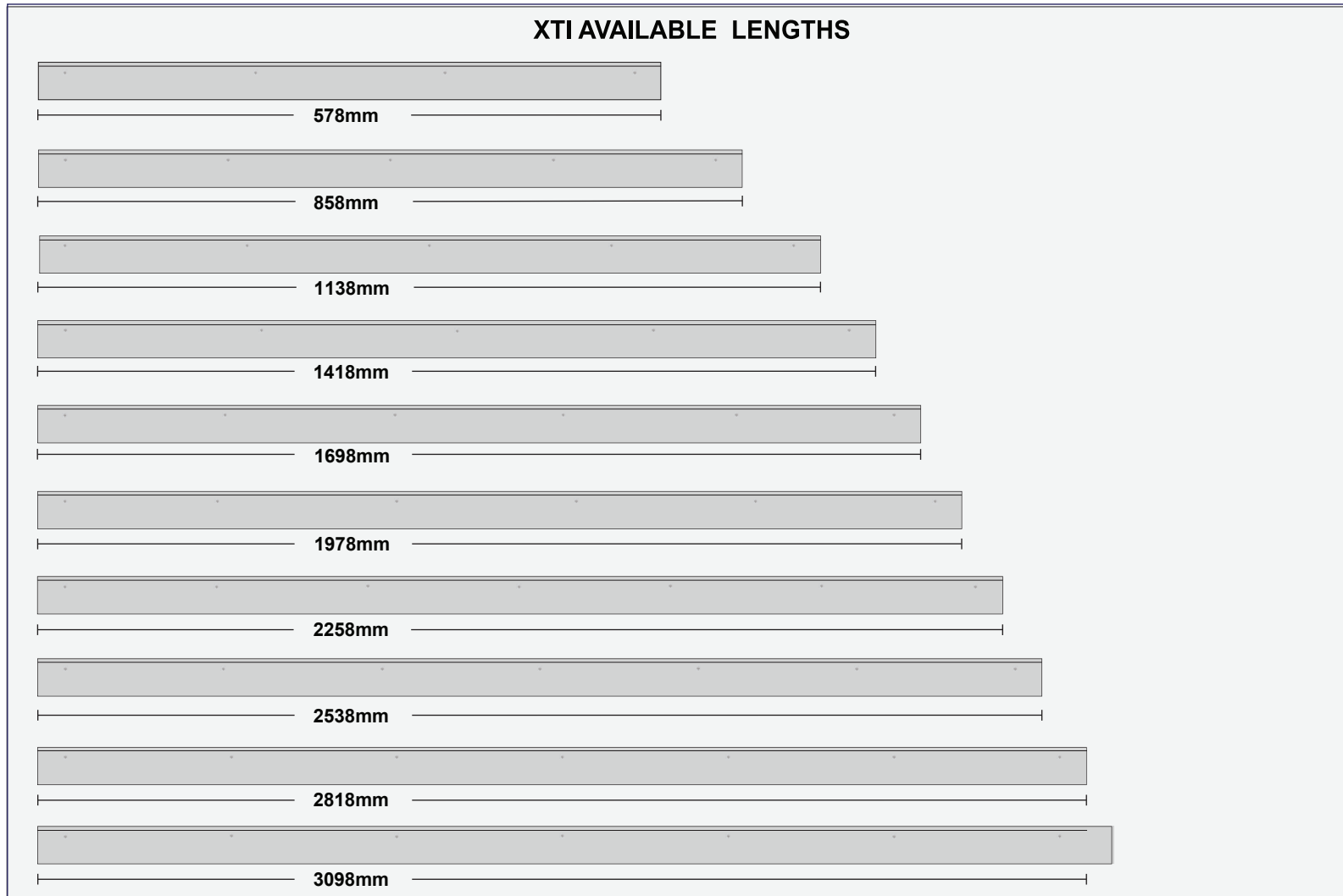
technical data

DATA TABLE

Output	4ft Length 1120mm	Luminous Flux (Delivered Lumens)	LO 1900	HO 3500	
	CRI		80+		
	Lumen Maintenance		114,000 hours [L90 B10 @ 50°C] 1M hours [L70 B10 @ 50°C]		
Warranty	Xeramix 1 10 years Xeramix R = 15 years				
Electrical	Power Consumption	Between 20 and 45w/m			
	Voltage input range	120 – 277V			
	Control methods	Dimming options for white light: 0-10V, DALI, DMX Optional RGB / Sunset Dimming control DMX or DALI XI			
	Total harmonic distortion THD	9.8% max			
	Approvals	UL / CE / CCC / AS:NZS / EMC			
Physical	Dimensions	80 X 80 mm			
	Weight per metre	4.4kg (9.70lbs) average weight			
	Housing	Aluminium Extrusion with anodised or powder-coated finish			
	Diffuser	Opaque Polycarbonate Diffuser / Clear Polycarbonate Diffuser / Parabolic Louvre			
	Connections	Optional polarised electrical connection between sections			
	Compatible ceiling type	Suitable for gyprock (drywall) ceilings, metal pan, concrete, timber and T-bar grid ceilings			
	Mounting	Field adjustable rollerball wire suspensions / rod suspensions / wall mounting / surface mount / custom Mounting			
	Joiner options	90°/ Straight / 180°/ Custom			
	Operating temperatures	-25°C to 50°C (-13°F to 140°F)			
	Environment	IP66 (not in direct sunlight) (diffuser must not face upwards)			
	Minimum length adjustment	25mm			
	LED board types	Xeramix 1 and Xeramix R Boards and drivers in 25mm compatible / 100mm 280mm and 560mm Zhaga lengths			
	IK rating	IK10+			
	Vandal proof	Available with anti-vandal fasteners			
	Optional extras	Lanyards / Emergency packs / Camera / Environmental plugs / Thermal throttle / IOT connectivity			

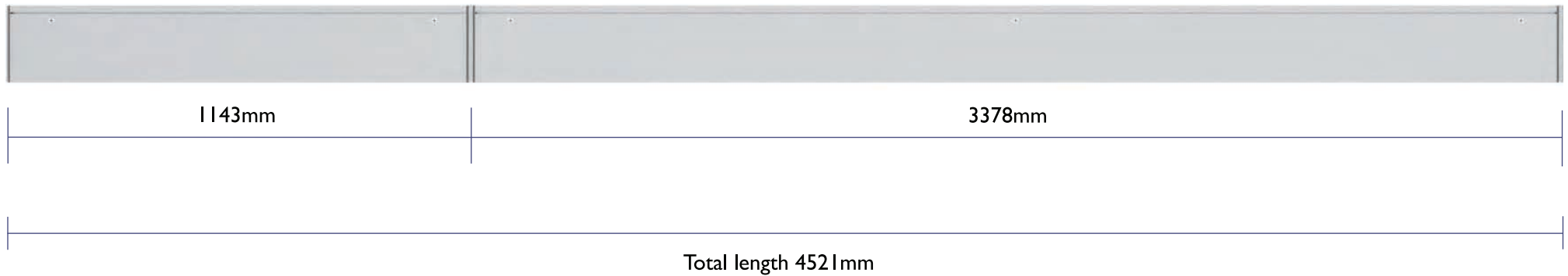


XTI AVAILABLE LENGTHS



DESCRIPTION	LENGTHS										
total luminaire length in mm	578	858	1138	1418	1698	1978	2258	2538	2818	3098	3378
total luminaire length in inches	23	34	45	56	67	78	89	99	111	122	133
'560 board multiples	1.0	1.5	2.0	2.5	2.0	3.5	4.0	4.5	4.5	5.5	6.0

EXAMPLE OF STANDARD LENGTH COMBINATION



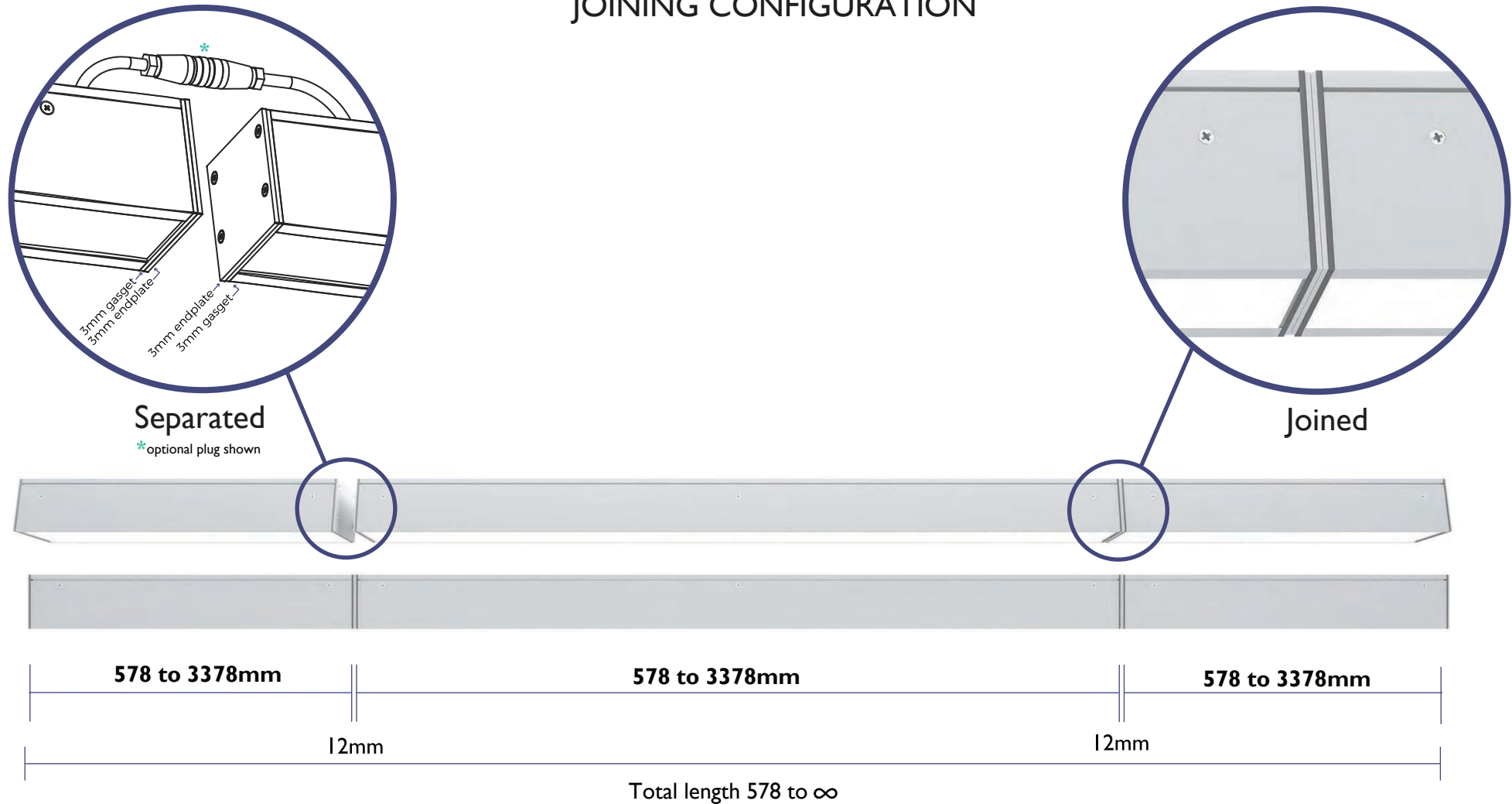
CREATING LENGTHS WITH XTI | 3.0 Square IP66 IK10+

The XTI | 3.0 IP66 IK10+ set lengths can be coupled together in any combination to achieve the desired length.
Note: custom lengths are also available – please consult your local Xero office for information

CUSTOM LENGTHS

Custom lengths are available in 0.984" (25mm) increments

JOINING CONFIGURATION



General Enquiries: [E headoffice@xerolighting.com](mailto:headoffice@xerolighting.com) [W www.xerolighting.com](http://www.xerolighting.com) | To get in touch with your local Xero Distributor visit www.xerolighting.com/contact

The information contained within this specification sheet is for general information purposes only. While Xero aspires to keep the information up to date and correct, we make no representations or warranties of any kind about the accuracy, reliability, suitability or availability with respect to this information, products, services, or graphics contained in this specification sheet for any purpose.

XERO TECHNOLOGY INFRASTRUCTURE **XTI**

XTI | 3.0 Square
IK10+ | IP66

Optical control

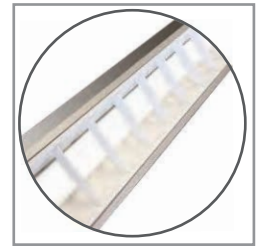
XTI profiles come with many diffuser options for glare control in any application



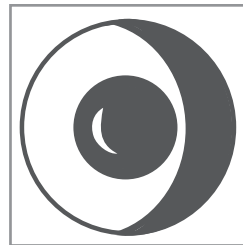
Polycarbonate



Semi-specular
Louvre



Optic white
louvre



sensors / daylight
harvesting



emergency packs



pa speaker



ewis speaker



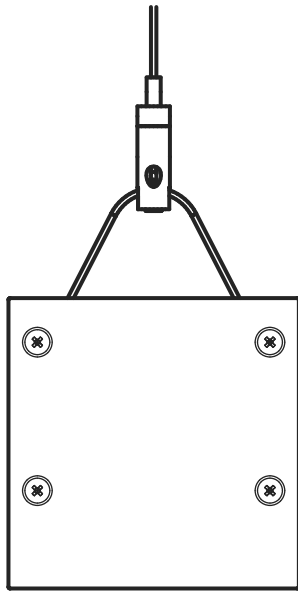
smoke detector



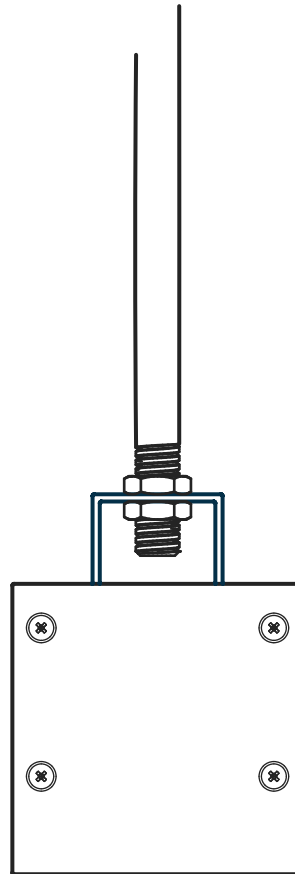
camera



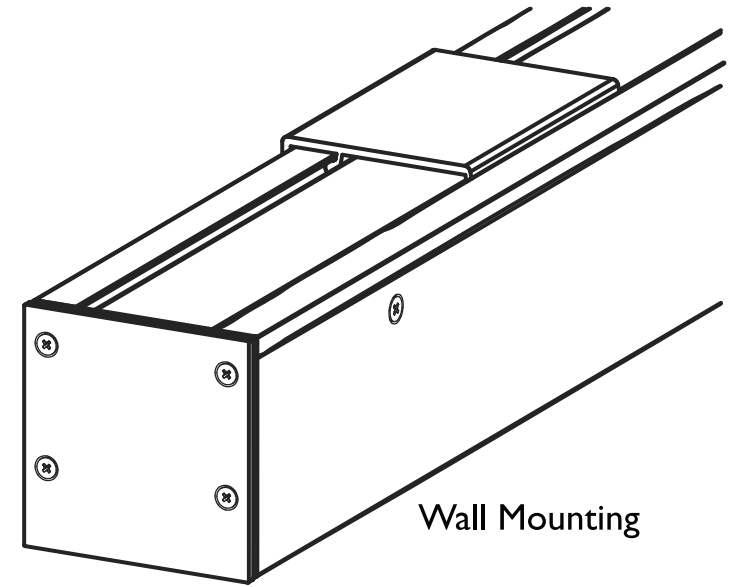
MOUNTING



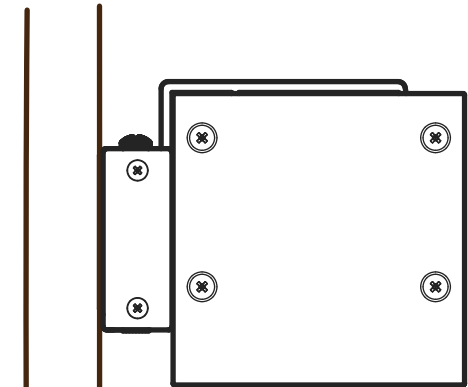
Wire Suspension



Rod Suspension



Wall Mounting



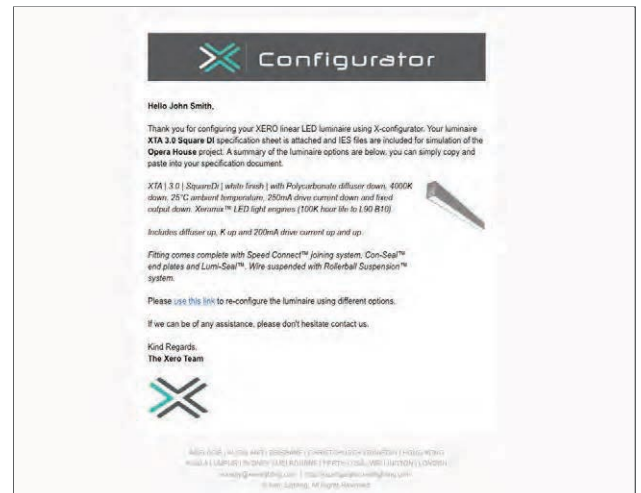
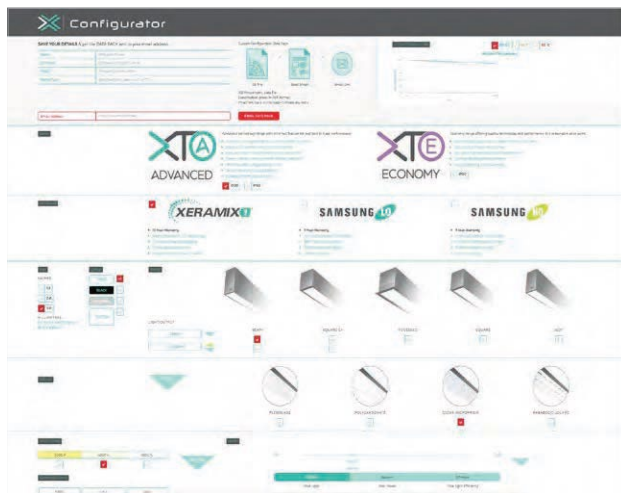
Wall Mounting
Side View

XERO TECHNOLOGY INFRASTRUCTURE **XTI**

XTI | 3.0 Square
IK10+ | IP66



The Xero Configurator allows you to design and build your customised lighting system. To ensure that your profile specifically caters to your project application follow the simple 8 step build process to obtain your unique DNA code. Select your profile, choose your colour, length, gear tray, output, colour temperature, mounting requirement and choose from the selection of extras



to access the X-configurator please visit www.xerolighting.com/xconfigurator

General Specifications:

LED Luminaires shall have thermal ambient temperature rating of 50°C
 LED luminaires shall have site adjustable drive current selection capability without the need for additional parts
 LED Luminaires shall have colour spatial uniformity of 3 step macadam ellipse at end of life | 14,000 hour life to L90 B10 @ 35°C
 LED luminaires shall have Thermal Throttle to prevent over temperature
 LED luminaires shall have upgradeable boards and drivers
 LED luminaires shall have removable gear trays with Cam locks
 LED luminaires shall employ ceramic based LED's with ZHAGA compliant boards
 LED Luminaires shall have a minimum 10 year warranty



General enquiries
E headoffice@xerolighting.com W xerolighting.com
To get in touch with your local Xero
Distributor Visit www.xerolighting.com/contact



The information contained within this specification sheet is for general information purposes only. While Xero aspires to keep the information up to date and correct, we make no representations or warranties of any kind about the accuracy, reliability, suitability or availability with respect to this information, products, services, or graphics contained in this specification sheet for any purpose.