




XTA | 2.5 LOOP BEAM

Size: 2.79" x 5.11"



Wire or Rod Suspended
Surface Mounted
Removable Diffusers
Light leak Free
Endplates and Joins

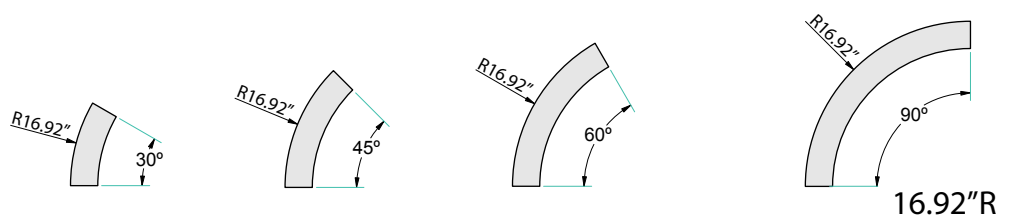
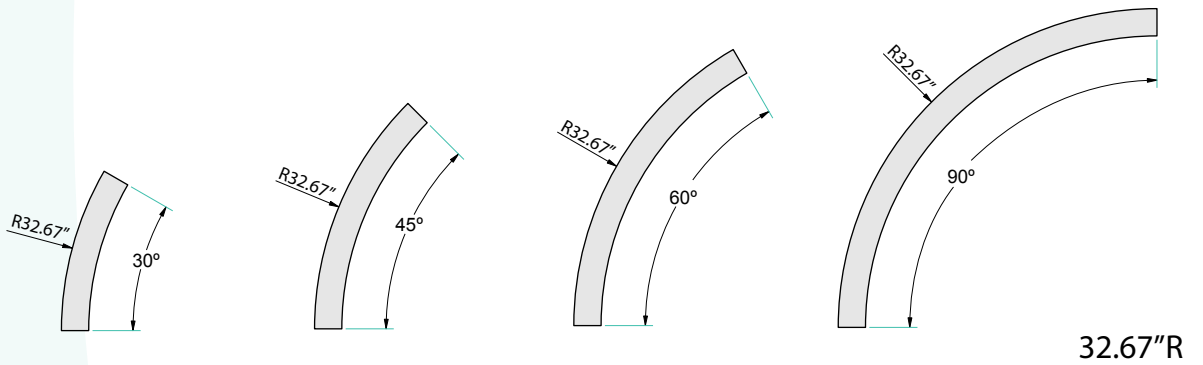
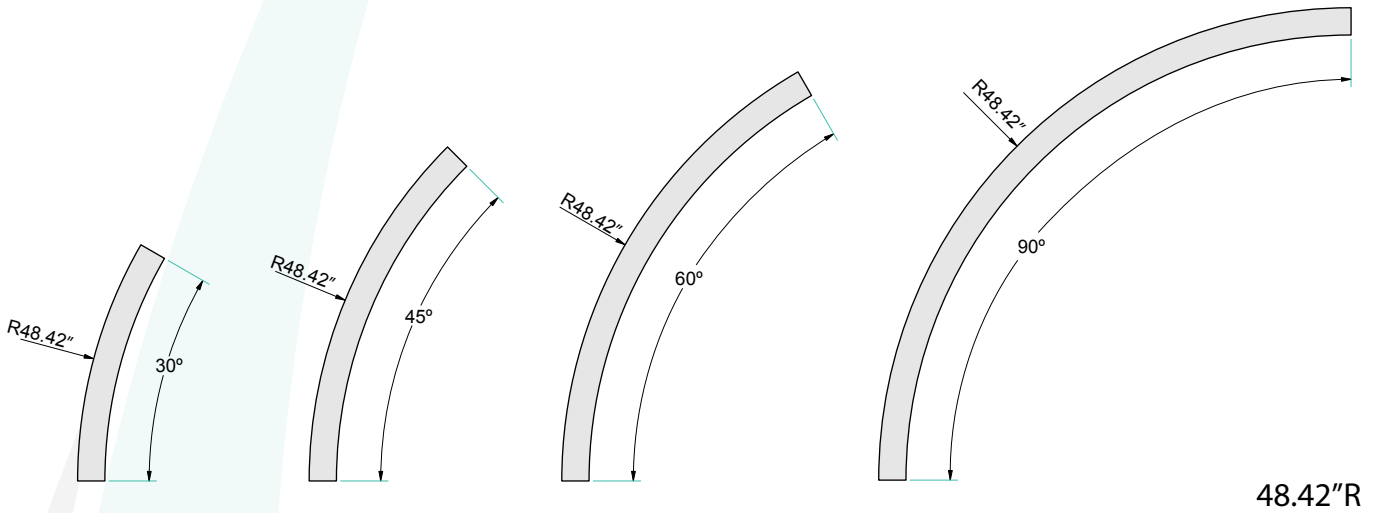
DATA TABLE

| | | |
|-------------------|-------------------------------|---|
| Output | CRI | 80+ |
| Warranty | Proformax | 7 years |
| Electrical | Voltage input range | 120 – 277V |
| | Control methods | Dimming options for white light: 0-10V, DALI, DMX Optional RGB / Sunset Dimming control DMX or DALI XI |
| | Total harmonic distortion THD | 9.8% max |
| | Approvals | UL / CE / CCC / AS:NZS / EMC |
| Physical | Dimensions | 2.79" Wide x 5.11" High |
| | Weight | 3.46 Lbs weight per foot |
| | Housing | Aluminium Extrusion with anodised or powder-coated finish Standard colours powder-coated: white/black/silver/ custom on request |
| | Diffuser | Polycarbonate Opal Diffuser/ Clear Polycarbonate Diffuser |
| | Connections | Speed connect joining system with polarised electrical connection between sections |
| | Compatible ceiling type | Suitable for drywall ceilings, metal pan, concrete, timber and T bar grid ceilings |
| | Mounting | Field adjustable rollerball wire suspensions / rod suspensions / wall mounting / surface mount |
| | Bend Radii | 16.92"R / 32.07"R / 48.42"R as standard with custom radii available |
| | Mitre Bend options | Lit corner 90° Cross 90° Tee 90° Straight 180° (No unlit) |
| | Endplate Options | Conseal flat or optional curved end plates |
| | Operating temperatures | ProformaxS – (-13°F to 140°F) |
| | Environment | Dry indoor application only IP20 |
| | Minimum length adjustment | 5.51" |
| | LED Board types | ProformaxS boards in 5.51" / 11.02" / 22.0" lengths Zhaga compatible |
| Optional Extras | Emergency packs | |

XTA | 2.5 LOOP BEAM

Standard Bend Options

(*Any radii available above 11.81" is also possible)

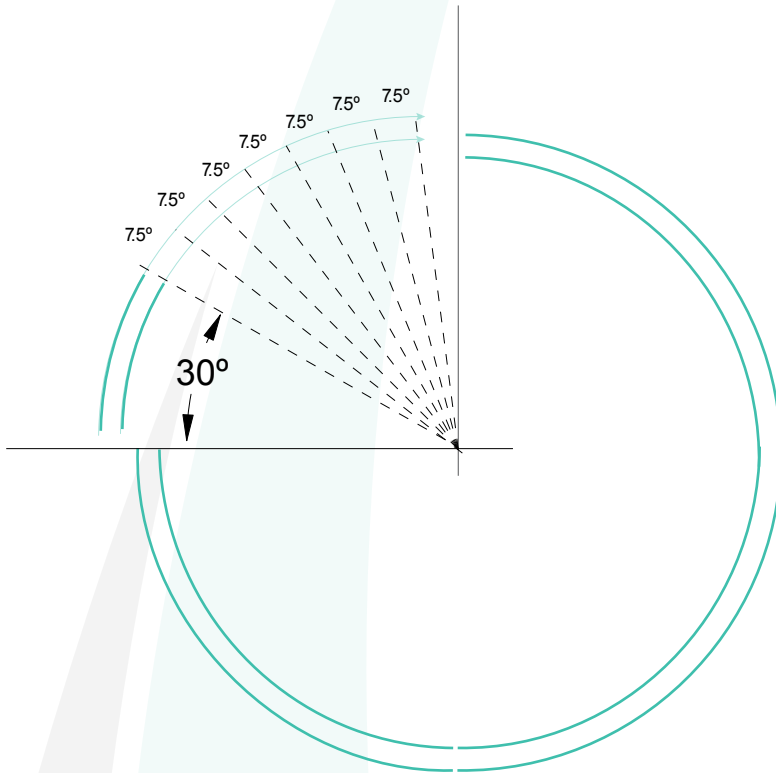


*Other custom radii available on request

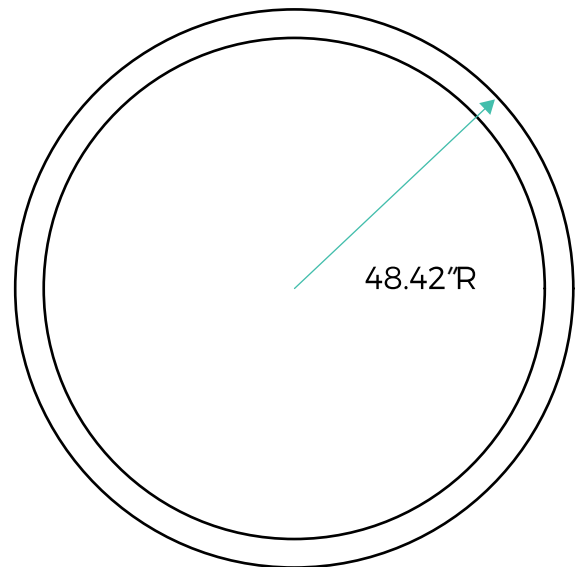
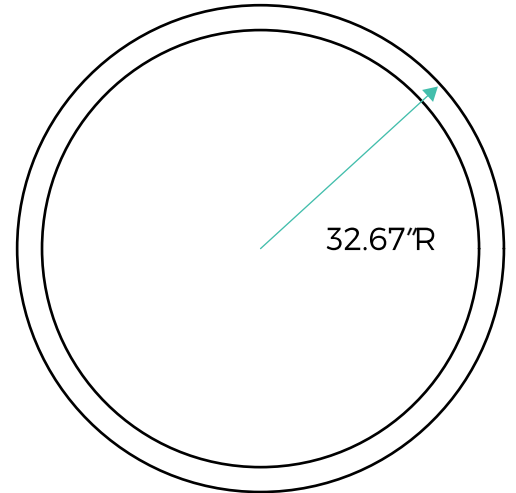
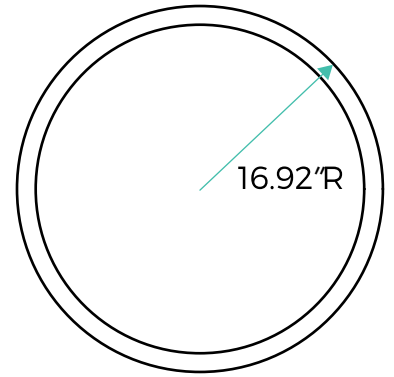
All radii bends can have integral drivers provided they join a straight section or are ~ 48.42"R

XTA | 2.5 LOOP BEAM

Standard Arc Options

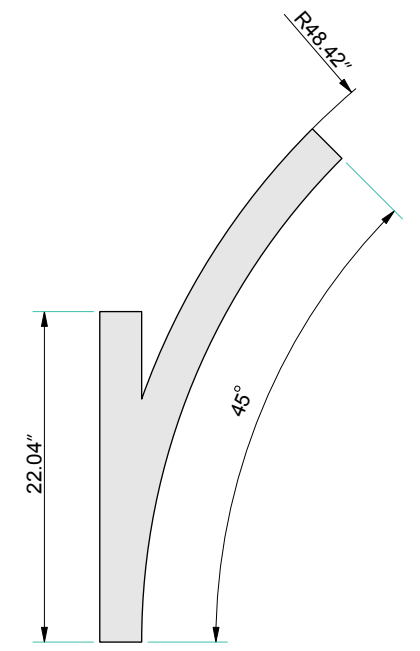
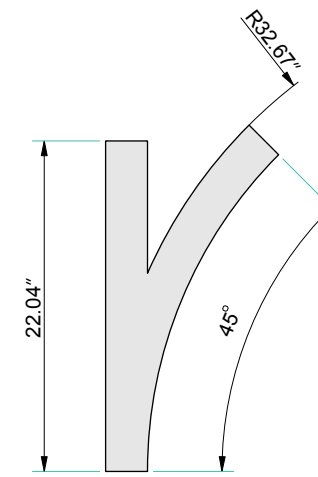
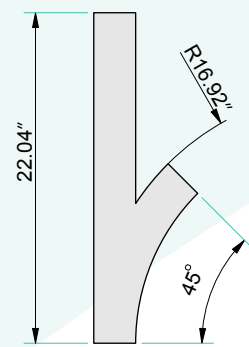


Minimum 30° segment
then each segment can be
increased in 7.5° increments
Arc segments below
48.42'R have remote drivers

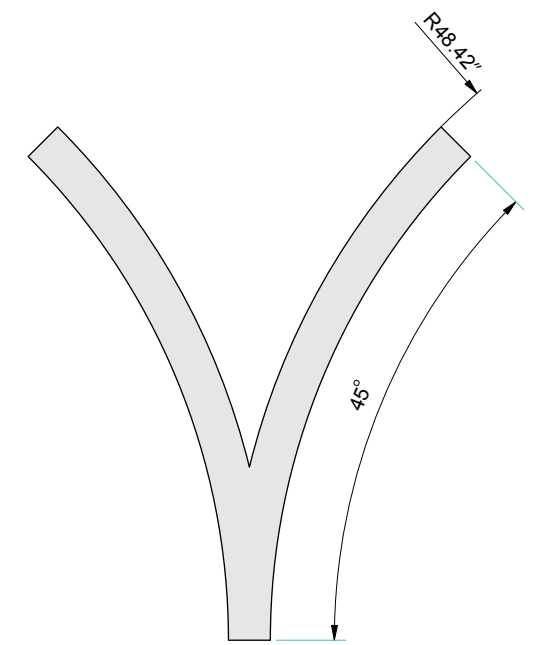
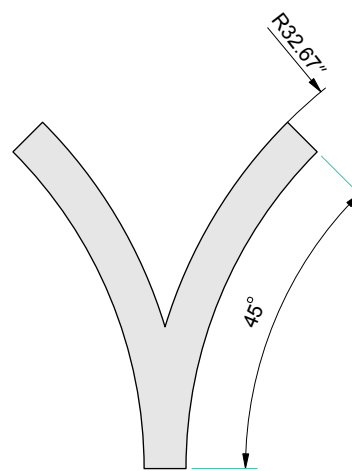
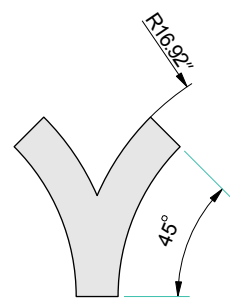


Other options available on request

XTA | 2.5 LOOP BEAM Standard Connections



Y Bends



V Bends

Other options available on request

Technologies

First of its kind light leak free system

There are no light leaks in the usual places like end plates, diffuser expansion gaps and at joins where two or more pieces are connected together.

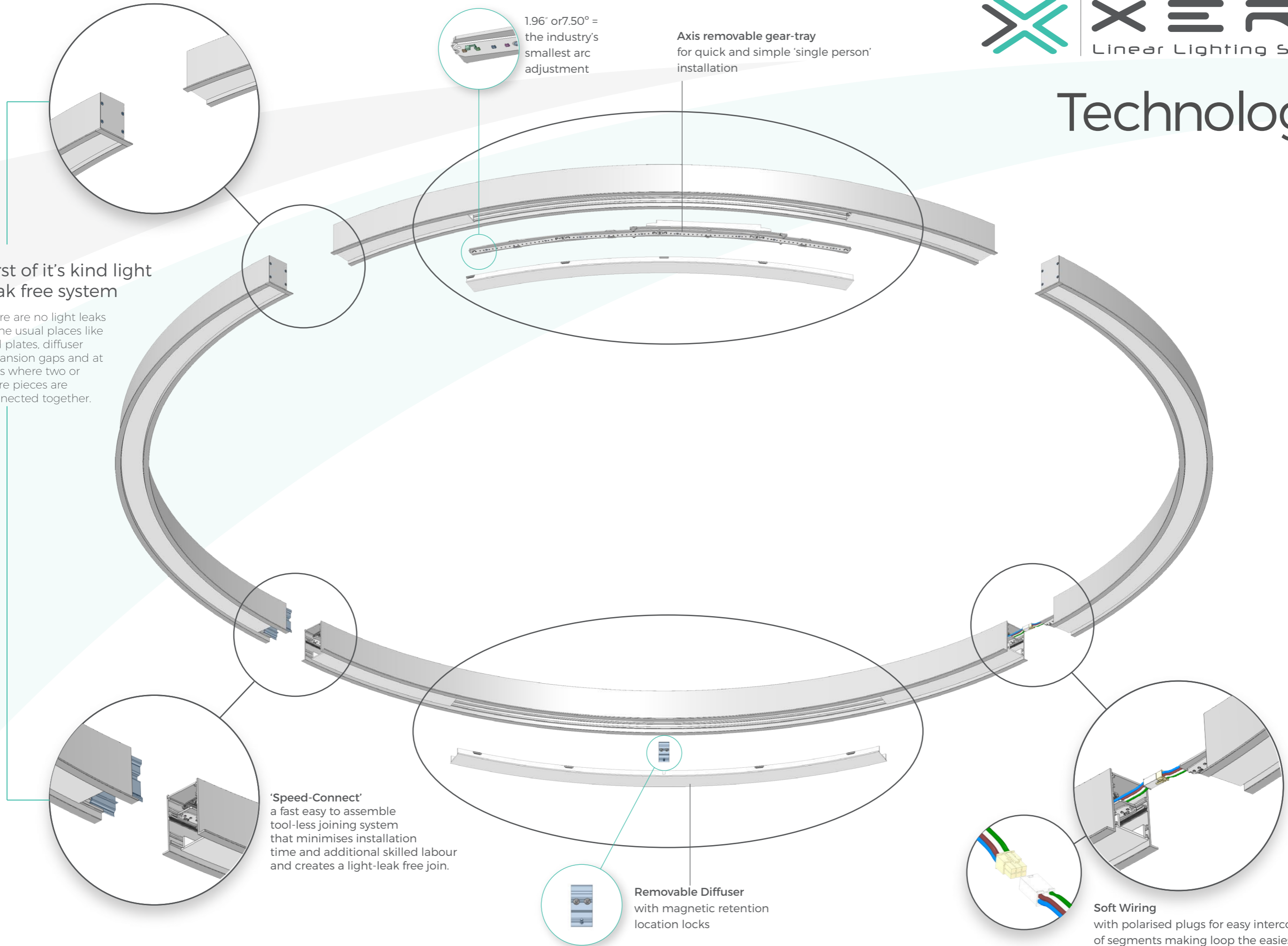
1.96" or 7.50° = the industry's smallest arc adjustment

Axis removable gear-tray for quick and simple 'single person' installation

'Speed-Connect' a fast easy to assemble tool-less joining system that minimises installation time and additional skilled labour and creates a light-leak free join.

Removable Diffuser with magnetic retention location locks

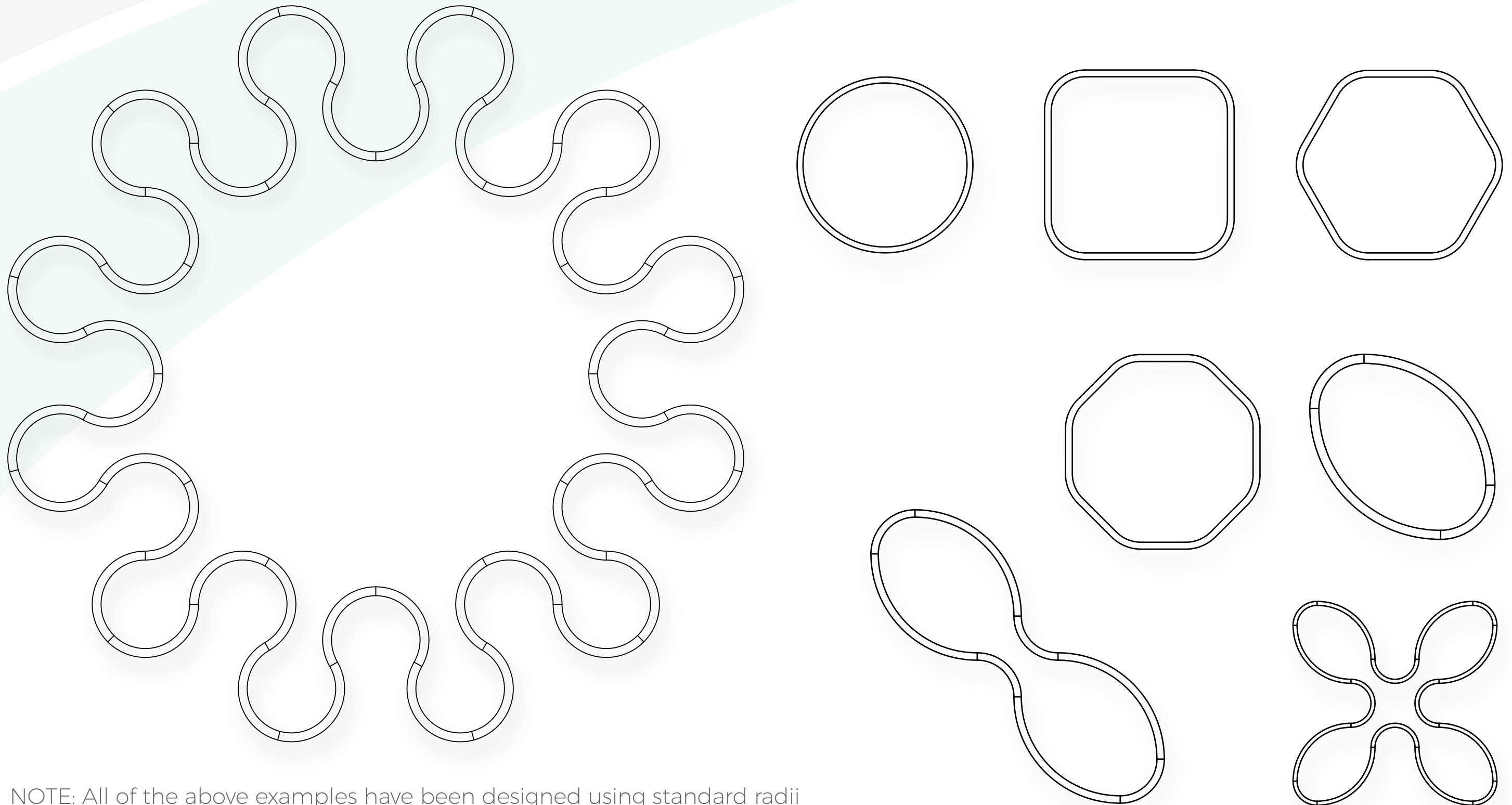
Soft Wiring with polarised plugs for easy interconnection of segments making loop the easiest curved profile on the market to install



XTA | 2.5 LOOP BEAM

Some examples of Shapes and Sizes

The LOOP series has the ability to form myriad of shapes and sizes from simple curved corners to the most complex configuration only limited by your imagination



NOTE: All of the above examples have been designed using standard radii


XTA | 2.5 LOOP BEAM

Install Template

Xero Loop profiles come with the mounting templates that allow for easy installation.

The template should be assembled on the floor and the position in the room checked against the reflected ceiling plan then suspension positions should be laser transferred to the ceiling for accurate positioning before installing. Individual sections 'click' together to create an exact template of the actual luminaire.

Ease of installation is just another standard from the leader in linear lighting innovation.



Shape illustrated is an example only.
Templates are supplied for all individual designs and shapes