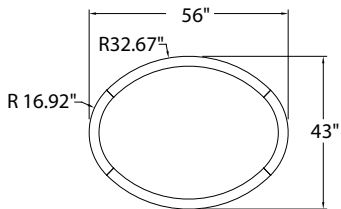
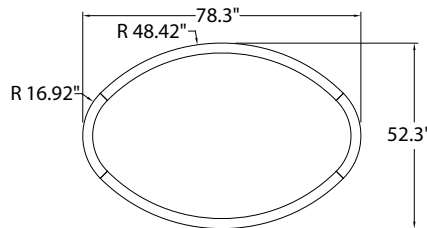




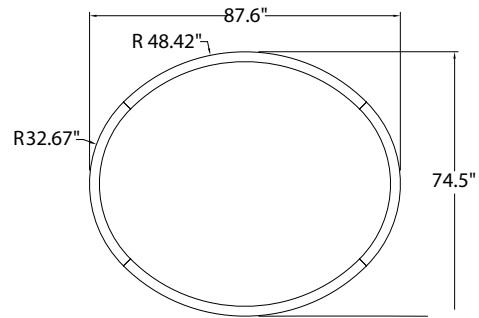
XTA | 2.0 Ellipse Recessed 56.1"  
Run Length 155.8"



XTA | 2.0 Ellipse Recessed 78.3"  
Run Length 205.3"



XTA | 2.0 Ellipse Recessed 87.6"  
Run Length 254.8"



### DATA TABLE

|                         |           |  |              |
|-------------------------|-----------|--|--------------|
| Optic Module LED Engine | Proformax | CRI  | 90+          |
|                         |           | Lumen Maintenance  | 82,000 Hours |
| Warranty                |           | 7 years  |              |
| Dimensions              |           | (Profile size 2.79" x 5.11") Ellipse sizes - 56.1" x 43" / 78.3" x 52.3" / 87.3" x 74.5"   |              |
| Weight                  |           | XTA   2.5 Ellipse Recessed 56.1" (27.8lbs) / XTA   2.5 Ellipse Recessed 78.3" (39.2lbs) / XTA   2.5 Ellipse Recessed 87.6" (42.8lbs) |              |
| IP Rating               |           | IP20 (dry indoor application only)   |              |
| Compatible ceiling type |           | Suitable for (drywall) ceilings, metal pan, concrete, timber and T-bar grid ceilings   |              |
| Mounting                |           | Wire suspensions, rod suspensions, surface mounting, ceiling mounting  |              |

To create fully customisable variations of these profiles go to -

<https://xerolightingusa.com/products/xta-2-5-loop-recessed/>

XTA | 2.5 Ellipse Recessed  
specification sheet

