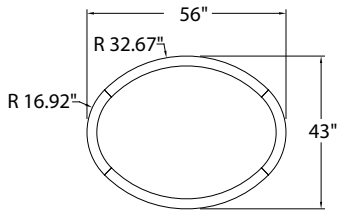
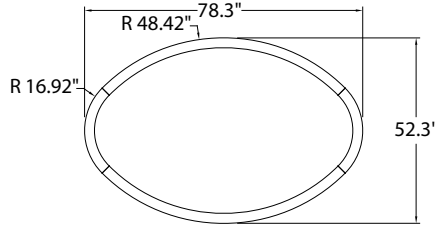




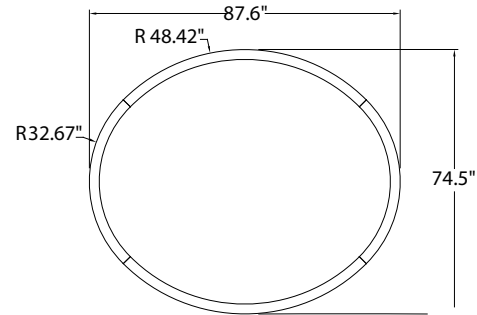
XTA | 2.0 Ellipse Slot 56.1"
Run Length 155.8"



XTA | 2.0 Ellipse Slot 78.3"
Run Length 205.3"



XTA | 2.0 Ellipse Slot 87.6"
Run Length 254.8"



DATA TABLE

Optic Module LED Engine	Proformax	CRI	90+
		Lumen Maintenance	82,000 Hours
Warranty	7 years		
Dimensions	(Profile size 2.79" x 5.11") Ellipse sizes - 56.1" x 43" / 78.3" x 52.3" / 87.3" x 74.5"		
Weight	XTA 2.5 Ellipse Slot 56.1" (27.8lbs) / XTA 2.5 Ellipse Slot 78.3" (39.2lbs) / XTA 2.5 Ellipse Slot 87.6" (42.8lbs)		
IP Rating	IP20 (dry indoor application only)		
Compatible ceiling type	Suitable for (drywall) ceilings, metal pan, concrete, timber and T-bar grid ceilings		
Mounting	Wire suspensions, rod suspensions, surface mounting, ceiling mounting		

To create fully customisable variations of these profiles go to -

<https://xerolightingusa.com/products/xta-2-5-loop-slot/>

General Enquiries: [E headoffice@xerolighting.com](mailto:headoffice@xerolighting.com) [W www.xerolightingusa.com](http://www.xerolightingusa.com) | To get in touch with your local Xero Distributor visit xerolightingusa.com/contact

The information contained within this specification sheet is for general information purposes only. While Xero aspires to keep the information up to date and correct, we make no representations or warranties of any kind about the accuracy, reliability, suitability or availability with respect to this information, products, services, or graphics contained in this specification sheet for any purpose.