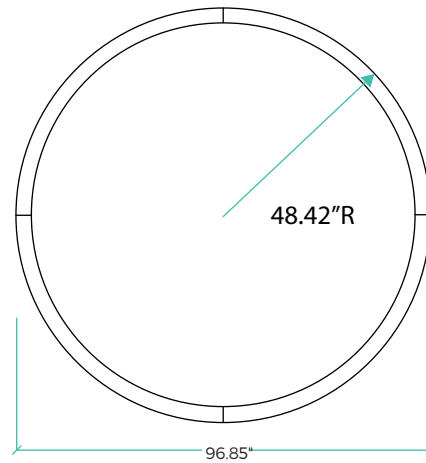
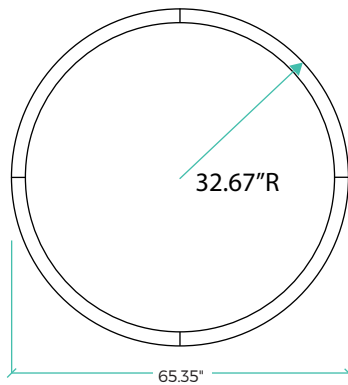
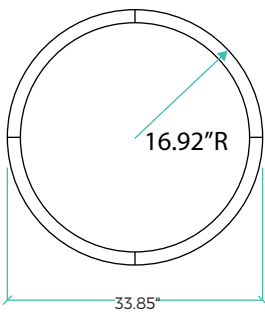


XTA | 2.5 Orbit Beam 33.85"
Run Length 106.37"

XTA | 2.5 Orbit Beam 65.35"
Run Length 205.31"

XTA | 2.5 Orbit Beam 96.85"
Run Length 304.25"



DATA TABLE

Optic Module LED Engine	Proformax	CRI	90+
		Lumen Maintenance	82,000 Hours
Warranty		7 years	
Dimensions		(Profile size 2.79" x 5.11") Beam sizes - 33.85" x 33.85" / 65.36" x 65.35" / 96.85" x 96.85"	
Weight		XTA 2.5 Ellipse Beam 16.92" 29lbs / XTA 2.5 Ellipse Beam 32.67" 56lbs XTA 2.5 Ellipse Beam 96.85" 83.7lbs	
IP Rating		IP20 (dry indoor application only)	
Compatible ceiling type		Suitable for (drywall) ceilings, metal pan, concrete, timber and T-bar grid ceilings	
Mounting		Wire suspensions, rod suspensions, surface mounting, ceiling mounting	

To create fully customisable variations of these profiles go to -

<https://xerolighting.com/products/xta-2-5-loop-beam/>

XTA | 2.5 Orbit Beam
specification sheet

