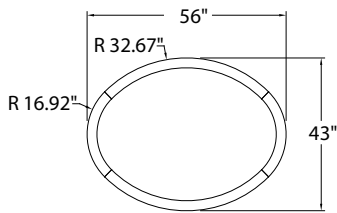
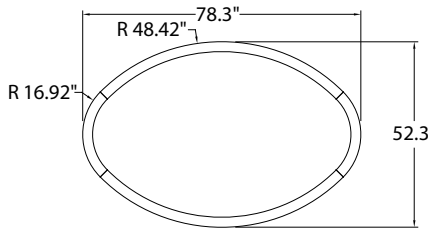




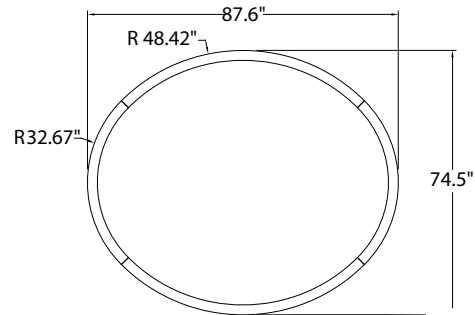
XTA | 2.0 Ellipse Recessed 56.1"  
Run Length 155.8"



XTA | 2.0 Ellipse Recessed 78.3"  
Run Length 205.3"



XTA | 2.0 Ellipse Recessed 87.6"  
Run Length 254.8"



### DATA TABLE

Optic Module LED Engine	Proformax	CRI	90+
		Lumen Maintenance	82,000 Hours
Warranty		7 years	
Dimensions		Profile size 2.36" (with flange 3.38" wide) x 3.93" Ellipse sizes - 56.1" x 43" / 78.3" x 52.3" / 87.6" x 74.5"	
Weight		XTA   2.0 Ellipse Recessed 56.1" (21.4lbs) / XTA   2.0 Recessed Slot 78.3" (28.2lbs) / XTA   2.0 Ellipse Recessed 87.6" (34.2lbs)	
IP Rating		IP20 (dry indoor application only)	
Compatible ceiling type		Suitable for (drywall) ceilings, metal pan, concrete, timber and T-bar grid ceilings	
Mounting		Wire suspensions, rod suspensions, surface mounting, ceiling mounting	

To create fully customisable variations of these profiles go to -

<https://xerolighting.com/products/xta-2-0-loop-slot/>

XTA | 2.0 Ellipse Recessed  
specification sheet

