

# XTA | 2.0 LoopSlot

Metric: 60x80mm  
Imperial: 2.362" x 3.149"

- Wire or Rod Suspended
- Surface Mounted
- Removable Diffusers
- Light Leak Free Endplates & Joins





INTRODUCING

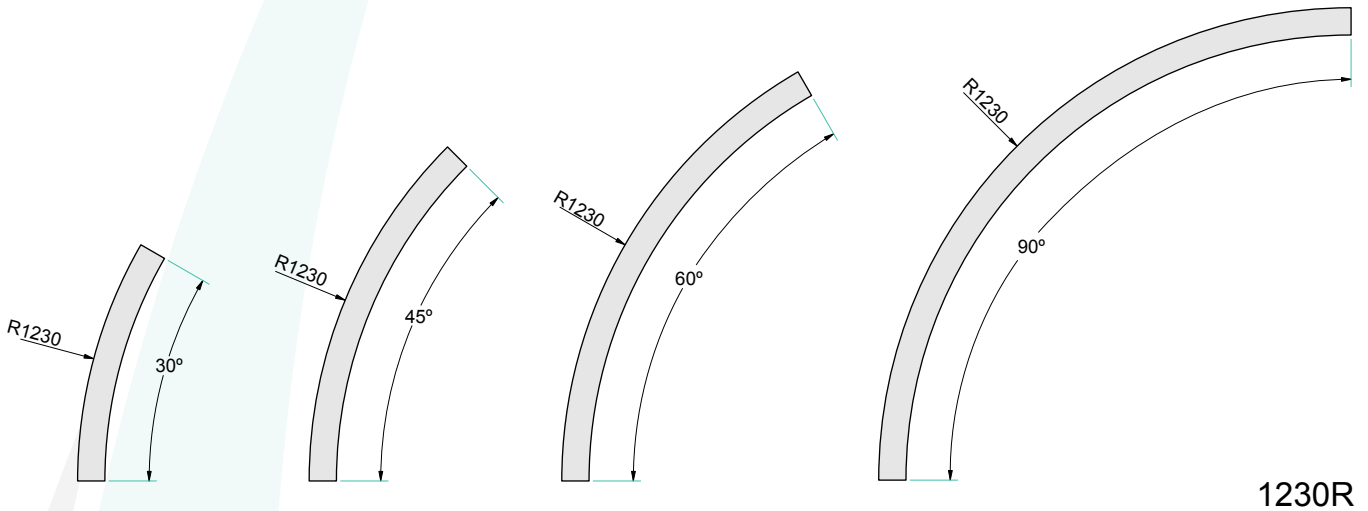
## XTA | 2.0 LOOP SLOT

Xero Linear Lighting Systems presents the new XTA 2.0 LOOP Slot incorporating all the technical features of our industry leading XTA range. The XTA 2.0 LOOP Slot profile allows you the ability to form myriad of shapes and sizes from simple curved corners to the most complex configuration only limited by your imagination.

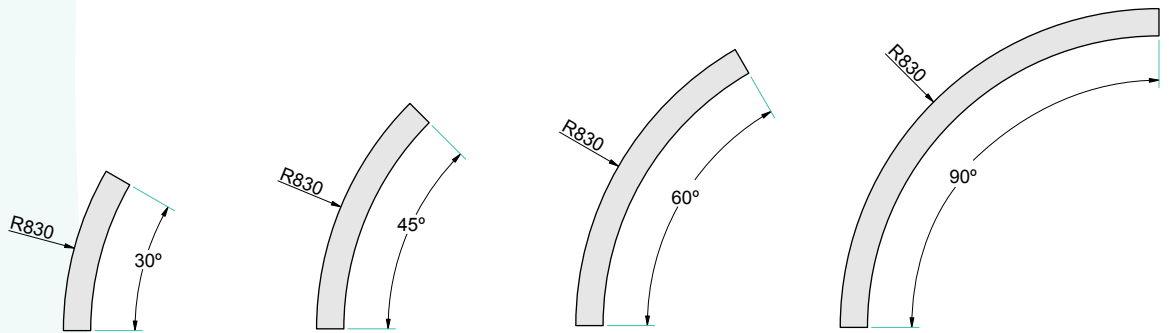
The XTA 2.0 LOOP Slot can be surface, suspended, recessed or mounted in a combination of all three, and comes standard with Proformax CRI 90 boards for optimum colour rendition in all environments –  
L80 B10 82,000hours

# XTA | 2.0 LOOP SLOT

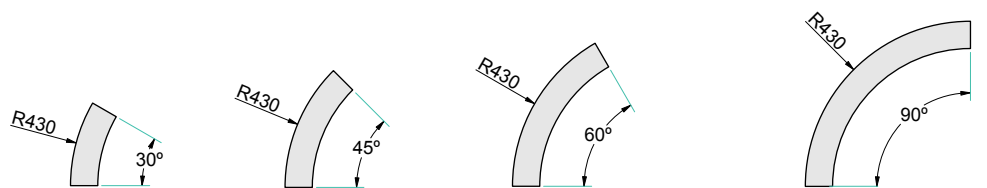
## Standard Bend Options



1230R



830R



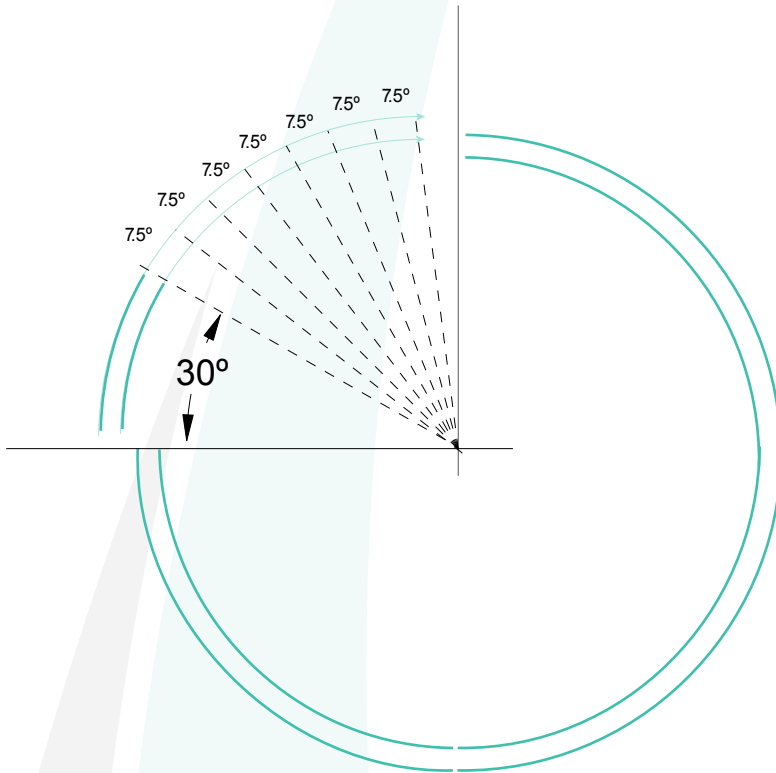
430R

\*Other custom radii available on request

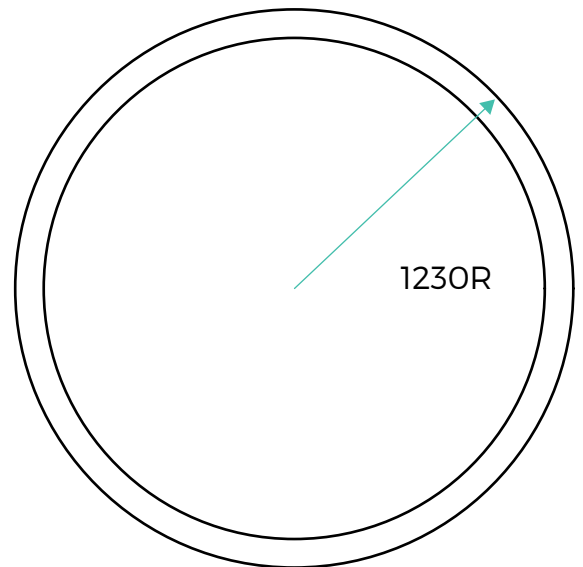
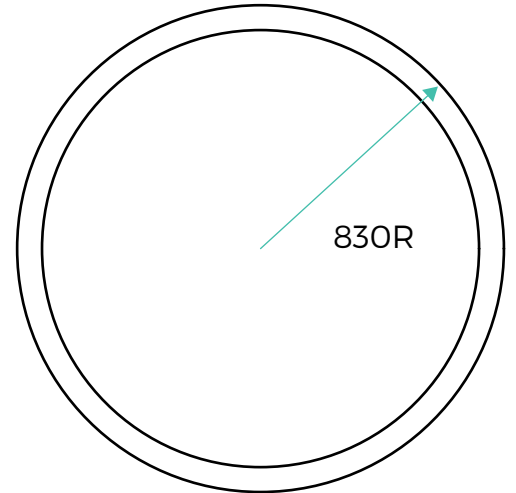
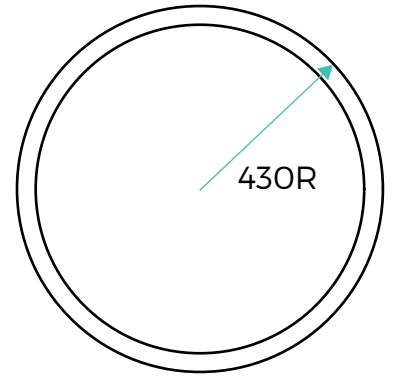
All radii bends can have integral drivers provided they adjoin a straight section or are  $\geq 1230R$

# XTA | 2.0 LOOP SLOT

## Standard Arc Options

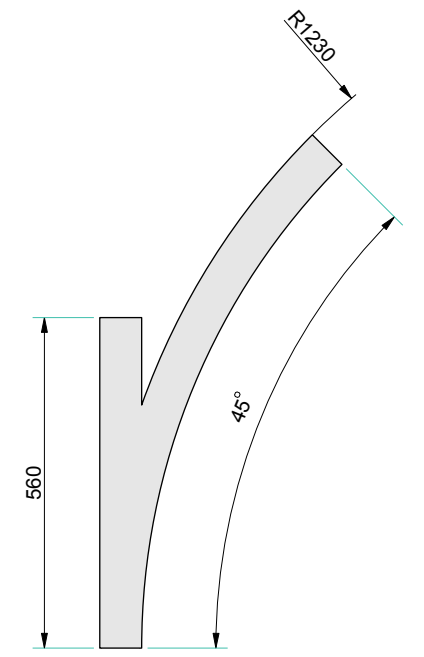
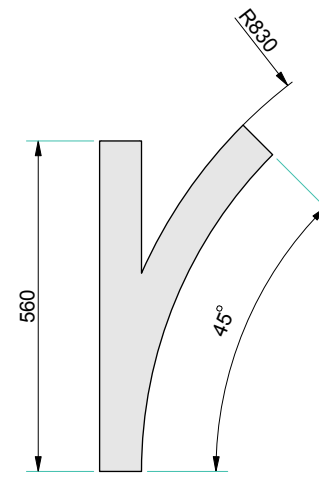
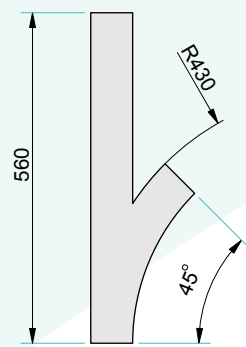


Minimum 30° segment  
then each segment can be  
increased in 7.5° increments  
Arc segments below  
1230R have remote drivers

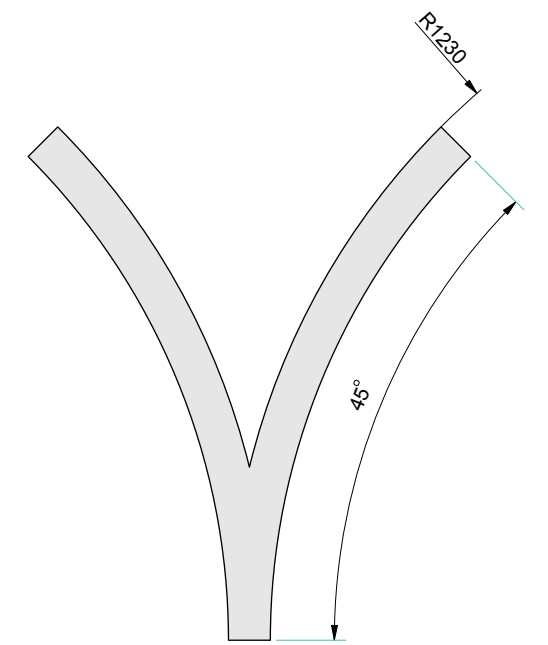
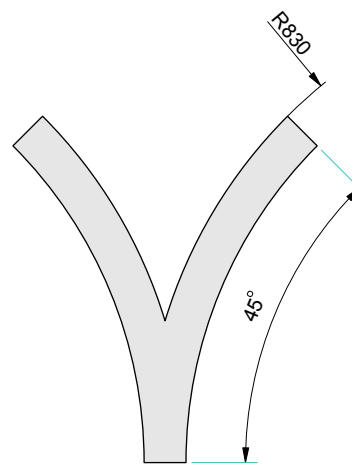
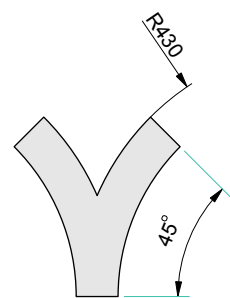


Other options available on request

# XTA 2.0 LOOP SLOT Standard Connections



Y Bends



V Bends

Other options available on request

# Data Table

XTA   2.0 Loop Slot				
LED Engine	4ft Length 1120mm	Luminous Flux (Delivered Lumens)	LO 1900	HO 3500
	Xeramix	CRI	80+	
		Lumen Maintenance:	114,000 Hours ( L90 B10 @ 50° )	
	Proformax	CRI	90+	
Lumen Maintenance:		82,000 Hours ( L80 B10 @ 35° )		
Warranty	Xeramix	10 Years		
	Proformax	7 Years		
Electrical	Power Consumption	Between 20 and 45w/m		
	Voltage input range	120 – 277V		
	Controls	0-10 volts / Dali Control Gear / DSI compatible / DMX / Dimmer switch / Constant light output / Motion sensor / Ripple free / Bluetooth mesh / Casambi control wireless system		
	Total harmonic distortion THD	9.8% max		
	Approvals	UL / CE / CCC / AS:NZS / EMC		
Physical	Dimensions	60 X 80mm		
	Weight per metre	3.3kg (7.27lbs) average weight		
	Housing	Aluminium extrusion / powder-coated finish only		
	Diffuser	Frosted acrylic lens / Polycarbonate lens		
	Accessories	Various connection shapes available		
	Connections	Speed Connect Joining System with Polarised electrical connection between sections		
	Compatible ceiling type	Suitable for gyprock (drywall) ceilings, metal pan, concrete, timber and T-bar grid ceilings		
	Mounting	Field adjustable rollerball wire suspensions / rod suspensions / surface mounted		
	Bend Radii	430R / 830R / 1230R as standard with custom radii available		
	Mitre Bend Options	Lit corner 90° / Cross 90° / Tee 90° / Straight 180° (No unlit)		
	Endplate Options	Conseal flat or optional curved end plates		
	Operating temperatures	Xeramix = -25°C to 50°C (-13°F to 140°F) Proformax = -25°C to 35°C (-13°F to 95°F)		
	Environment	Dry Indoor Application only		
	Minimum length adjustment	Xeramix = 1mm Proformax = 25mm		
	LED Board types	Xeramix LED boards in 25 / 100 / 280 / 560mm lengths Zhaga compatible Proformax LED boards in 50 / 280mm / 560mm lengths Zhaga compatible		
Configurations	Down only			

**Conseal** is a patented end plate that is complete with 'magnetic snap' cover plate that's nothing short of impressive

50mm or 7.50° = the industry's smallest arc adjustment

**Axis removable gear-tray** for quick and simple 'single person' installation

The **NEW Conseal curved endplate** with 'magnetic snap' now offers you the choice to suit your next custom project

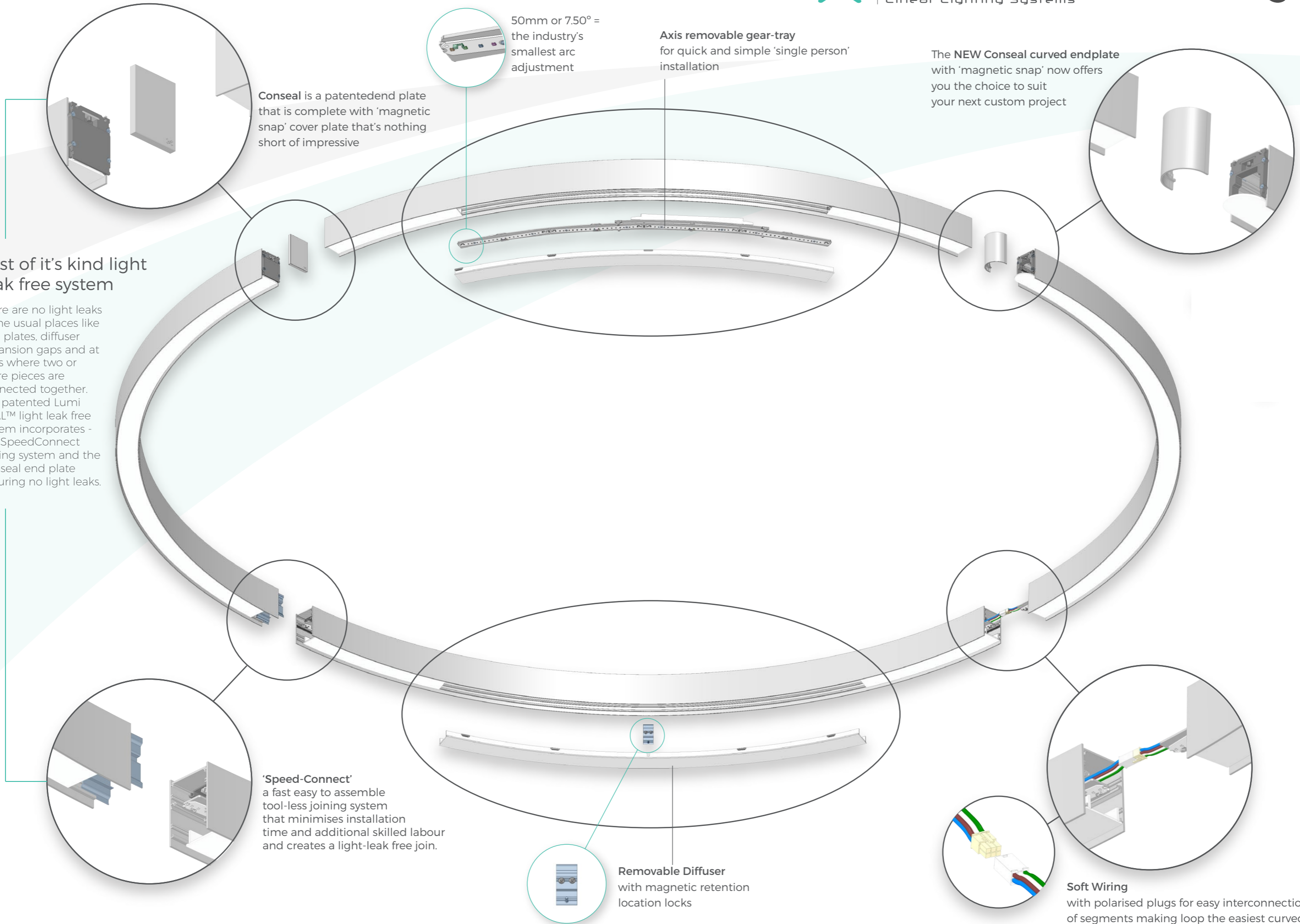
**First of it's kind light leak free system**

There are no light leaks in the usual places like end plates, diffuser expansion gaps and at joins where two or more pieces are connected together. The patented Lumi SEAL™ light leak free system incorporates - the SpeedConnect joining system and the Conseal end plate ensuring no light leaks.

**'Speed-Connect'** a fast easy to assemble tool-less joining system that minimises installation time and additional skilled labour and creates a light-leak free join.

**Removable Diffuser** with magnetic retention location locks

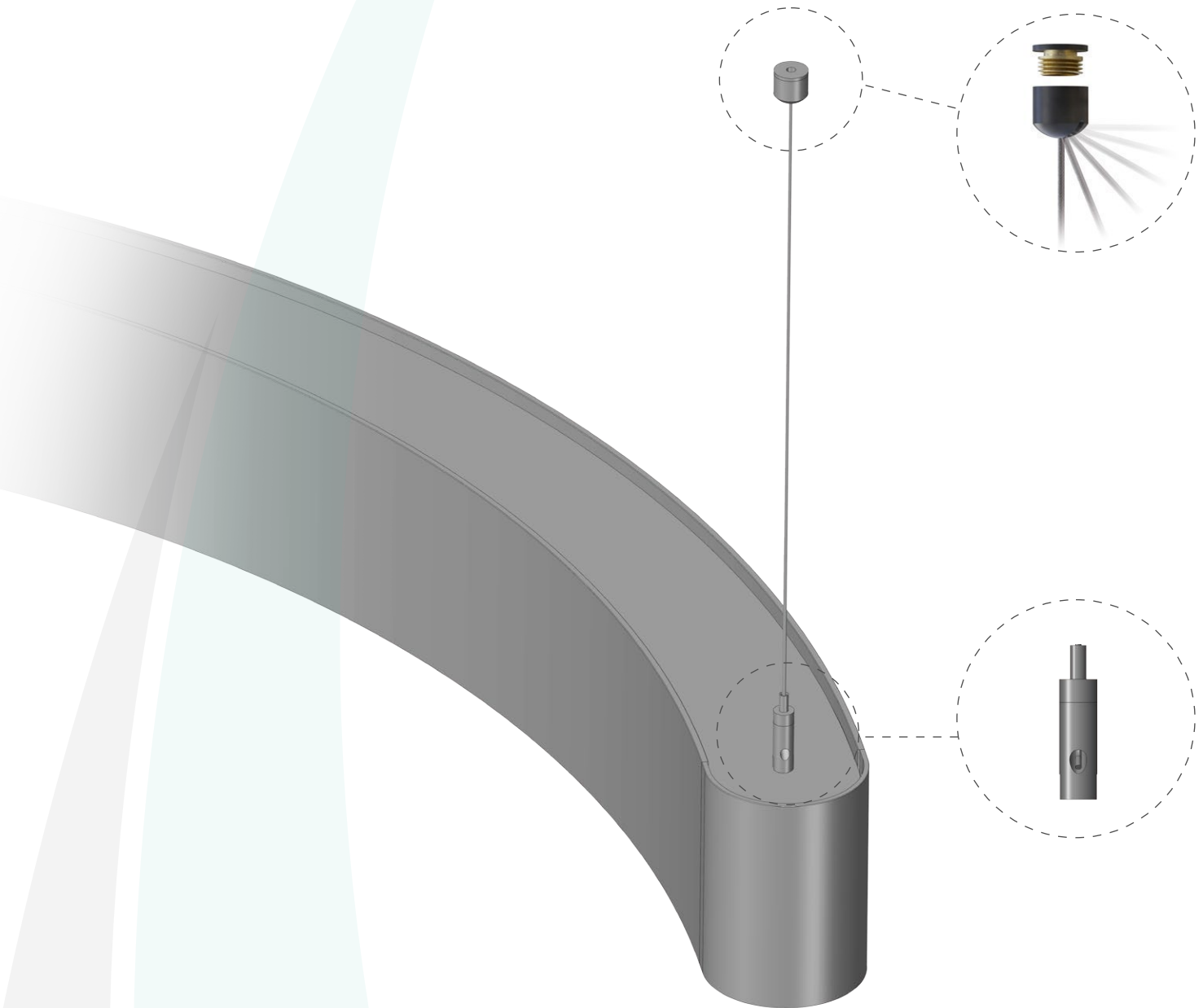
**Soft Wiring** with polarised plugs for easy interconnection of segments making loop the easiest curved profile on the market to install



# XTA | 2.0 LOOP SLOT

## Rollerball Suspension

The smart suspension system that can be mounted on any surface whether a flat or sloped ceiling, or even a wall

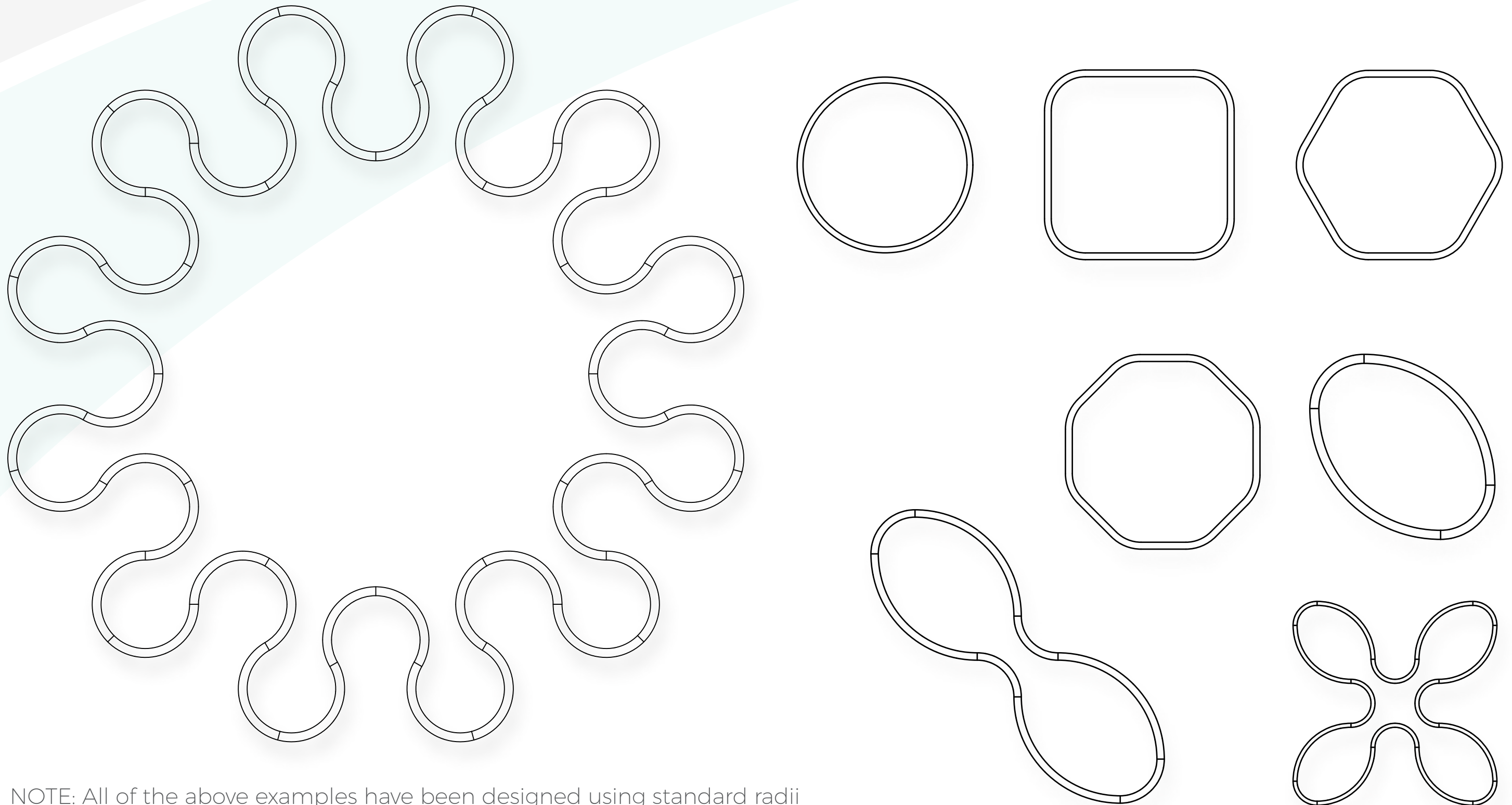




## XTA | 2.0 LOOP SLOT

### Some examples of Shapes and Sizes

The LOOP series has the ability to form myriad of shapes and sizes from simple curved corners to the most complex configuration only limited by your imagination




NOTE: All of the above examples have been designed using standard radii

# XTA | 2.0 LOOP SLOT Install Template

Xero Loop profiles come with mounting templates that allow for easy installation.

The template should be assembled on the floor and the position in the room checked against the reflected ceiling plan then suspension positions should be laser transferred to the ceiling for accurate positioning before installing. Individual sections 'click' together to create an exact template of the actual luminaire.

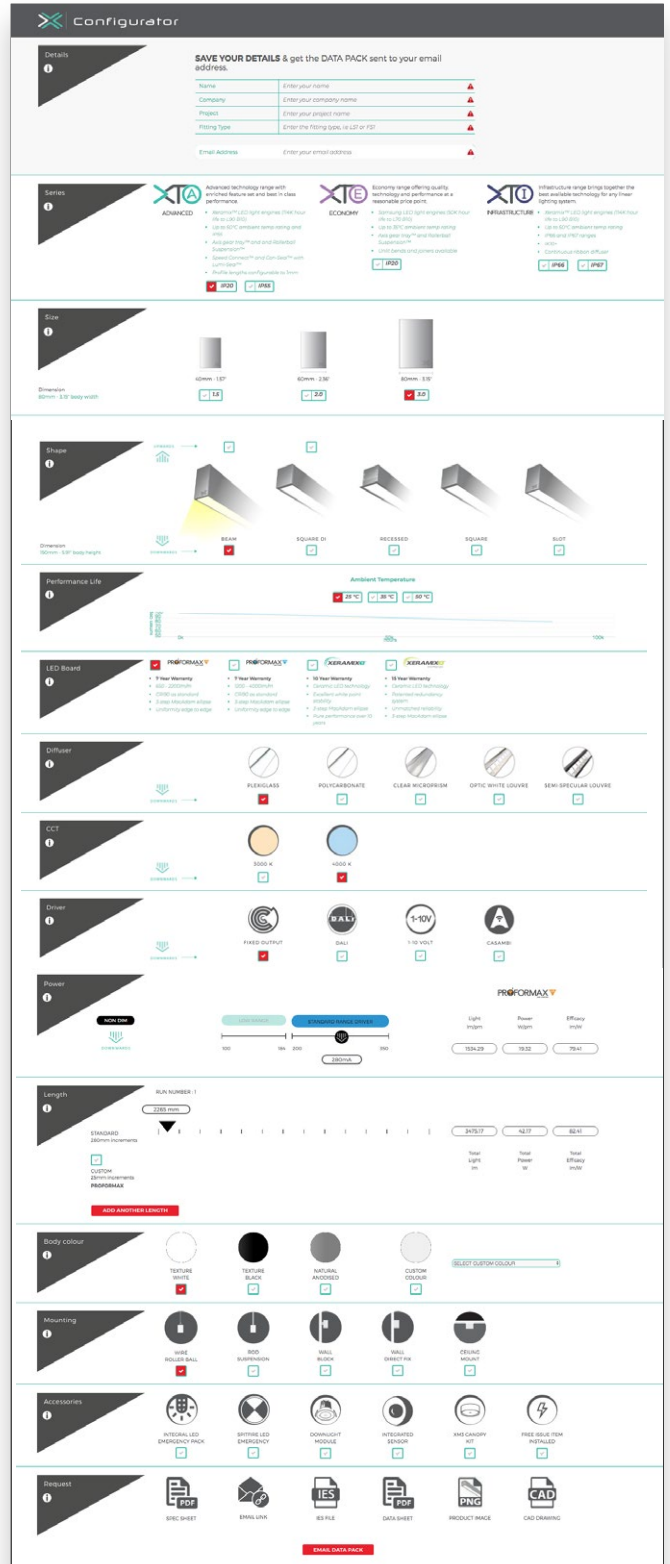
Ease of installation is just another standard from the leader in linear lighting innovation.



Shape illustrated is an example only.  
Templates are supplied for all individual designs and shapes



The Xero Configurator allows you to design and build your customised lighting system. To ensure that your profile specifically caters to your project application follow the simple step by step build process to obtain your unique DNA code. Select your profile, choose your colour, length, gear tray, output, colour temperature, mounting requirement and choose from the selection of extras



The screenshot displays the X-Configurator interface with the following sections:

- Details:** Form for user information including Name, Company, Project, Mounting Type, and Email Address.
- Series:** Selection between XTA (Advanced), XTE (Economy), and XTO (Infrastructure).
- Size:** Selection of three different body sizes (80mm, 100mm, 120mm).
- Shape:** Selection of five different beam shapes: BEAM, SQUARE D1, RECESSED, SQUARE, and SLOT.
- Performance Life:** Graph showing performance over time at different ambient temperatures (24°C, 35°C, 40°C).
- LED Based:** Selection of four different LED technologies: REFORMAX, XERAMAX, XERAMAX, and XERAMAX.
- Diffuser:** Selection of five different diffuser materials: POLYGLASS, POLYCARBONATE, CLEAR MICROBREM, OPTIC WHITE GLASS, and SEMI-REFLECTIVE GLASS.
- CCT:** Selection of two color temperature options: 3000 K and 4000 K.
- Driver:** Selection of four different driver types: FIXED OUTPUT, DALI, 1-10V, and DALI/10V.
- Power:** Selection of three different power options: 10W, 15W, and 20W.
- Length:** Selection of three different lengths: STANDARD (2000mm), CUSTOM (2000mm increments), and REFORMAX.
- Body colour:** Selection of four different body colors: TEXTURE WHITE, TEXTURE BLACK, NATURAL ANODISED, and CUSTOM COLOUR.
- Mounting:** Selection of five different mounting options: WIRE MOUNT, ROD SUSPENSION, WALL BRACKET, WALL DIRECT FIX, and CEILING MOUNT.
- Accessories:** Selection of six different accessories: INTEGRAL LED DIMMING PACK, BATTERY LED DIMMING, DOWNLIGHT MODULE, INTEGRATED DIMMER, HKS GANTRY KIT, and FREE SCALE FROM PHOTOLOGY.
- Request:** Selection of five different request options: SPEC SHEET, EMAIL LINK, IES FILE, DATA SHEET, PRODUCT IMAGE, and CAD DRAWING.

The X-Configurator can be accessed at <http://xconfigurator.xerolighting.com>



General enquiries

**E** [headoffice@xerolighting.com](mailto:headoffice@xerolighting.com)

**W** [xerolighting.com](http://xerolighting.com)

To get in touch with your local Xero  
distributor visit

[xerolighting.com/contact](http://xerolighting.com/contact)