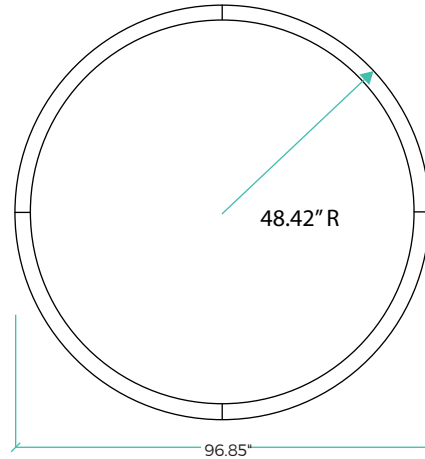
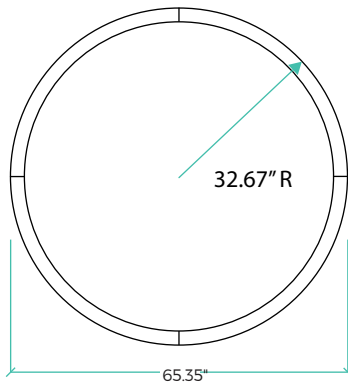
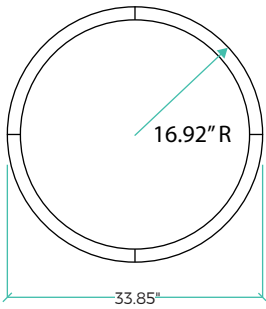




XTA | 2.0 Orbit Recessed  
33.85" Run Length 106.37"

XTA | 2.0 Orbit Recessed  
65.35" Run Length 205.31"

XTA | 2.0 Orbit Recessed  
96.85" Run Length 304.25"



### DATA TABLE

Optic Module LED Engine	Proformax	CRI	90+
		Lumen Maintenance	82,000 Hours
Warranty	7 years		
Dimensions	Profile size 2.36" (3.38" with flange) x 3.94" Beam sizes - 33.85" x 33.85" / 65.35" x 65.35" / 96.85" x 96.85"		
Weight	XTA   2.0 Ellipse Recessed 56.14" (25.35bs) / XTA   2.0 Recessed Slot 78.38" (51.80lbs) / XTA   2.0 Ellipse Recessed 87.63" (78.26lbs)		
IP Rating	IP20 (dry indoor application only)		
Compatible ceiling type	Suitable for (drywall) ceilings, metal pan, concrete, timber and T-bar grid ceilings		
Mounting	Drywall clips as standard		

To create fully customisable variations of these profiles go to -

<https://xerolighting.com/products/xta-2-0-loop-recessed/>

XTA | 2.0 Orbit Recessed  
specification sheet

