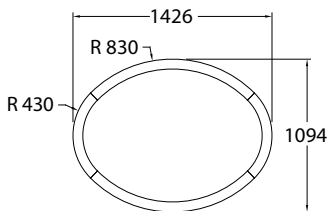
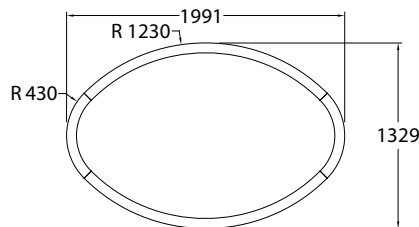




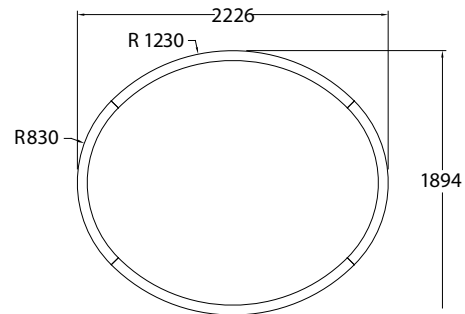
XTA | 2.0 Ellipse Recessed 1426
Run Length 3.958m



XTA | 2.0 Ellipse Recessed 1991
Run Length 5.215m



XTA | 2.0 Ellipse Recessed 2226
Run Length 6.472m



DATA TABLE

Optic Module LED Engine	Proformax	CRI	90+
		Lumen Maintenance	82,000 Hours
Warranty		7 years	
Dimensions		(Profile size 71mm x 130mm) Ellipse sizes - 1426 x 1094mm / 1991 x 1329mm / 2226 x 1894	
Weight		XTA 2.5 Ellipse Beam 1426 (12.6kg (27.8lbs)) / XTA 2.5 Ellipse Beam 1991 (17.8kg (39.2lbs)) / XTA 2.5 Ellipse Beam 2226 (19.4kg (42.8lbs))	
IP Rating		IP20 (dry indoor application only)	
Compatible ceiling type		Suitable for gyprock (drywall) ceilings, metal pan, concrete, timber and T-bar grid ceilings	
Mounting		Wire suspensions, rod suspensions, surface mounting, ceiling mounting	

To create fully customisable variations of these profiles go to -

<https://xerolighting.com/products/xta-2-5-loop-slot/>

XTA | 2.5 Ellipse Beam

specification sheet