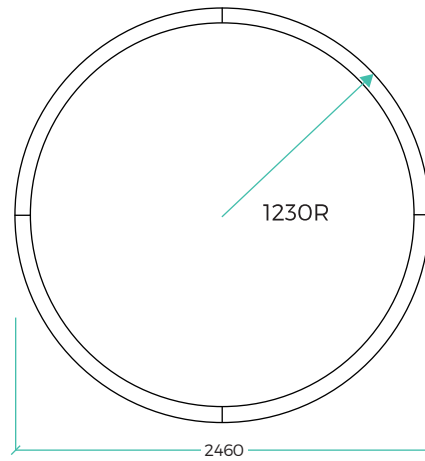
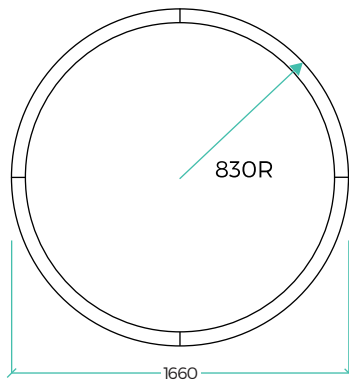
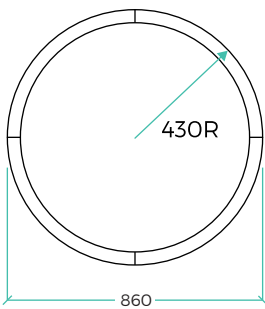


XTA | 2.5 Orbit Beam 860
Run Length 2.702m

XTA | 2.5 Orbit Beam 1660
Run Length 5.215m

XTA | 2.5 Orbit Beam 2460
Run Length 7.728m



DATA TABLE

Optic Module LED Engine	Proformax	CRI	90+
		Lumen Maintenance	82,000 Hours
Warranty		7 years	
Dimensions		(Profile size 71mm x 130mm) Beam sizes - 860 x 860mm / 1660 x 1660mm / 2460 x 2460mm	
Weight		XTA 2.5 Ellipse Beam 430 (13.2kg (29lbs)) / XTA 2.5 Ellipse Beam 830 (25.5kg (56lbs)) / XTA 2.5 Ellipse Beam 2460 (38kg (83.7lbs))	
IP Rating		IP20 (dry indoor application only)	
Compatible ceiling type		Suitable for gyprock (drywall) ceilings, metal pan, concrete, timber and T-bar grid ceilings	
Mounting		Wire suspensions, rod suspensions, surface mounting, ceiling mounting	

To create fully customisable variations of these profiles go to -

<https://xerolighting.com/products/xta-2-5-loop-beam/>

XTA | 2.5 Orbit Beam
specification sheet

