



XERO

Linear Lighting Systems



XERO  
TECHNOLOGY  
INFRASTRUCTURE RAIL

XTI·R

# XTI | 2.0 R Slot IK 10+ | IP66

metric

60mm Wide x 100mm High

imperial

2.362" Wide x 3.937" High

PROFORMAX  
LIGHT ENGINES

STANDARD

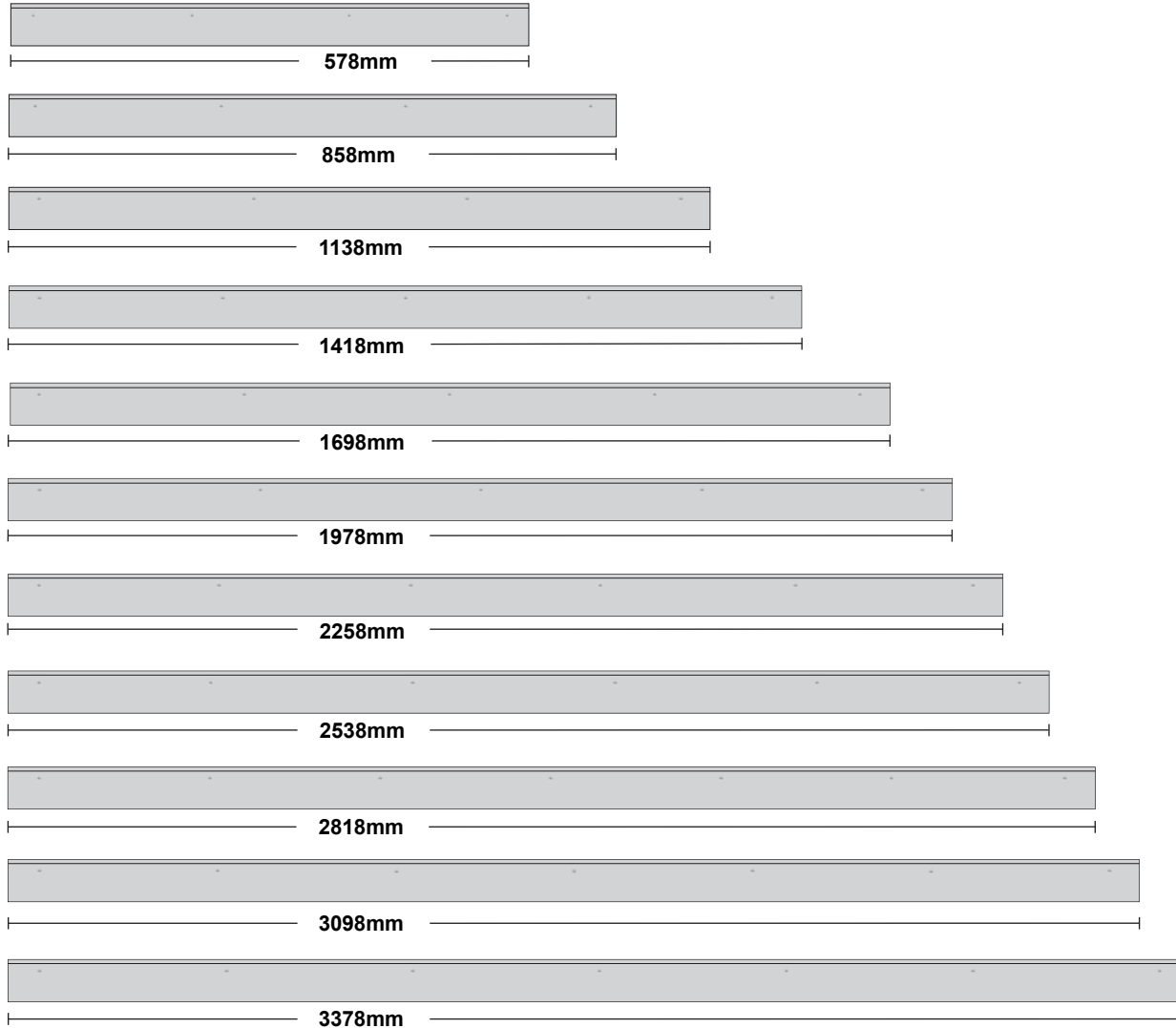
QUALITY ASSURED

7 YEAR  
WARRANTY

## DATA TABLE

LED Engine	4 Ft Length   120mm	Luminous Flux (Delivered Lumens)	LO 1900	HO 3500	
	Proformax	CRI:	90+		
		Lumen Maintenance:	82,000 Hours ( L80 B10 @ 35° )		
Warranty	Proformax	7 years			
Electrical	Power Consumption		Between 40 and 90w/m		
	Voltage input range		120 - 277V		
	Control methods		Dimming options for white light: 0-10V, DALI, DMX Optional RGB / Sunset Diming control DMX or DALI XI		
	Total harmonic distortion THD		9.8% max		
	Approvals		UL / CE / CCC / AS:NZS / EMC		
Physical	Dimensions		60 x 100mm		
	Weight per metre		3.9kg (8.6lbs) average weight		
	Housing		Aluminium Extrusion with anodised or powder-coated finish		
	Downward diffuser		Opaque polycarbonate diffuser / Clear polycarbonate diffuser / Parabolic louvre		
	Connections		Speed connect joining system with polarised electrical connection between sections		
	Compatible ceiling type		Suitable for drywall ceilings, metal pan, concrete, timber and T bar grid ceilings		
	Mounting		Field adjustable rollerball wire suspensions / Rod suspensions / Wall mounting / Surface mount / Custom mounting		
	Joiner options		90° / Straight / 180° / Custom		
	Operating temperatures		Proformax = -25°C to 35°C (-13°F to 95°F)		
	Environment and IK rating		IP66 IK10+		
	Minimum length adjustment		Proformax = 50mm		
	LED Board types		Proformax LED boards in 50 / 280 / 560mm lengths Zhaga compatible		
	Vandal proof		Available with anti-vandal fasteners		
	Optional extras		Lanyards / Emergency packs / Camera / Environmental plugs / Thermal throttle / IOT connectivity		

# XTI-R AVAILABLE LENGTHS



DESCRIPTION	LENGTHS										
total luminaire length mm	578	858	1138	1418	1698	1978	2258	2538	2818	3098	3378
total luminaire length in inches	23	34	45	56	67	78	89	99	111	122	133
'560 board multiples	1	1.5	2.0	2.5	3.0	3.5	4.0	4.5	5.0	5.5	6.0

General Enquiries: [E headoffice@xerolighting.com](mailto:E_headoffice@xerolighting.com) [W www.xerolighting.com](http://www.xerolighting.com) | To get in touch with your local Xero Distributor visit [www.xerolighting.com/contacts](http://www.xerolighting.com/contacts)

The information contained within this specification sheet is for general information purposes only. While Xero aspires to keep the information up to date and correct, we make no representations or warranties of any kind about the accuracy, reliability, suitability or availability with respect to this information, products, services, or graphics contained in this specification sheet for any purpose.

## EXAMPLE OF STANDARD LENGTH COMBINATION



## CREATING LENGTHS WITH XTI | 2.0 R Slot IP66 IK10+

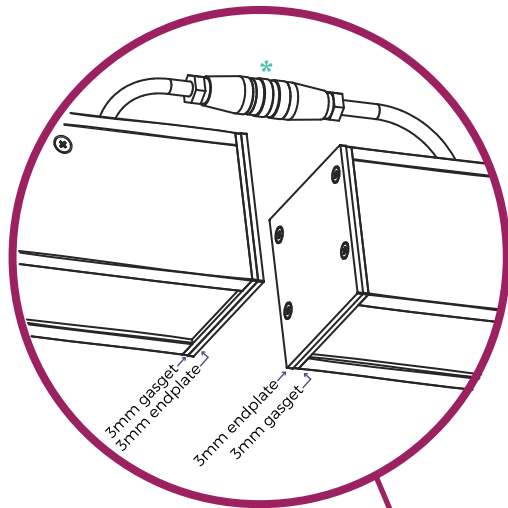
The XTI | 2.0 R series set lengths can be coupled together in any combination to achieve the desired length.

Note: custom lengths are also available – please consult your local Xero office for information

## CUSTOM LENGTHS

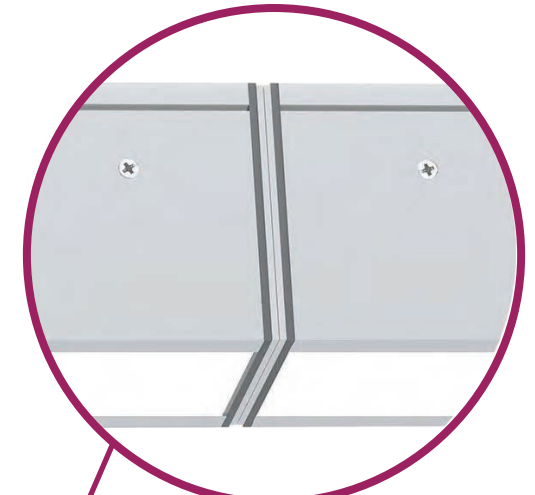
Custom lengths are available in 1.9685" (50mm) increments

## JOINING CONFIGURATION



Separated

\*optional plug shown



Joined



XERO TECHNOLOGY INFRASTRUCTURE RAIL **XTI·R**

XTI | 2.0 R Slot  
IK10+ | IP66

# Optical control

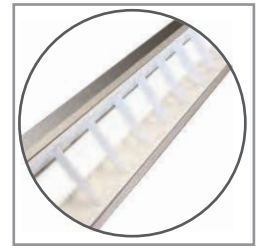
XTI profiles come with many diffuser options for glare control in any application



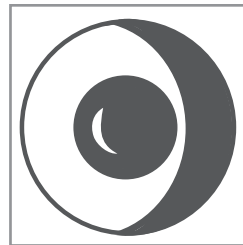
Polycarbonate



Semi-specular  
Louvre



Optic white  
louvre



sensors / daylight  
harvesting



emergency packs



pa speaker



ewis speaker



smoke detector



camera

---

General enquiries  
E [headoffice@xerolighting.com](mailto:headoffice@xerolighting.com) W [xerolighting.com](http://xerolighting.com)  
To get in touch with your local Xero  
Distributor Visit [www.xerolighting.com/contacts](http://www.xerolighting.com/contacts)



The information contained within this specification sheet is for general information purposes only. While Xero aspires to keep the information up to date and correct, we make no representations or warranties of any kind about the accuracy, reliability, suitability or availability with respect to this information, products, services, or graphics contained in this specification sheet for any purpose.