

XTI·R XERO
TECHNOLOGY
INFRASTRUCTURE RAIL

XTI | 2.0 R Square IK 10+ | IP66

metric

60mm Wide x 70mm High

imperial

2.755" Wide x 2.362" High

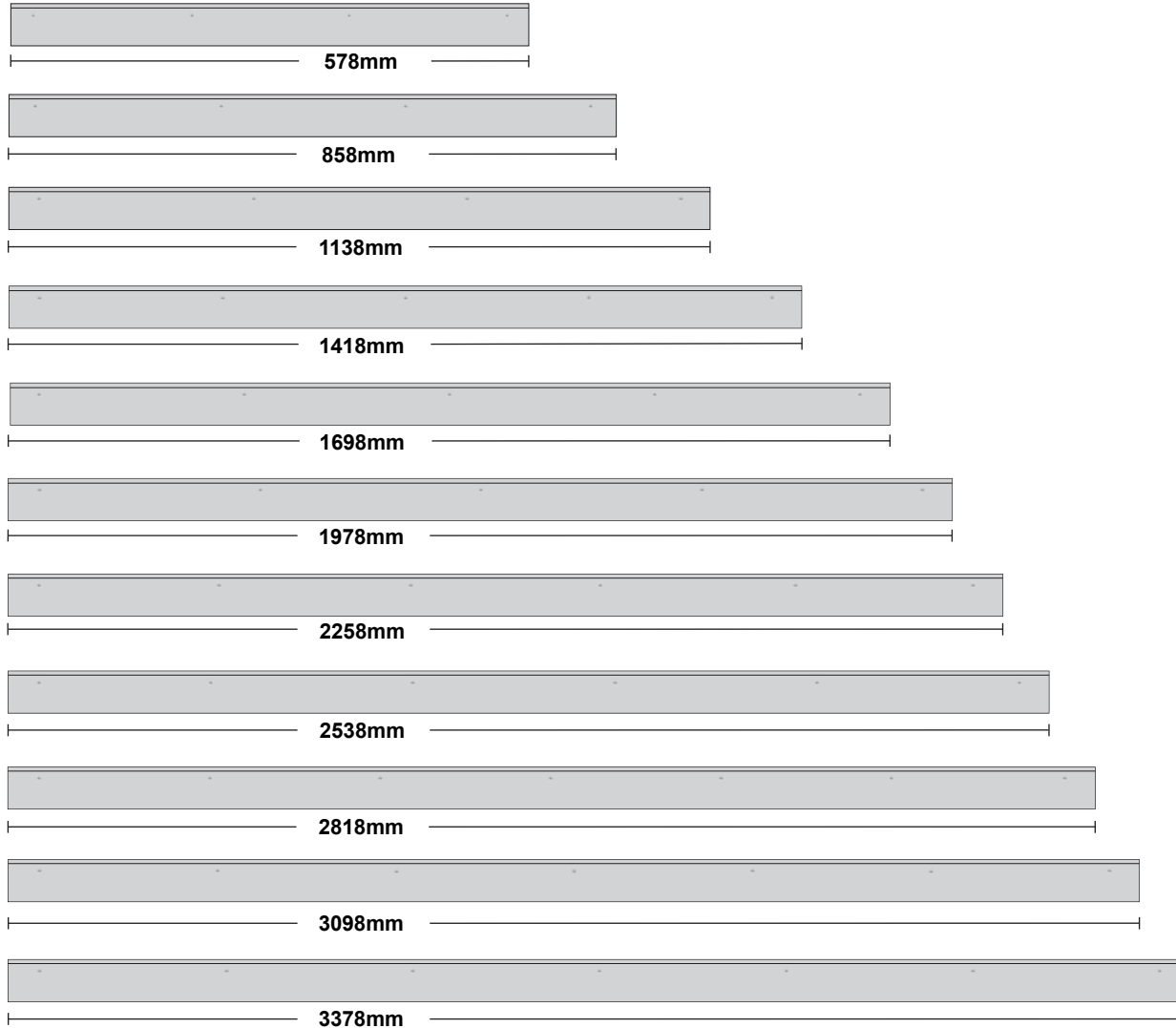
PROFORMAX
LIGHT ENGINES



DATA TABLE

LED Engine	4 Ft Length 120mm	Luminous Flux (Delivered Lumens)	LO 1900	HO 3500	
	Proformax	CRI:	90+		
	Lumen Maintenance:	82,000 Hours (L80 B10 @ 35°)			
Warranty	Proformax	7 years			
Electrical	Power Consumption	Between 40 and 90w/m			
	Voltage input range	120 - 277V			
	Control methods	Dimming options for white light: 0-10V, DALI, DMX Optional RGB / Sunset Diming control DMX or DALI XI			
	Total harmonic distortion THD	9.8% max			
	Approvals	UL / CE / CCC / AS:NZS / EMC			
Physical	Dimensions	70 x 60mm			
	Weight per metre	4.1kg (9lbs) average weight			
	Housing	Aluminium Extrusion with anodised or powder-coated finish			
	Downward diffuser	Opaque polycarbonate diffuser / Clear polycarbonate diffuser / Parabolic louvre			
	Connections	Speed connect joining system with polarised electrical connection between sections			
	Compatible ceiling type	Suitable for drywall ceilings, metal pan, concrete, timber and T bar grid ceilings			
	Mounting	Field adjustable rollerball wire suspensions / Rod suspensions / Wall mounting/ Surface mount / Custom mounting			
	Joiner options	90° / Straight / 180° / Custom			
	Operating temperatures	Proformax = -25°C to 35°C (-13°F to 95°F)			
	Environment and IK rating	IP66 IK10+			
	Minimum length adjustment	Proformax = 50mm			
	LED Board types	Proformax LED boards in 50 / 280 / 560mm lengths Zhaga compatible			
	Vandal proof	Available with anti-vandal fasteners			
	Optional extras	Lanyards / Emergency packs / Camera / Environmental plugs / Thermal throttle / IOT connectivity			

XTI-R AVAILABLE LENGTHS



DESCRIPTION	LENGTHS										
total luminaire length mm	578	858	1138	1418	1698	1978	2258	2538	2818	3098	3378
total luminaire length in inches	23	34	45	56	67	78	89	99	111	122	133
'560 board multiples	1	1.5	2.0	2.5	3.0	3.5	4.0	4.5	5.0	5.5	6.0

General Enquiries: [E headoffice@xerolighting.com](mailto:E_headoffice@xerolighting.com) [W www.xerolighting.com](http://www.xerolighting.com) | To get in touch with your local Xero Distributor visit www.xerolighting.com/contacts

The information contained within this specification sheet is for general information purposes only. While Xero aspires to keep the information up to date and correct, we make no representations or warranties of any kind about the accuracy, reliability, suitability or availability with respect to this information, products, services, or graphics contained in this specification sheet for any purpose.

EXAMPLE OF STANDARD LENGTH COMBINATION



CREATING LENGTHS WITH XTI | 2.0 R Square IP66 IK10+

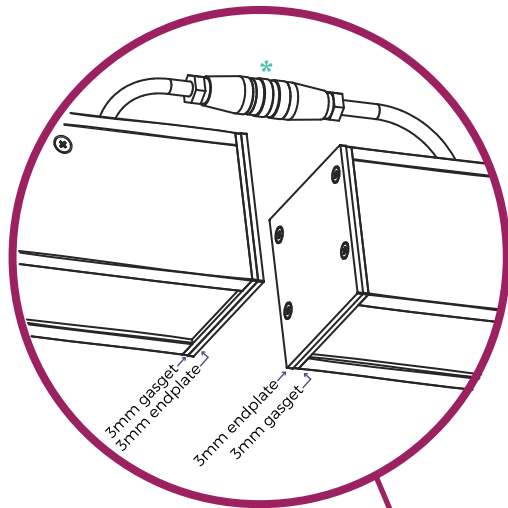
The XTI | 2.0 R series IP66 IK10+ set lengths can be coupled together in any combination to achieve the desired length.

Note: custom lengths are also available – please consult your local Xero office for information

CUSTOM LENGTHS

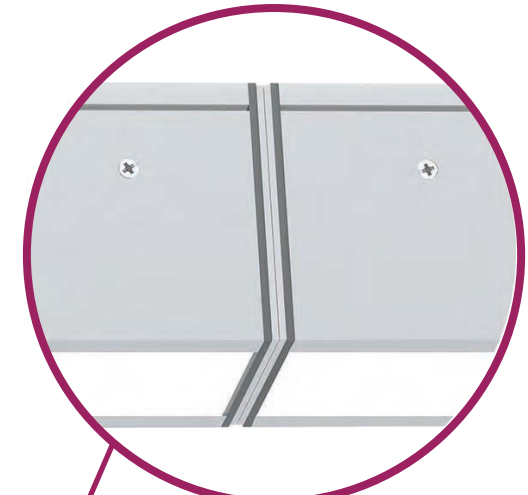
Custom lengths are available in 1.9685" (50mm) increments

JOINING CONFIGURATION



Separated

*optional plug shown



Joined



XERO TECHNOLOGY INFRASTRUCTURE RAIL **XTI·R**

XTI·| 2.0 R Square
IK10+ | IP66

Optical control

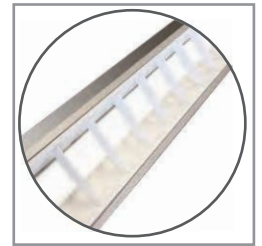
XTI profiles come with many diffuser options for glare control in any application



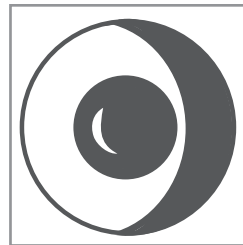
Polycarbonate



Semi-specular
Louvre



Optic white
louvre



sensors / daylight
harvesting



emergency packs



pa speaker



ewis speaker



smoke detector



camera

General enquiries
E headoffice@xerolighting.com W xerolighting.com
To get in touch with your local Xero
Distributor Visit www.xerolighting.com/contacts



The information contained within this specification sheet is for general information purposes only. While Xero aspires to keep the information up to date and correct, we make no representations or warranties of any kind about the accuracy, reliability, suitability or availability with respect to this information, products, services, or graphics contained in this specification sheet for any purpose.