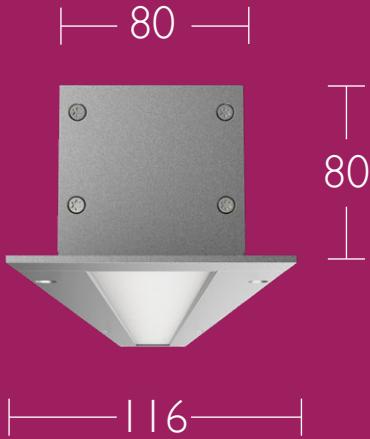


XERO TECHNOLOGY INFRASTRUCTURE RAIL **XTI·R**

XTI | 3.0 R WF Recessed (Wide Flange)

metric	80mm Wide x 80mm High (inc flange 116mm Wide)
imperial	3.149" Wide x 3.149" (inc flange 4.566" Wide)



PROFORMAX
LIGHT ENGINES

STANDARD
QUALITY ASSURED
7 YEAR
WARRANTY

*image features Semi Specular Louvre option

DATA TABLE

LED Engine	4 Ft Length 1120mm	Luminous Flux (Delivered Lumens)	LO 1900	HO 3500	
	Proformax	CRI:	90+		
		Lumen Maintenance:	82,000 Hours (L80 B10 @ 35°)		
Warranty	Proformax	7 years			
Electrical	Power Consumption		Between 40 and 90w/m		
	Voltage input range		120 - 277V		
	Control methods		Dimming options for white light: 0-10V, DALI, DMX Optional RGB / Sunset Dimming control DMX or DALI XI		
	Total harmonic distortion THD		9.8% max		
	Approvals		UL / CE / CCC / AS:NZS / EMC		
Physical	Dimensions		80mm Wide (including flanges 116mm Wide) x 80mm High		
	Weight per metre		4.3kg (9.47lbs) average weight		
	Housing		Aluminium Extrusion with anodised or powder-coated finish		
	Downward diffuser		Opaque polycarbonate diffuser / Clear polycarbonate diffuser / Parabolic louvre		
	Compatible ceiling type		Suitable for drywall ceilings, metal pan, concrete, timber and T bar grid ceilings		
	Mounting		Recessed Flange Mounted, Sliding Thread Stud Bracket, Sliding Surface Mounting Plate, Wire Suspension Kit		
	Joiner options		single sections only		
	Operating temperatures		Proformax = -25°C to 35°C (-13°F to 95°F)		
	Environment and IK rating		IP66 (not in direct sunlight)(diffuser must not face upwards) IK10+		
	Minimum length adjustment		Proformax = 50mm		
	LED Board types		Proformax LED boards in 50 / 280 / 560mm lengths Zhaga compatible		
	Vandal proof		Available with anti-vandal fasteners		
	Optional extras		Lanyards / Emergency packs / Camera / Environmental plugs / Thermal throttle / IOT connectivity		

XTI-R AVAILABLE LENGTHS (excluding flanges)



DESCRIPTION	LENGTHS										
total luminaire length mm	578	858	1138	1418	1698	1978	2258	2538	2818	3098	3378
total luminaire length in inches	23	34	45	56	67	78	89	99	111	122	133
'560 board multiples	1	1.5	2.0	2.5	3.0	3.5	4.0	4.5	5.0	5.5	6.0

General Enquiries: [E headoffice@xerolighting.com](mailto:E.headoffice@xerolighting.com) [W www.xerolighting.com](http://www.xerolighting.com) | To get in touch with your local Xero Distributor visit www.xerolighting.com/contacts

The information contained within this specification sheet is for general information purposes only. While Xero aspires to keep the information up to date and correct, we make no representations or warranties of any kind about the accuracy, reliability, suitability or availability with respect to this information, products, services, or graphics contained in this specification sheet for any purpose.

EXAMPLE OF STANDARD LENGTH COMBINATION (excludes flange)



CREATING LENGTHS WITH XTI | 2.0 R Recessed IP66 IK10+

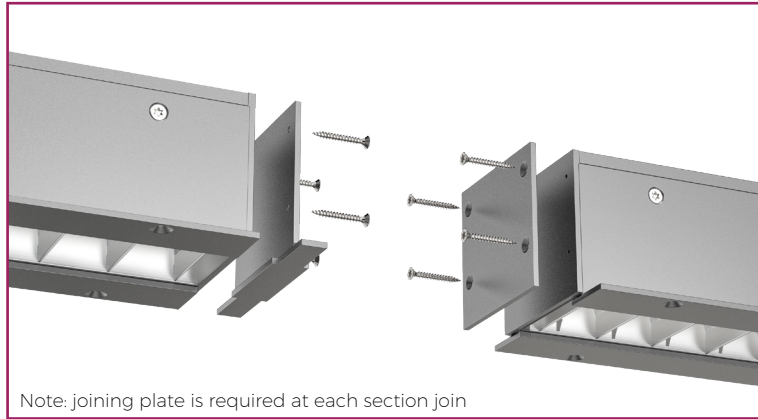
The XTI | 2.0 IP66 IK10+ set lengths can be coupled together in any combination to achieve the desired length.

Note: custom lengths are also available – please consult your local Xero office for information

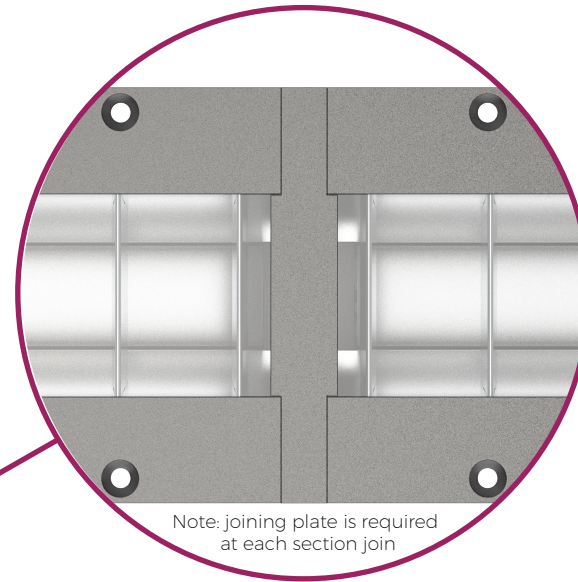
CUSTOM LENGTHS

Custom lengths are available in 1.9685" (50mm) increments

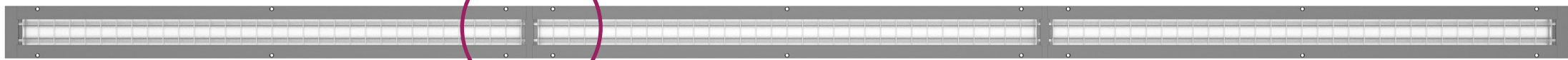
XTI | 3.0 R WF Recessed Joining System



Note: joining plate is required at each section join



Note: joining plate is required at each section join



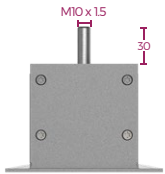
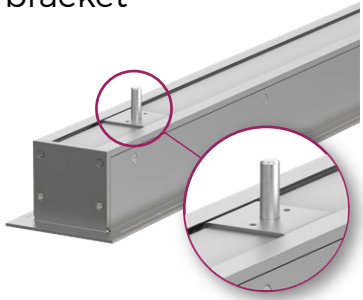
Note: joining plate is required at each section join

illustration is featured with semi specular louvre

XTI | 3.0 R WF Recessed | Mounting Options

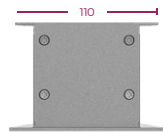
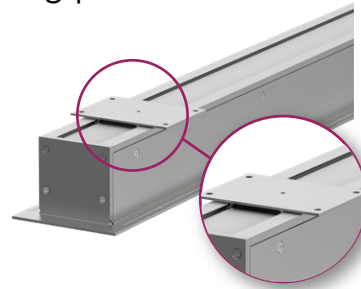


Sliding threaded stud bracket



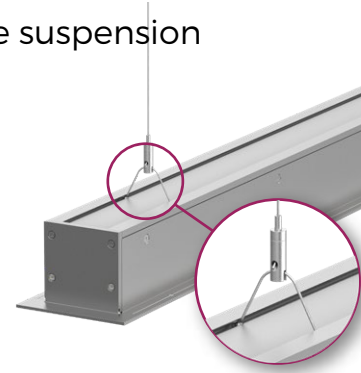
Thread height = 30mm
Thread diameter = M10 x 1.5

Sliding surface mounting plate



Size of mounting plate
110mm wide x 80mm deep
with 4 x 5.5mm diameter holes
Mounting Plate Part No. X-665

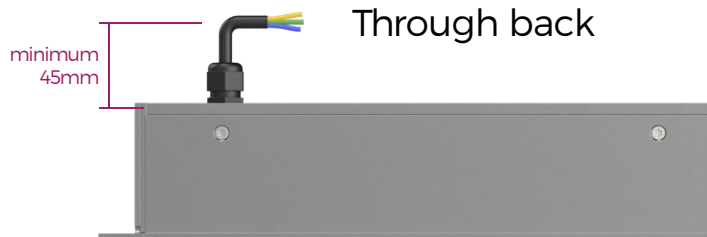
Wire suspension Kit



Recessed

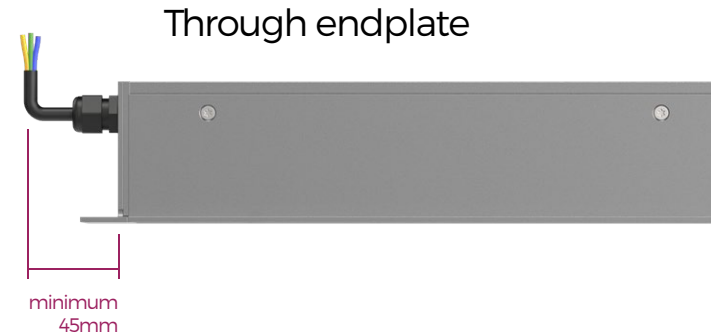


XTI | 3.0 R WF Recessed | IP Gland + Power entry flex options



Through back

minimum
45mm



Through endplate

minimum
45mm

Optical control

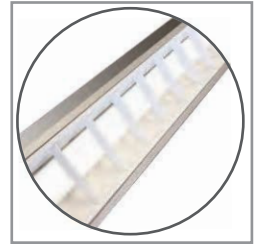
XTI profiles come with many diffuser options for glare control in any application



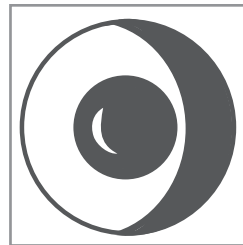
Polycarbonate



Semi-specular
Louvre



Optic white
louvre



sensors / daylight
harvesting



emergency packs



pa speaker



ewis speaker



smoke detector



camera

General enquiries
E headoffice@xerolighting.com W xerolighting.com
To get in touch with your local Xero
Distributor Visit www.xerolighting.com/contacts



The information contained within this specification sheet is for general information purposes only. While Xero aspires to keep the information up to date and correct, we make no representations or warranties of any kind about the accuracy, reliability, suitability or availability with respect to this information, products, services, or graphics contained in this specification sheet for any purpose.