

XERO
TECHNOLOGY
INFRASTRUCTURE



XTI | 3.0 WF Recessed (Wide Flange)

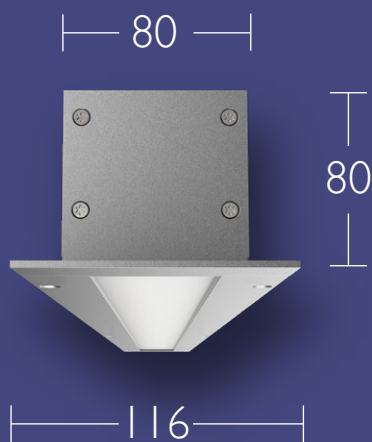
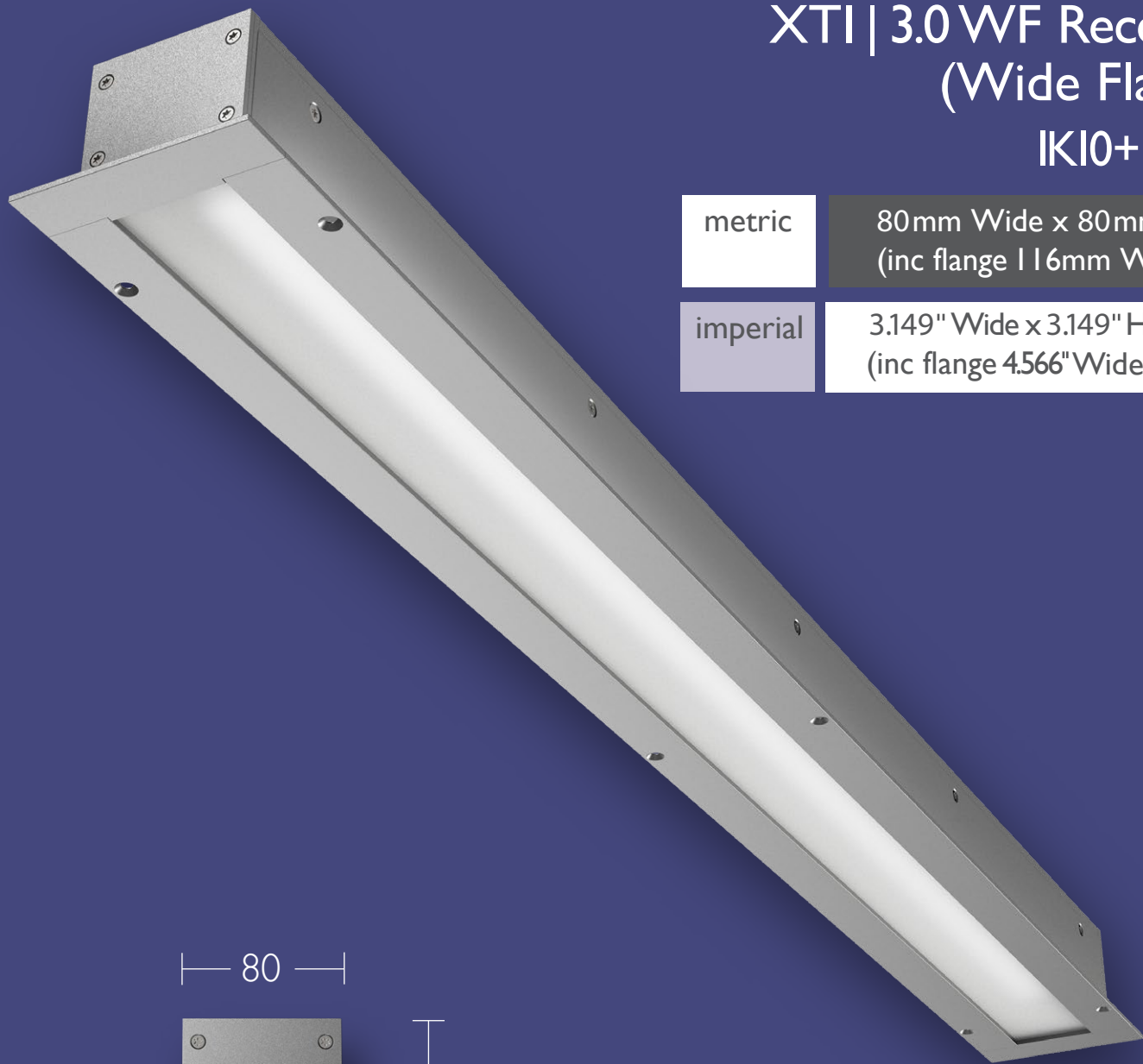
IK10+ | IP66

metric

80mm Wide x 80mm High
(inc flange 116mm Wide)

imperial

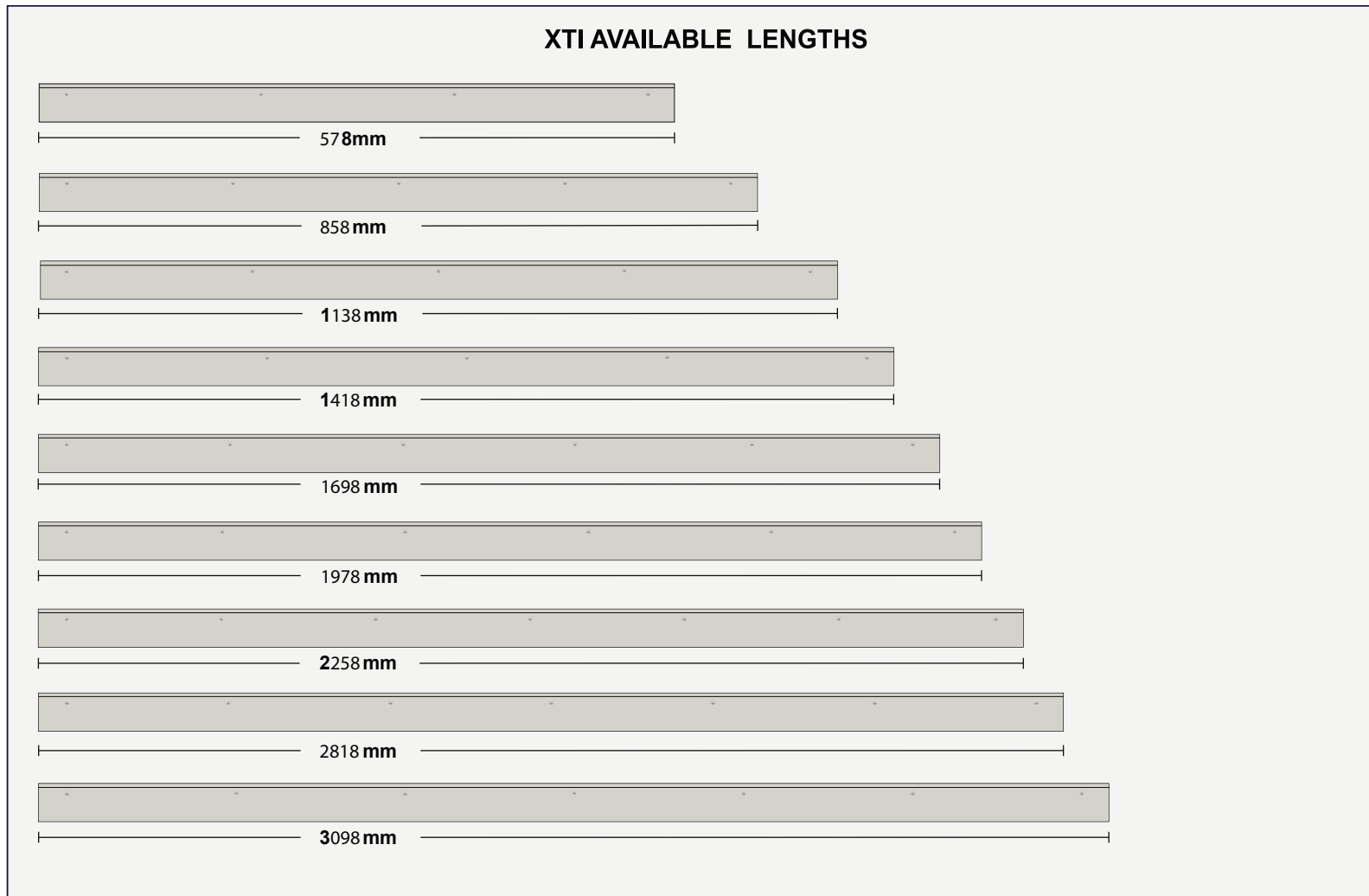
3.149" Wide x 3.149" High
(inc flange 4.566" Wide)



DATA TABLE

Output	4 Ft Length 1120mm	Luminous Flux (Delivered Lumens)	LO 1900	HO 3500	
		CRI:		80+	
	Lumen Maintenance:		114,000 Hours (L90 B10 @ 50°)		
Warranty	Xeramix I		10 years		
	Xeramix R		15 years		
Electrical	Power Consumption		Between 20 and 45w/m		
	Voltage input range		120 - 277V		
	Control methods		Dimming options for white light: 0-10V, DALI, DMX Optional RGB / Sunset Diming control DMX or DALI XI		
	Total harmonic distortion THD		9.8% max		
	Approvals		UL / CE / CCC / AS:NZS / EMC		
Physical	Dimensions		80mm Wide (including flanges 116mm Wide) x 80mm High		
	Weight per metre		4.3kg (9.47lbs) average weight		
	Housing		Aluminum Extrusion with anodised or powder-coated finish		
	Diffuser		Opaque Polycarbonate Diffuser / Clear Polycarbonate Diffuser / Parabolic Louvre		
	Connections		Optimal polarised electrical connection between sections. Power feed through end-plate or rear of housing. An additional minimum 45mm required for gland and flex to turn through 90°		
	Compatible ceiling type		Suitable for drywall ceilings, metal pan, concrete, timber and T bar grid ceilings		
	Mounting		Recessed Flange Mounted		
	Joiner options		Joiners available for interconnection		
	Operating temperatures		-25°C to 50°C (-30°F to 40°F)		
	IK Rating		IK10+		
	Environment		IP66 (not in direct sunlight) (diffuser must not face upwards)		
	Minimum length Adjustment		25mm		
	LED Board types		Xeramix I and Xeramix R Boards and drivers in 25mm compatible / 100mm, 280mm and 560mm Zhaga lengths		
	Vandal Proof		Available with anti-vandal fasteners		
	Optional Extras		Lanyards / Emergency Packs / Camera / Environmental plugs / Thermal throttle / IOT connectivity		

XTI AVAILABLE LENGTHS



DESCRIPTION	LENGTHS											
total luminaire length in mm	578	858	1138	1418	1698	1978	2258	2538	2818	3098	3378	
total luminaire length in inches	23	34	45	56	67	78	89	99	111	122	133	
'560 board multiples	1.0	1.5	2.0	2.5	2.0	3.5	4.0	4.5	4.5	5.5	6.0	

XTI | 3.0 WF Recessed Joining System

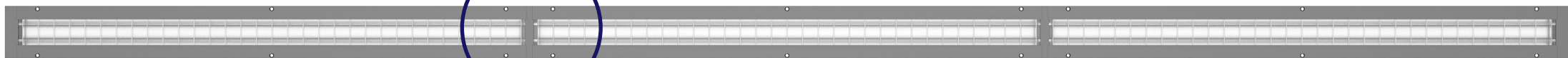
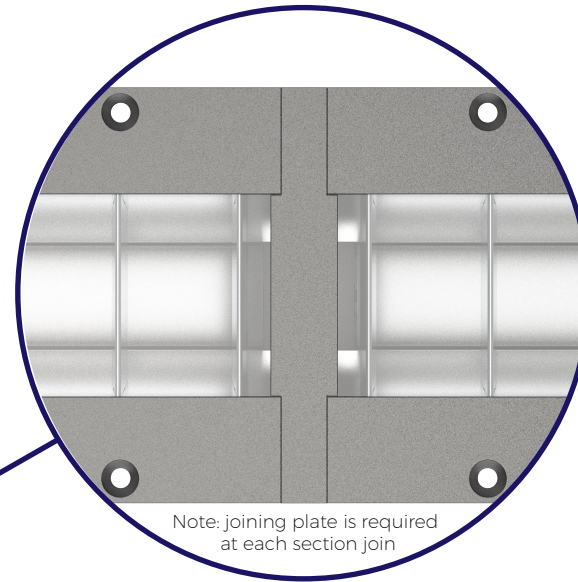
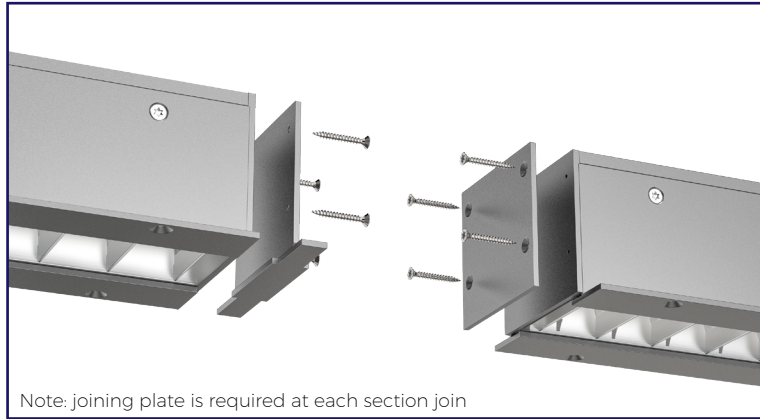
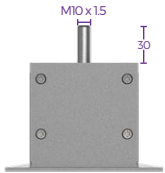
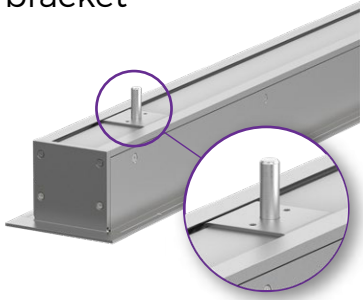


illustration is featured with semi specular louvre

XTI | 3.0 WF Recessed | Mounting Options

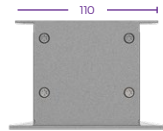
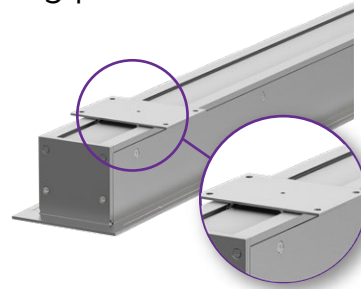


Sliding threaded stud bracket



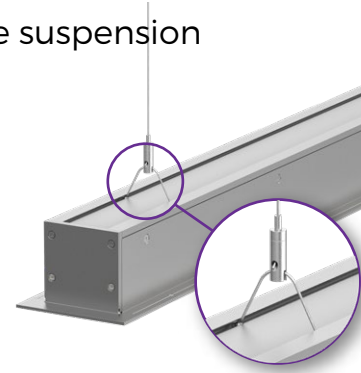
Thread height = 30mm
Thread diameter = M10 x 1.5

Sliding surface mounting plate



Size of mounting plate
110mm wide x 80mm deep
with 4 x 5.5mm diameter holes
Mounting Plate Part No. X-665

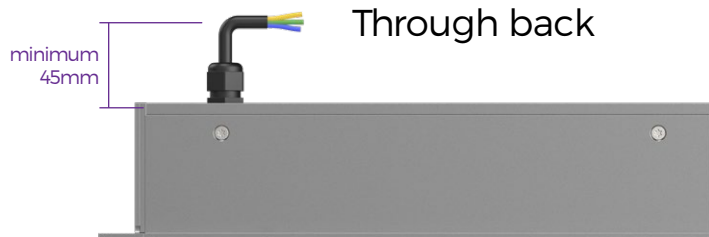
Wire suspension Kit



Recessed

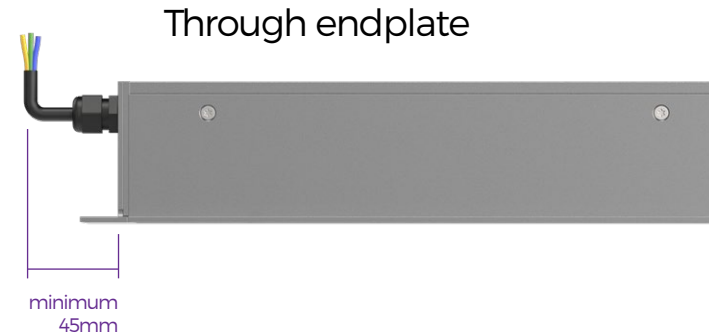


XTI | 3.0 WF Recessed | IP Gland + Power entry flex options



Through back

minimum
45mm



Through endplate

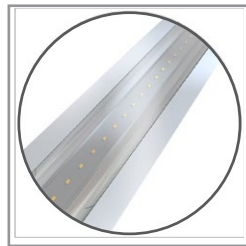
minimum
45mm

XERO TECHNOLOGY INFRASTRUCTURE **XTI**

XTI | 3.0 WF Recessed
IK10+ | IP66

Optical control

XTI profiles come with many diffuser options for glare control in any application



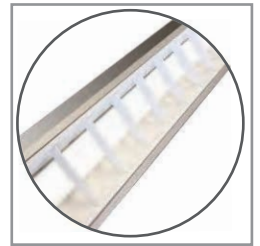
Clear
Polycarbonate



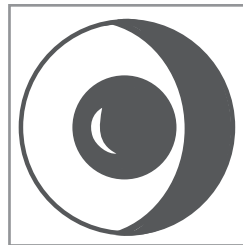
Opal
Polycarbonate



Semi-specular
Louvre



Optic white
louvre



sensors / daylight
harvesting



emergency packs



pa speaker



ewis speaker



smoke detector



camera



General enquiries
E headoffice@xerolighting.com W xerolighting.com
To get in touch with your local Xero
Distributor Visit www.xerolighting.com/contact



The information contained within this specification sheet is for general information purposes only. While Xero aspires to keep the information up to date and correct, we make no representations or warranties of any kind about the accuracy, reliability, suitability or availability with respect to this information, products, services, or graphics contained in this specification sheet for any purpose.