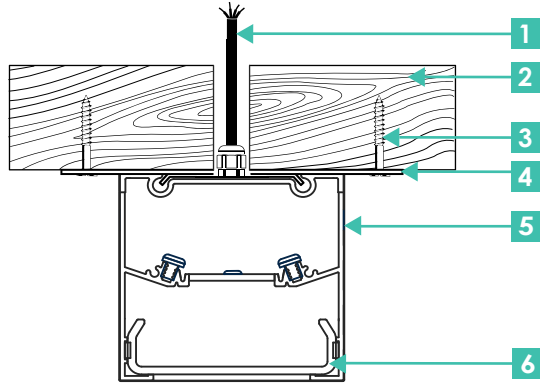


1. Power feed
2. Support structure
3. Fasteners
4. Mounting Plate(s)
5. Profile
6. Diffuser



1

*Flush surface mount

XTI Profile

Suspension Plan

NOTE: Fasteners are **NOT** supplied

*Note: The Flush Surface mount comes assembled with the XTI profile

2

Determine mounting location

3

Position luminaire and mark mounting holes

4

Remove luminaire and drill pilot holes for mounting

4

Drill clearance hole for *power feed

*Note: When using an IP plug, allow for additional diameter of power feed hole

5

Connect Luminaire to power supply

6

Return luminaire to installation location and fix through mounting brackets

If more information is required please contact your local representative by going to xerolighting.com/contacts or email us at headoffice@xerolighting.com