

XERO  
TECHNOLOGY  
INFRASTRUCTURE 

# XTI | 2.0 Slot IK II | IP66

Size

2.36" Wide x 3.93" High

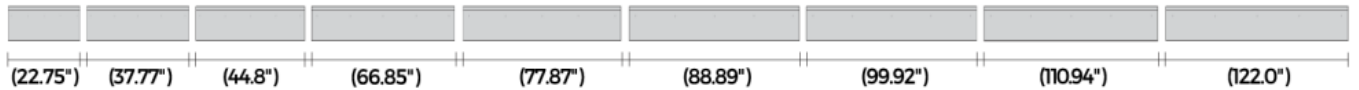


## DATA TABLE

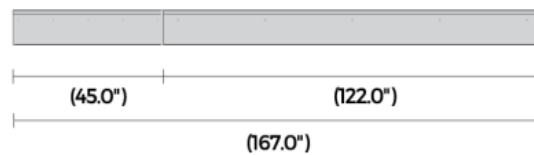
<b>Output</b>	CRI	80+
<b>Warranty</b>	ProformaxS	ProformaxS = 7 years
<b>Electrical</b>	Voltage input range	120 – 277V
	Control methods	Dimming options for white light: 0-10V, DALI, DMX Optional RGB / Sunset Diming control DMX or DALI XI
	Approvals	UL / CE / CCC / AS:NZS / EMC
<b>Physical</b>	Dimensions	2.36" Wide x 3.93" High
	Weight	2.55 lbs average weight per foot
	Housing	Aluminium Extrusion with anodised or powder-coated finish Standard colours powder-coated: white/black/silver/ custom on request
	Diffuser	Opaque Polycarbonate Diffuser / Clear Polycarbonate Diffuser
	Connections	Optional IP Rated polarised electrical connection between sections
	Compatible ceiling type	Suitable for drywall ceilings, metal pan, concrete, timber and T bar grid ceilings
	Mounting	Field adjustable rollerball wire suspensions / rod suspensions / wall mounting / surface mount / custom mounting
	Joiner options	(Non lit) 90° Butt bend / Tee Butt bend
	Operating temperatures	ProformaxS (-13°F to 140°F)
	Environment	Luminaire IP66 (Not in direct sunlight, diffuser must not face upwards).
	IK rating	IK11
	Minimum length adjustment	5.51"
	LED board types	ProformaxS boards and drivers in 3.93" / 11.02" / and 22.04" Zhaga compatible
	Vandal-proof	Available with anti-vandal fasteners
	Optional extras	Lanyards / Emergency packs / Camera / Environmental Plugs / Thermal throttle / IOT connectivity / Anti-Graffiti / Self Cleaning Coating / Halogen Free Diffuser / Anti Bird Roosting

# XTI | 2.0 Slot IP66 | IK11

## XTI AVAILABLE LENGTHS



## EXAMPLE OF A STANDARD LENGTH COMBINATION



## CREATING LENGTHS WITH THE XTI SERIES

The XTI range IP66 | IK11 set lengths can be coupled together in any combination to achieve the desired length.  
Note: Custom lengths are also available - Please consult your local office for information

## CREATING LENGTHS WITH XTI | 2.0 Series IP66 IK11

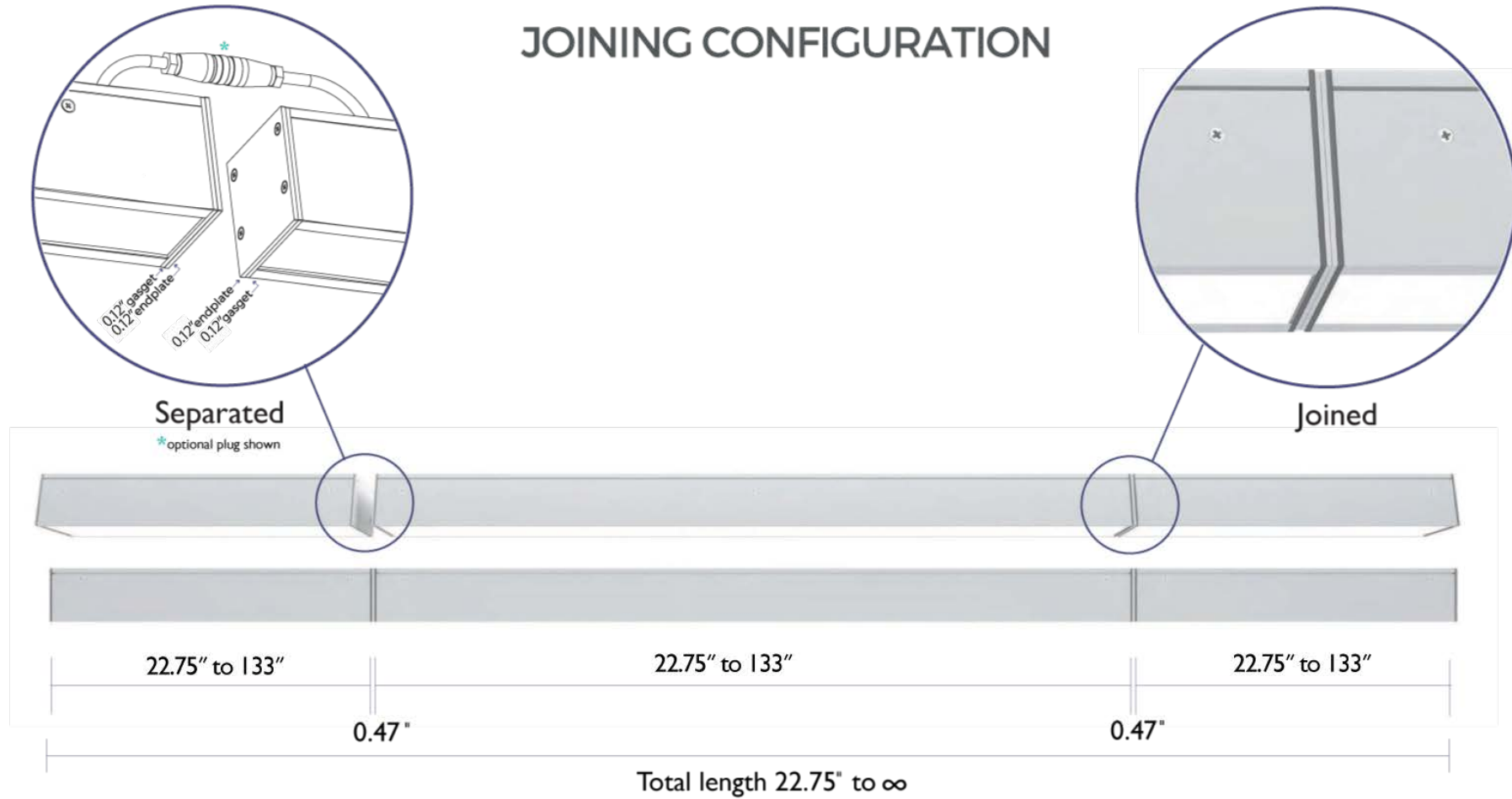
The XTI | 1.5 IP66 IK11 set lengths can be coupled together in any combination to achieve the desired length.  
Note: custom lengths are also available - please consult your local Xero office for information

The XTI | 1.5 IP66 IK11 set lengths can be coupled together in any combination to achieve the desired length.

## CUSTOM LENGTHS

Custom lengths are available in 0.98" increments

## JOINING CONFIGURATION

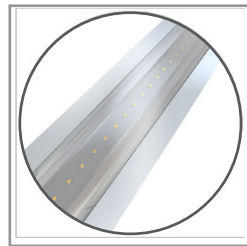




XTI | 2.0 Slot  
IK11 | IP66

# Optical control

XTI profiles come with many diffuser options for glare control in any application



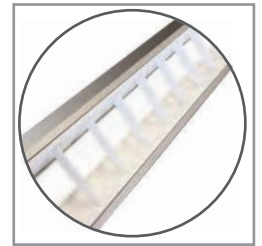
Clear  
Polycarbonate



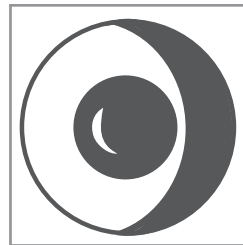
Opal  
Polycarbonate



Semi-specular  
Louvre



Optic white  
louvre

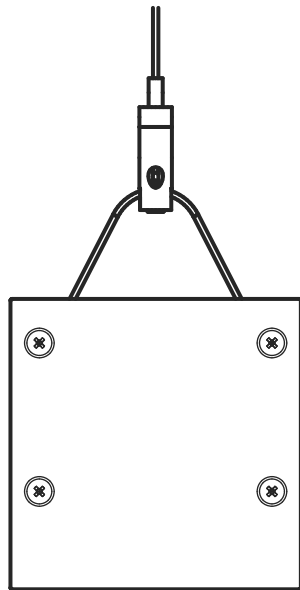
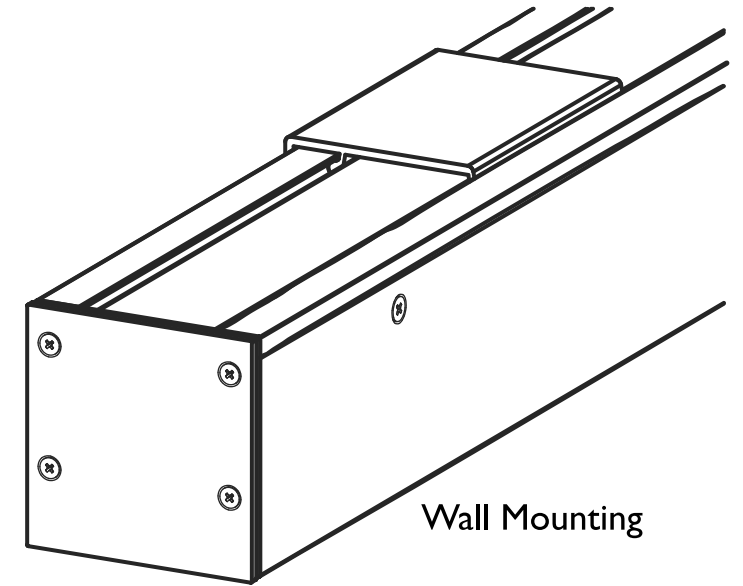
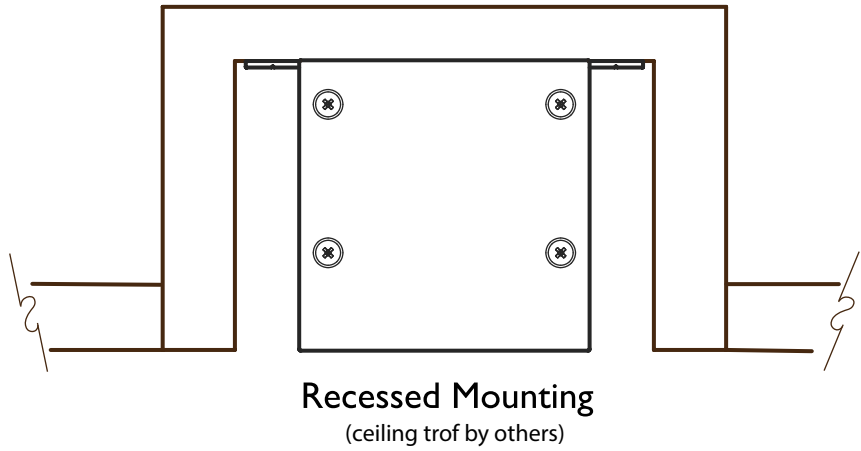


sensors / daylight  
harvesting

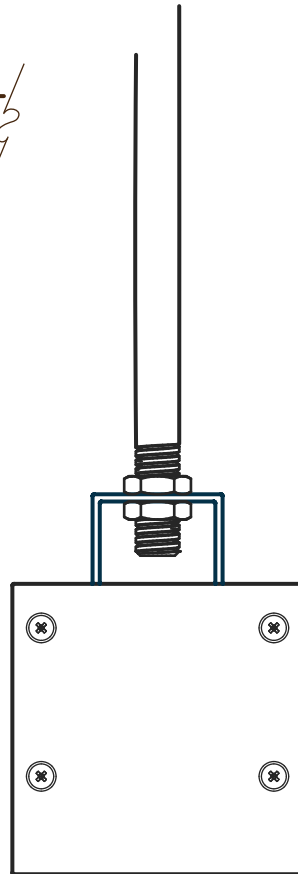


emergency packs

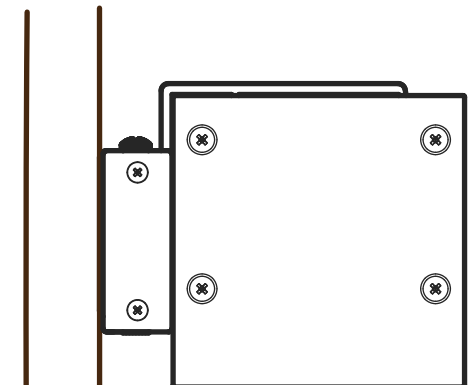
# MOUNTING



**Wire Suspension**



**Rod Suspension**



**Wall Mounting  
Side View**