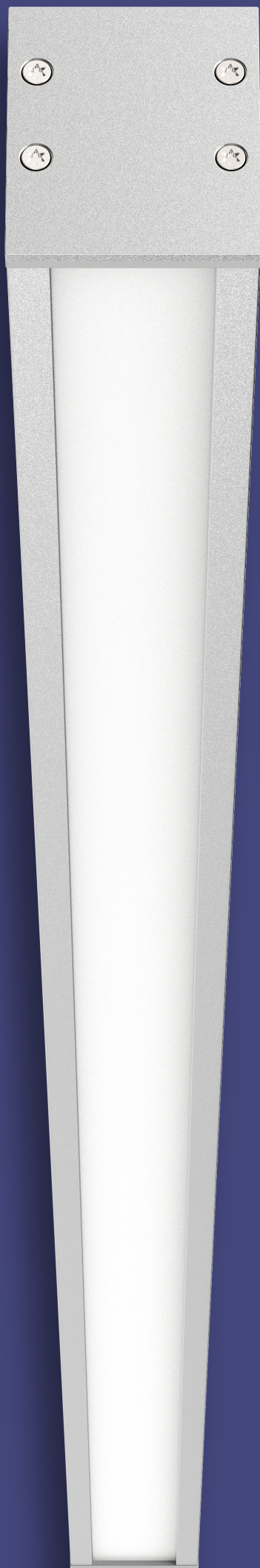


XERO
TECHNOLOGY
INFRASTRUCTURE



XTI | 2.0 Square IK 10+ | IP66

Size 2.75" Wide x 2.36" High

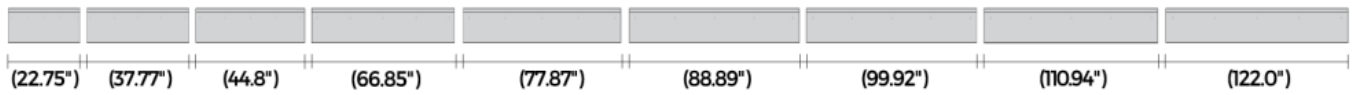


DATA TABLE

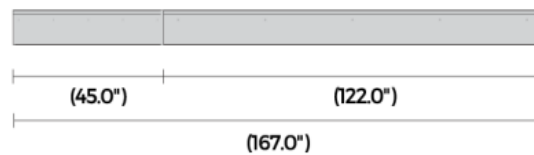
Output	CRI	80+
Warranty	ProformaxS	ProformaxS = 7 years
Electrical	Voltage input range	120 – 277V
	Control methods	Dimming options for white light: 0-10V, DALI, DMX Optional RGB / Sunset Dimming control DMX or DALI XI
	Approvals	UL / CE / CCC / AS:NZS / EMC
Physical	Dimensions	2.36" Wide x 2.75" High
	Weight	2.42 lbs average weight per foot
	Housing	Aluminium Extrusion with anodised or powder-coated finish Standard colours powder-coated: white/black/silver/ custom on request
	Diffuser	Opaque Polycarbonate Diffuser / Clear Polycarbonate Diffuser / Parabolic Louvre
	Connections	Optional IP Rated polarised electrical connection between sections
	Compatible ceiling type	Suitable for drywall ceilings, metal pan, concrete, timber and T bar grid ceilings
	Mounting	Field adjustable rollerball wire suspensions / rod suspensions / wall mounting / surface mount / custom mounting
	Joiner options	(Non lit) 90° Butt bend / Tee Butt bend
	Operating temperatures	ProformaxS (-13°F to 140°F)
	Environment	Luminaire IP66 (Not in direct sunlight, diffuser must not face upwards).
	IK rating	IK11
	Minimum length adjustment	5.51"
	LED board types	ProformaxS boards and drivers in 3.93" / 11.02" / and 22.04" Zhaga compatible
	Vandal-proof	Available with anti-vandal fasteners
	Optional extras	Lanyards / Emergency packs / Camera / Environmental Plugs / Thermal throttle / IOT connectivity / Anti-Graffiti / Self Cleaning Coating / Halogen Free Diffuser / Anti Bird Roosting

XTI | 2.0 Square IP66 | IK11

XTI AVAILABLE LENGTHS



EXAMPLE OF A STANDARD LENGTH COMBINATION



CREATING LENGTHS WITH THE XTI SERIES

The XTI range IP66 | IK11 set lengths can be coupled together in any combination to achieve the desired length.
Note: Custom lengths are also available - Please consult your local office for information

CREATING LENGTHS WITH XTI | 2.0 Series IP66 IK11

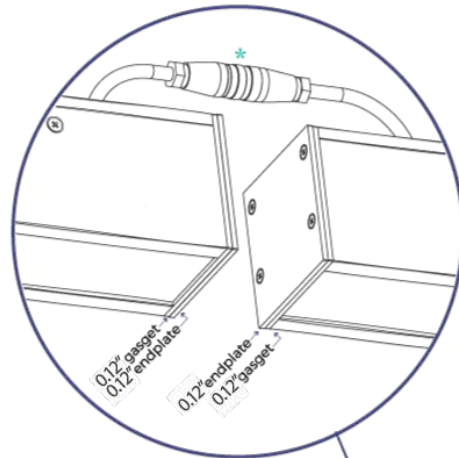
The XTI | 1.5 IP66 IK11 set lengths can be coupled together in any combination to achieve the desired length.
Note: custom lengths are also available – please consult your local Xero office for information

The XTI | 1.5 IP66 IK11 set lengths can be coupled together in any combination to achieve the desired length.

CUSTOM LENGTHS

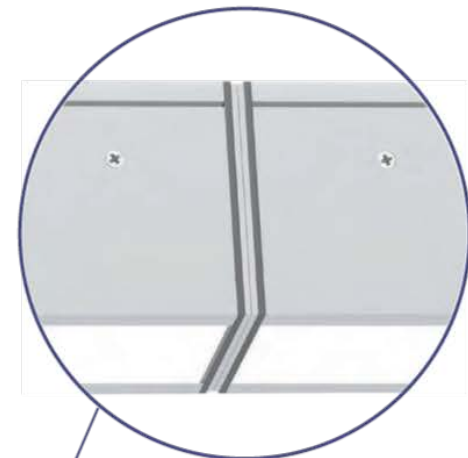
Custom lengths are available in 0.98" increments

JOINING CONFIGURATION

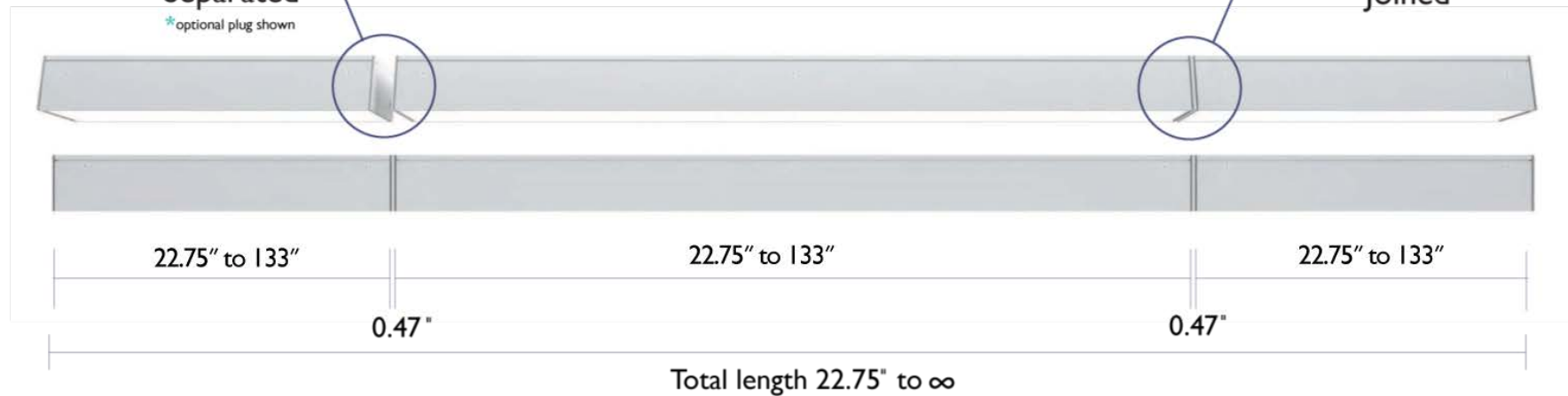


Separated

*optional plug shown



Joined

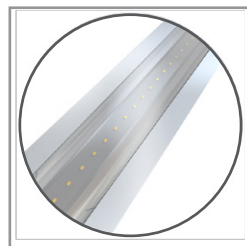




XTI | 2.0 Square
IP66 | IK11

Optical control

XTI profiles come with many diffuser options for glare control in any application



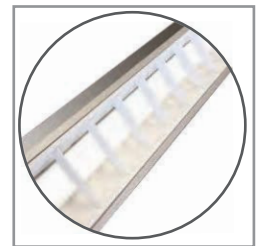
Clear
Polycarbonate



Opal
Polycarbonate



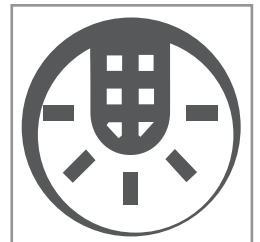
Semi-specular
Louvre



Optic white
louvre

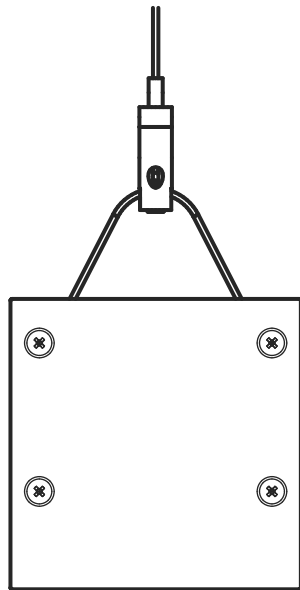
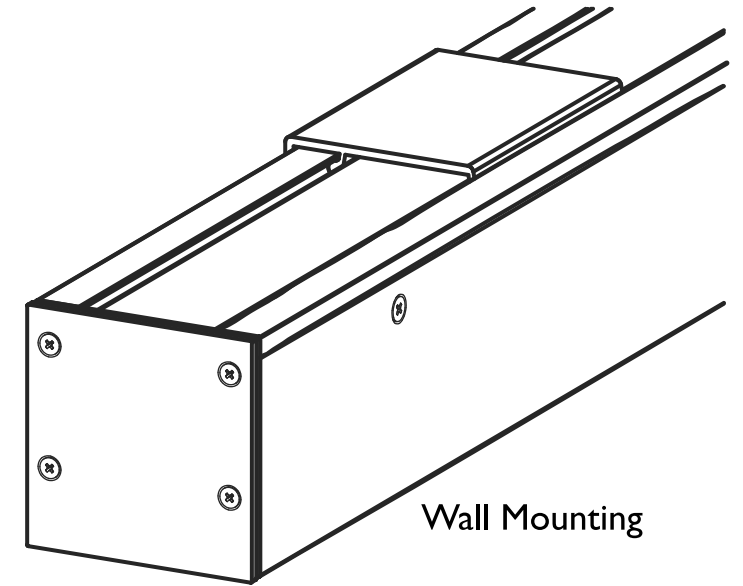
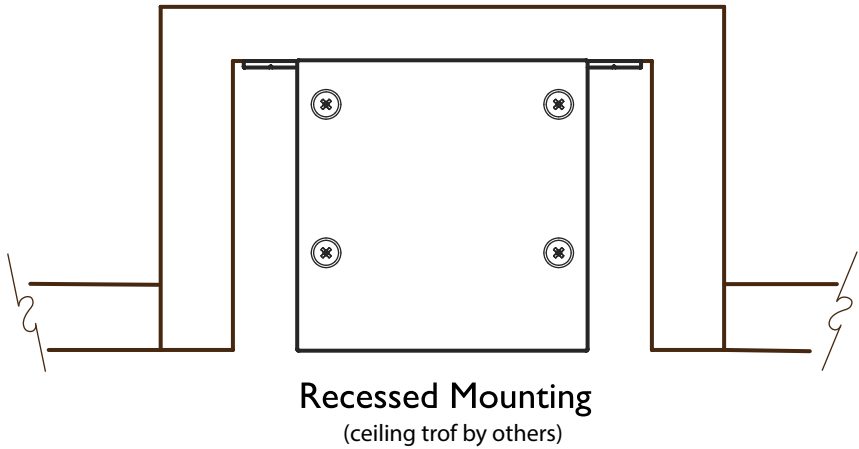


sensors / daylight
harvesting

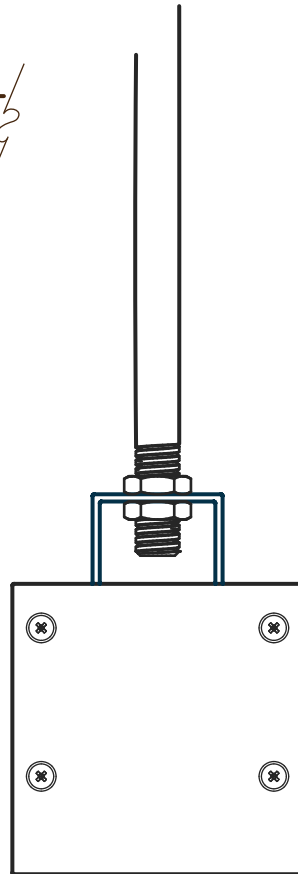


emergency packs

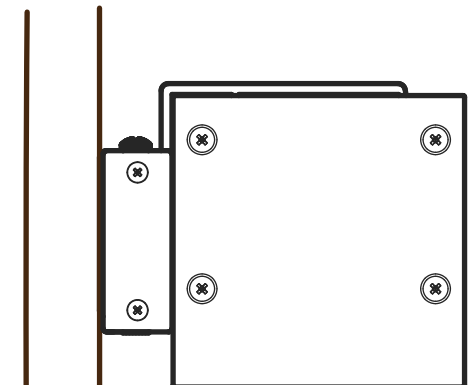
MOUNTING



Wire Suspension



Rod Suspension



**Wall Mounting
Side View**