

XTA | 2.0 Loop RECESSED

Imperial: 2.36 Wide x 3.93 High
(inc flanges 3.38 Wide)

- Recessed Mounted
- Removable Diffusers
- Light Leak Free Joins



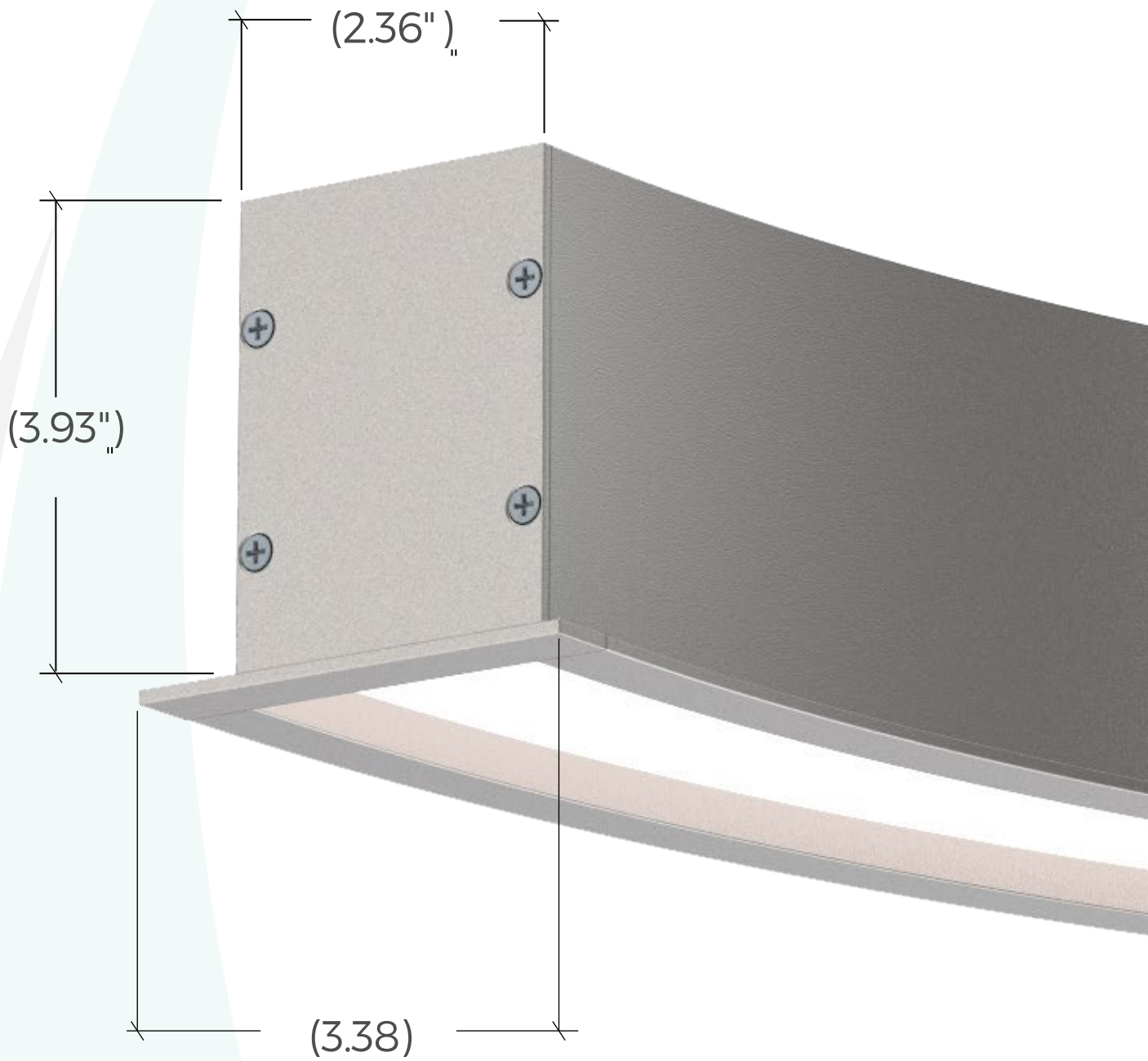
INTRODUCING
XTA | 2.0 LOOP RECESSED

Xero Linear Lighting Systems presents the new XTA 2.0 LOOP Recessed incorporating all the technical features of our industry leading XTA range. The XTA 2.0 LOOP Recessed profile allows you the ability to form myriad of shapes and sizes from simple curved corners to the most complex configuration only limited by your imagination.

The XTA 2.0 LOOP Recessed comes standard with Proformax CRI 90 boards for optimum colour rendition in all environments –
L80 B10 82,000hours

XTA | 2.0 LOOP RECESSED

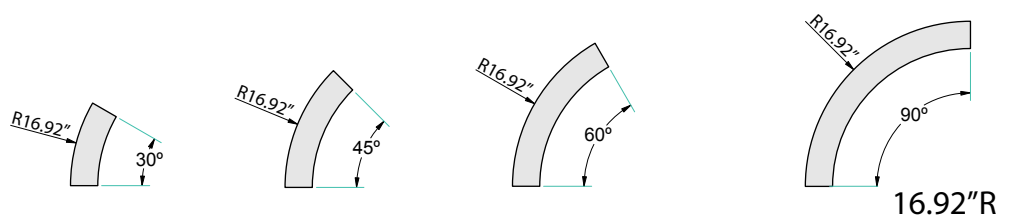
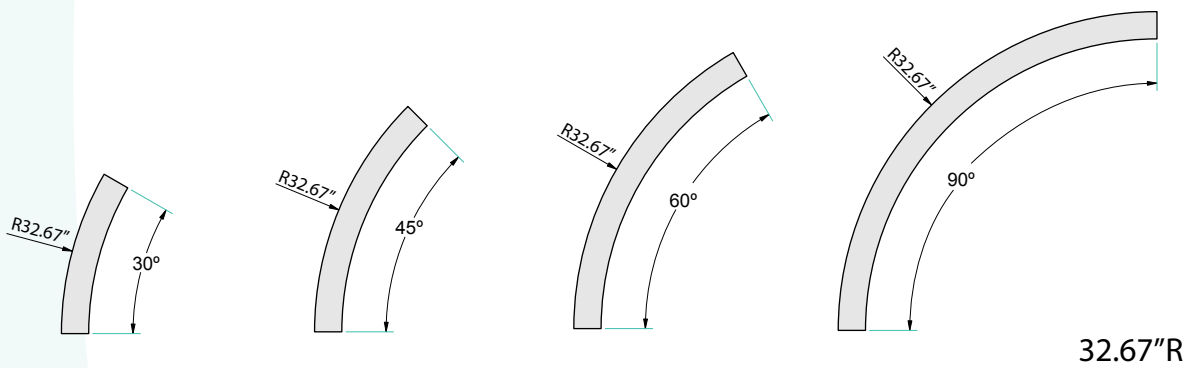
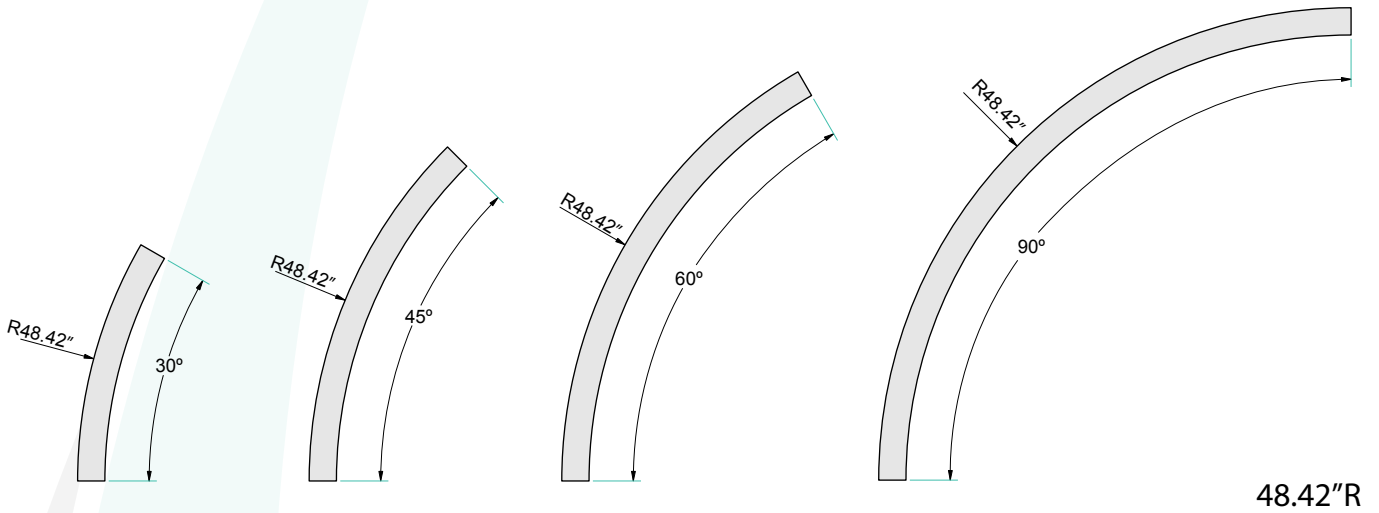
Dimensions



XTA | 2.0 LOOP RECESSED

Standard Bend Options

(*Any radii available above 11.81" is also possible)

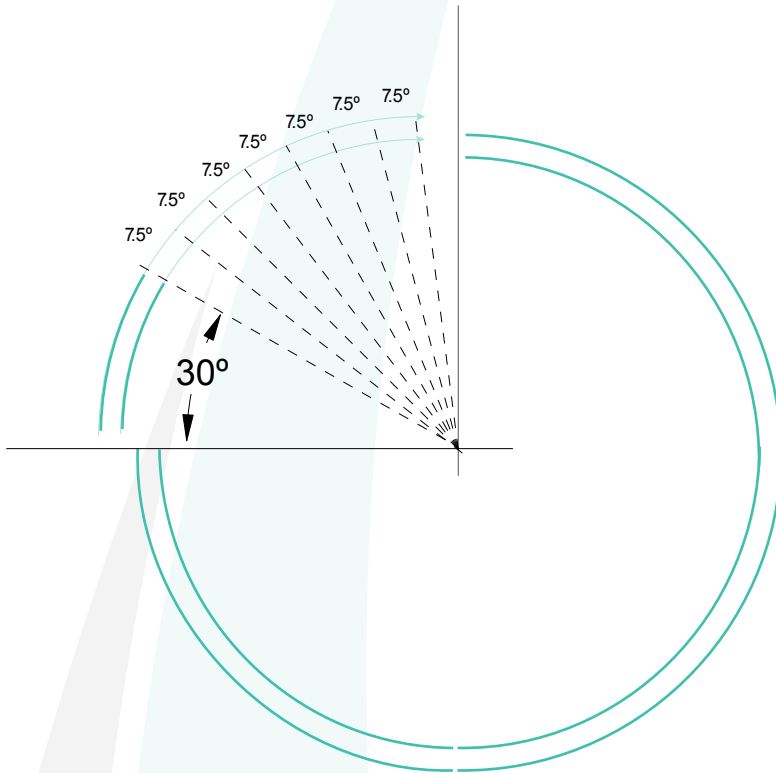


*Other custom radii available on request

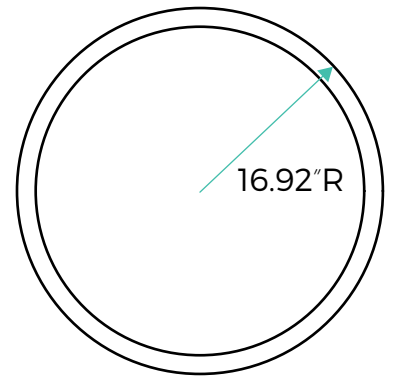
All radii bends can have integral drivers provided they join a straight section or are ≥ 48.42 "R

XTA 2.0 LOOP RECESSED

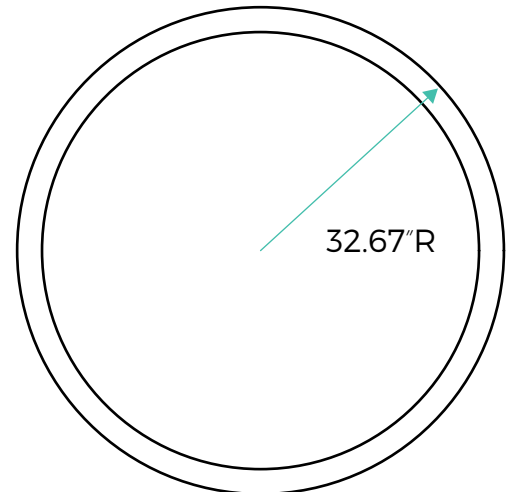
Standard Arc Options



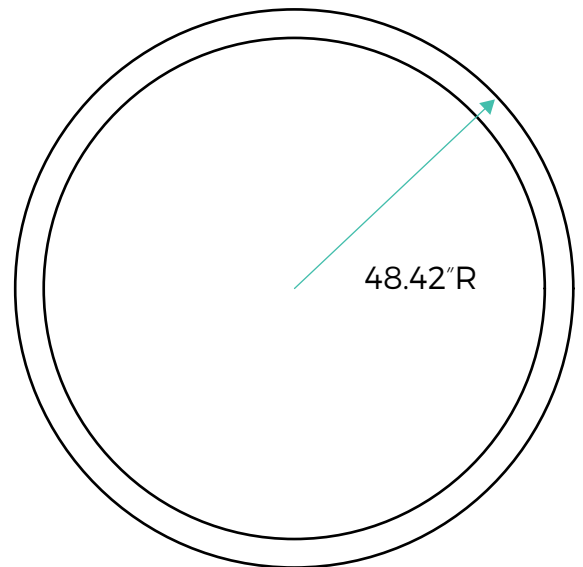
Minimum 30° segment
then each segment can be
increased in 7.5° increments
Arc segments below
48.42°R have remote drivers



16.92"R



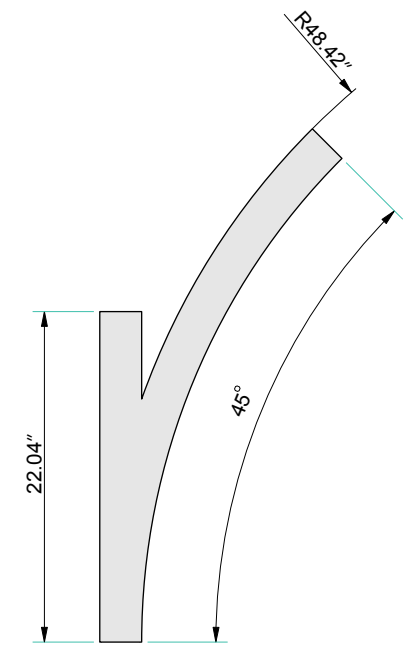
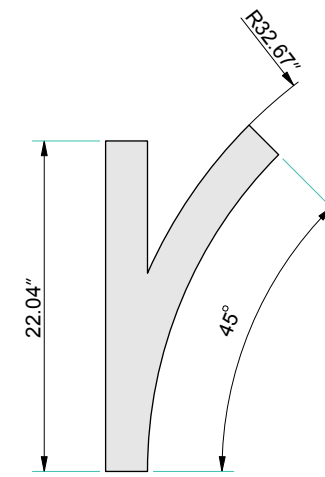
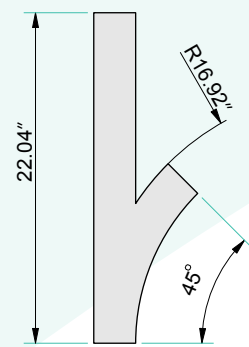
32.67"R



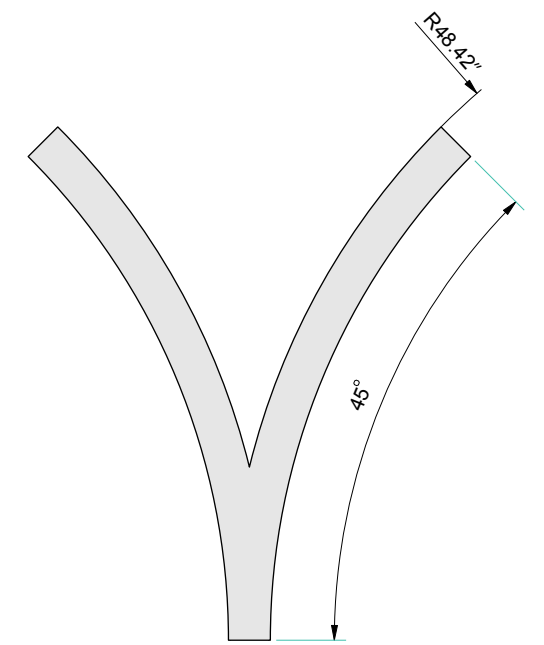
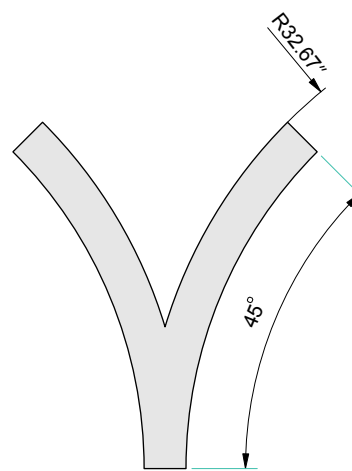
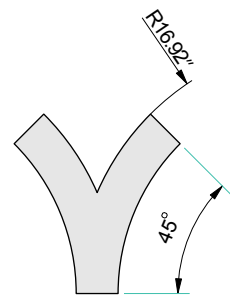
48.42"R

Other options available on request

XTA 2.0 LOOP RECESSED Standard Connections



Y Bends



V Bends

Other options available on request

Data Table

Output	CRI	80+
Warranty	Proformax	7 years
Electrical	Voltage input range	120 – 277V
	Control methods	Dimming options for white light: 0-10V, DALI, DMX Optional RGB / Sunset Dimming control DMX or DALI XI
	Total harmonic distortion THD	9.8% max
	Approvals	UL / CE / CCC / AS:NZS / EMC
Physical	Dimensions	2.36" Wide (including flange 3.38" Wide) x 3.93" High
	Weight	2.48 Lbs per foot
	Housing	Aluminium Extrusion with anodised or powder-coated finish Standard colours powder-coated: white/black/silver/ custom on request
	Diffuser	Polycarbonate Opal Diffuser/ Clear Polycarbonate Diffuser
	Connections	Speed connect joining system with polarised electrical connection between sections
	Compatible ceiling type	Suitable for drywall ceilings, metal pan, concrete, timber and T bar grid ceilings
	Mounting	Drywall clips as standard
	Mitre Bend options	Lit corner 90° Cross 90° Tee 90° Straight 180° (No unlit)
	Endplate Options	Conseal flat or optional curved end plates
	Operating temperatures	ProformaxS – (-13°F to 140°F)
	Environment	Dry indoor application only IP20
	Minimum length adjustment	5.51"
	LED Board types	ProformaxS boards in 5.51" / 11.02" / 22.0" lengths Zhaga compatible
Optional Extras	Emergency packs	

Technologies

First of it's kind light leak free system

There are no light leaks in the usual places like end plates, diffuser expansion gaps and at joins where two or more pieces are connected together.

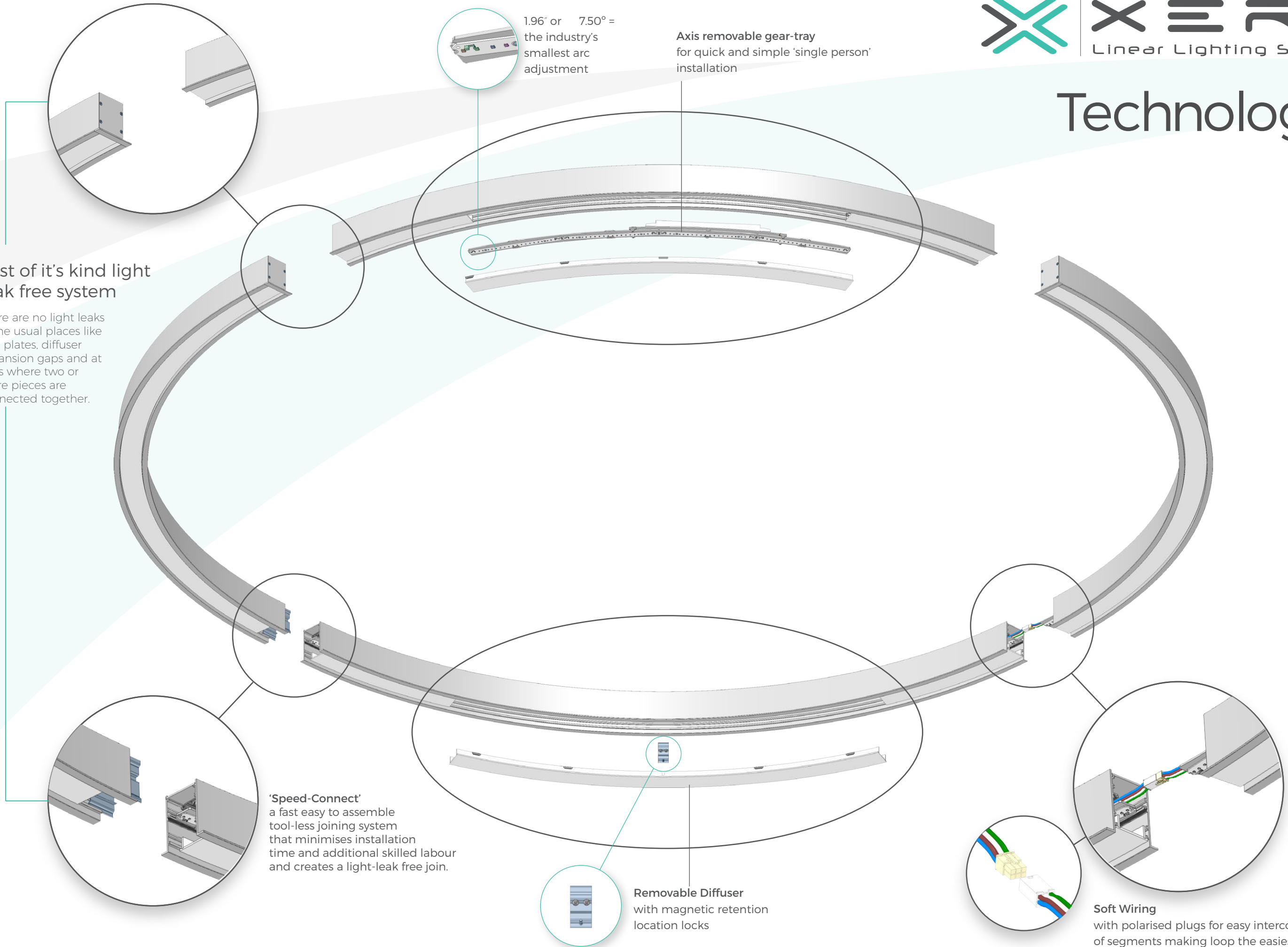
1.96" or 7.50° = the industry's smallest arc adjustment

Axis removable gear-tray for quick and simple 'single person' installation

'Speed-Connect' a fast easy to assemble tool-less joining system that minimises installation time and additional skilled labour and creates a light-leak free join.

Removable Diffuser with magnetic retention location locks

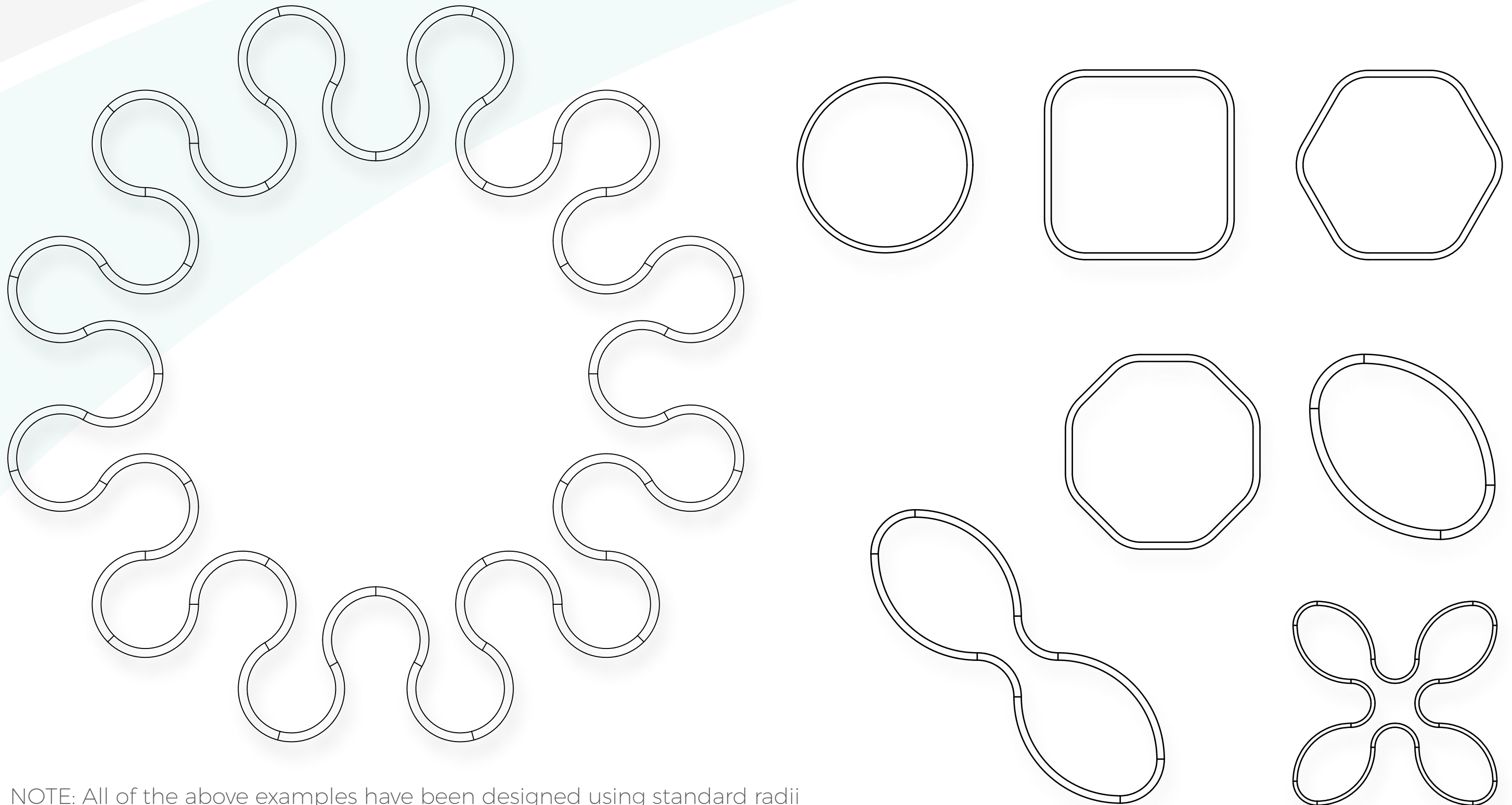
Soft Wiring with polarised plugs for easy interconnection of segments making loop the easiest curved profile on the market to install



XTA|2.0 LOOP RECESSED

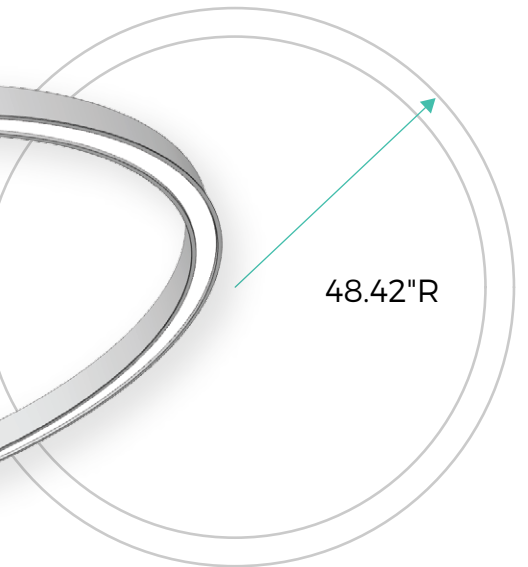
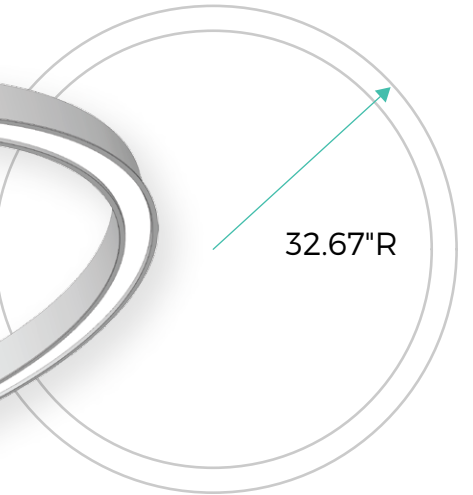
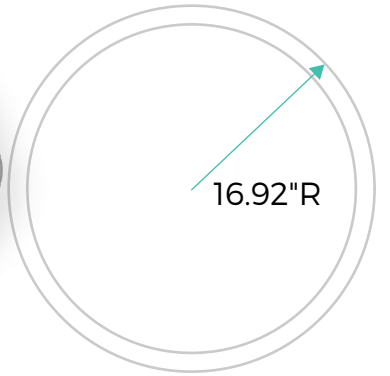
Some examples of Shapes and Sizes

The LOOP series has the ability to form myriad of shapes and sizes from simple curved corners to the most complex configuration only limited by your imagination



NOTE: All of the above examples have been designed using standard radii

XTA | 2.0 LOOP RECESSED Standard Rings



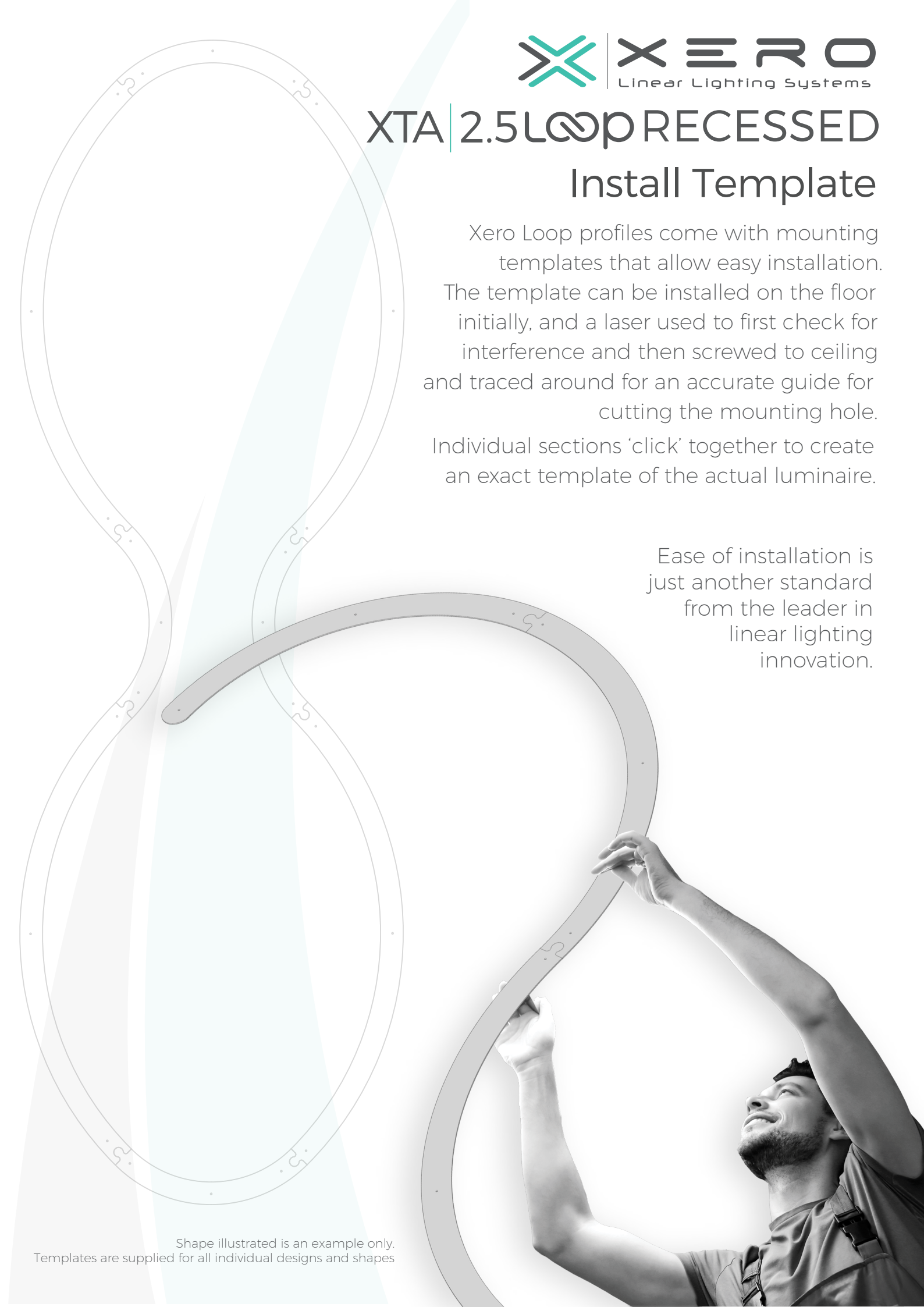
Custom size rings available on request

XTA | 2.0 LOOP RECESSED

Install Template

Xero Loop profiles come with mounting templates that allow easy installation. The template can be installed on the floor initially, and a laser used to first check for interference and then screwed to ceiling and traced around for an accurate guide for cutting the mounting hole. Individual sections 'click' together to create an exact template of the actual luminaire.

Ease of installation is just another standard from the leader in linear lighting innovation.



Shape illustrated is an example only.
Templates are supplied for all individual designs and shapes