

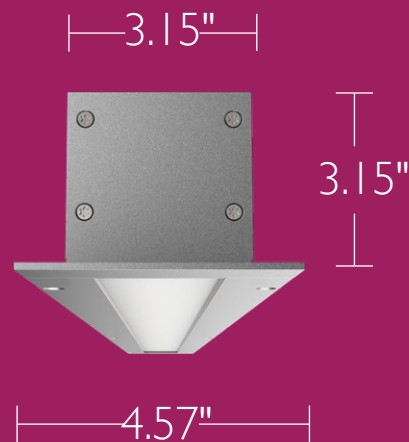
XERO
TECHNOLOGY
INFRASTRUCTURE RAIL

XTI·R

XTI|3.0 RWF Recessed (Wide Flange) IP66 | IK11

Size

3.15" Wide x 3.15"
(inc flange 4.57" Wide)



PROFORMAX
LIGHT ENGINES

STANDARD
QUALITY ASSURED
7 YEAR
WARRANTY

*image features Semi Specular Louvre option

Version I

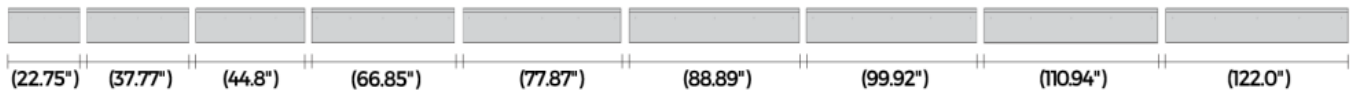
28th Feb 2023

DATA TABLE

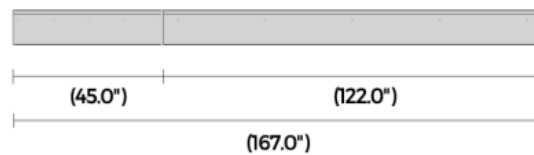
Output	CRI	80+
Warranty	ProformaxS	ProformaxS = 7 years
Electrical	Voltage input range	120 – 277V
	Control methods	Dimming options for white light: 0-10V, DALI, DMX Optional RGB / Sunset Dimming control DMX or DALI XI
	Approvals	UL / CE / CCC / AS:NZS / EMC
Physical	Dimensions	3.15" Wide (4.56" inc flange) x 3.15" High
	Weight	3.01 lbs average weight per foot
	Housing	Aluminium Extrusion with anodised or powder-coated finish Standard colours powder-coated: white/black/silver/ custom on request
	Diffuser	Opaque Polycarbonate Diffuser / Clear Polycarbonate Diffuser / Parabolic Louvre
	Connections	Optional IP Rated polarised electrical connection between sections
	Compatible ceiling type	Suitable for drywall ceilings, metal pan, concrete, timber and T bar grid ceilings
	Mounting	Wire Suspension, Surface mount (with external bracket), Wall Blocks, End wall Bracket
	Joiner options	(Non lit) 90° Butt bend / Tee Butt bend
	Operating temperatures	ProformaxS (-13°F to 140°F)
	Environment	Luminaire IP66 (Not in direct sunlight, diffuser must not face upwards).
	IK rating	IK11
	Minimum length adjustment	5.51"
	LED board types	ProformaxS boards and drivers in 3.93" / 11.02" / and 22.04" Zhaga compatible
	Vandal-proof	Available with anti-vandal fasteners
	Optional extras	Lanyards / Emergency packs / Camera / Environmental Plugs / Thermal throttle / IOT connectivity / Anti-Graffiti / Self Cleaning Coating / Halogen Free Diffuser / Anti Bird Roosting

XTI-R | 3.0 R WF Recessed IP66 | IK11

XTI AVAILABLE LENGTHS



EXAMPLE OF A STANDARD LENGTH COMBINATION



CREATING LENGTHS WITH THE XTI SERIES

The XTI range IP66 | IK11 set lengths can be coupled together in any combination to achieve the desired length.
Note: Custom lengths are also available - Please consult your local office for information

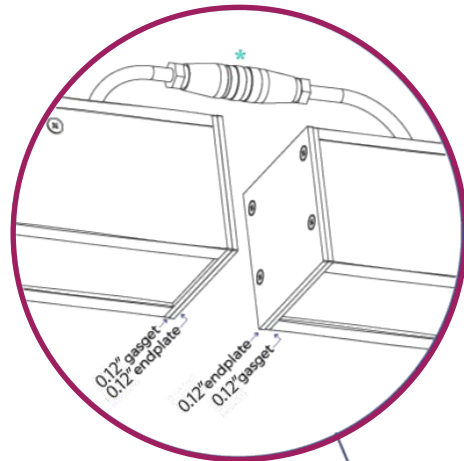
CREATING LENGTHS WITH XTI Series IP66 IK11

The XTI series set lengths can be coupled together in any combination to achieve the desired length.
Note: custom lengths are also available - please consult your local Xero office for information

CUSTOM LENGTHS

Custom lengths are available in 0.98" increments

JOINING CONFIGURATION



Separated

*optional plug shown



Joined



XTI | 3.0 R WF Recessed Joining System

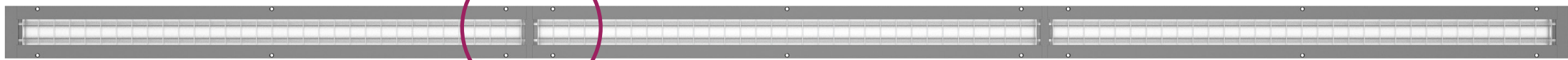
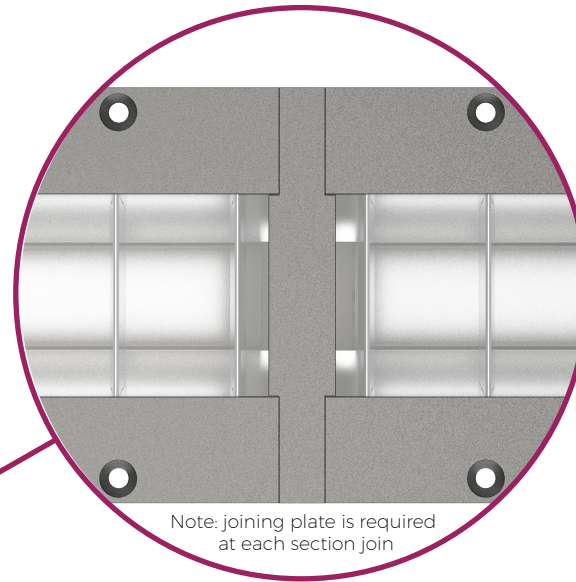
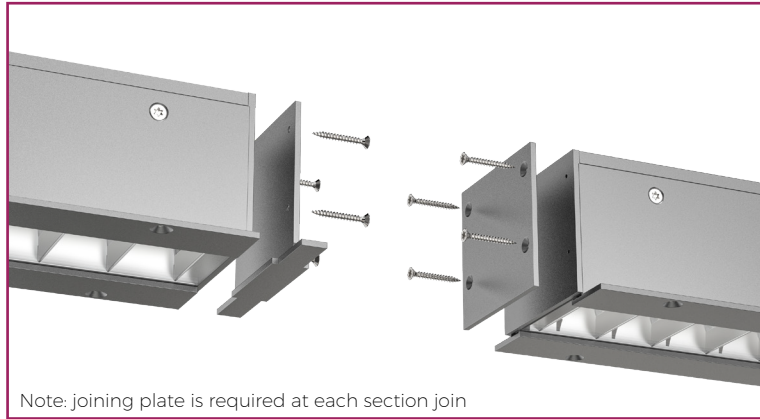
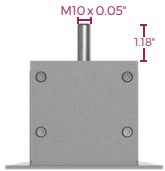
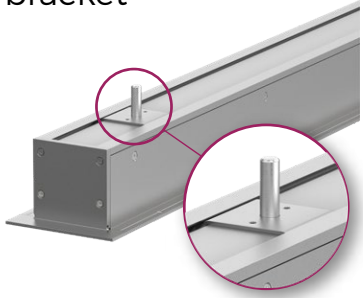


illustration is featured with semi specular louvre

XTI | 3.0 R WF Recessed | Mounting Options

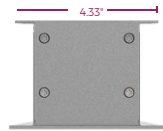
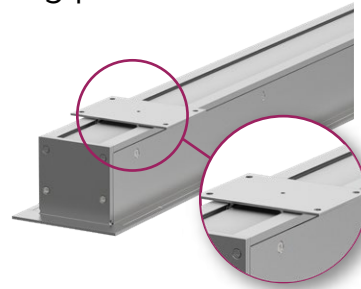


Sliding threaded stud bracket



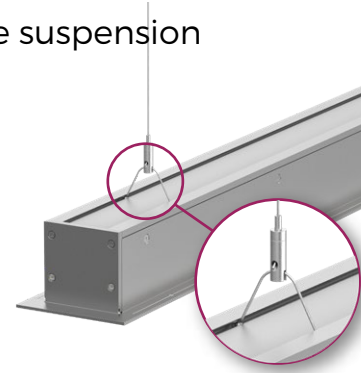
Thread height = 1.18" Thread diameter = M10 x 0.05"

Sliding surface mounting plate

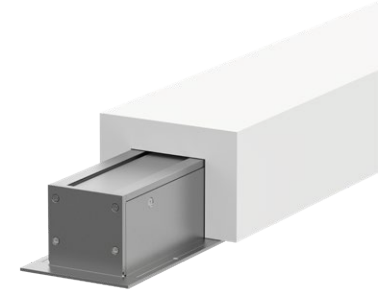


Size of mounting plate 4.33" wide x 3.15" deep with 4 x 0.21" diameter holes
Mounting Plate Part No. X-665

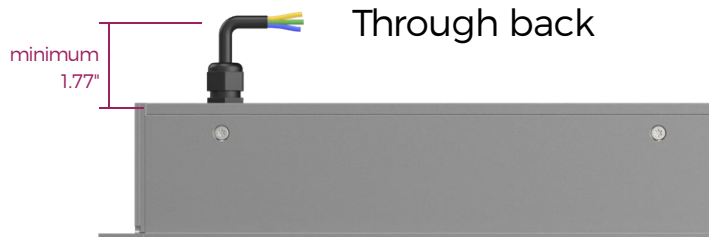
Wire suspension Kit



Recessed

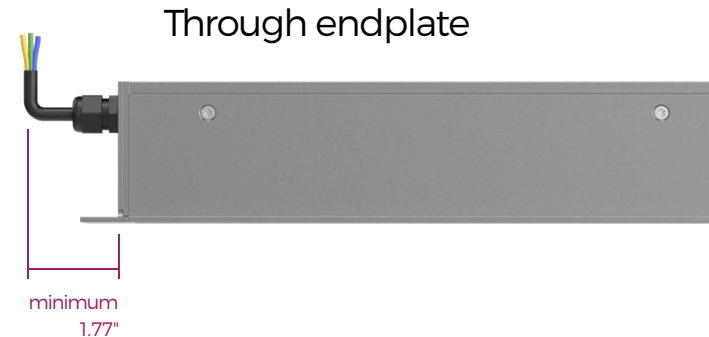


XTI | 3.0 R WF Recessed | IP Gland + Power entry flex options



Through back

minimum 1.77"



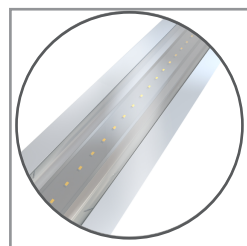
Through endplate

minimum 1.77"

XTI-R | 3.0 R WF Recessed IP66 | IK11

Optical control

XTI profiles come with many diffuser options for glare control in any application



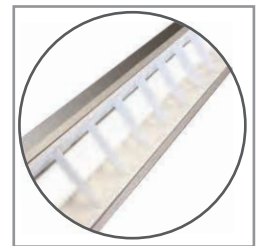
Polycarbonate
Clear



Polycarbonate
Opaque



Semi-specular
Louvre



Optic white
louvre



vandal proof



ewis speaker



emergency packs