

XERO
TECHNOLOGY
INFRASTRUCTURE



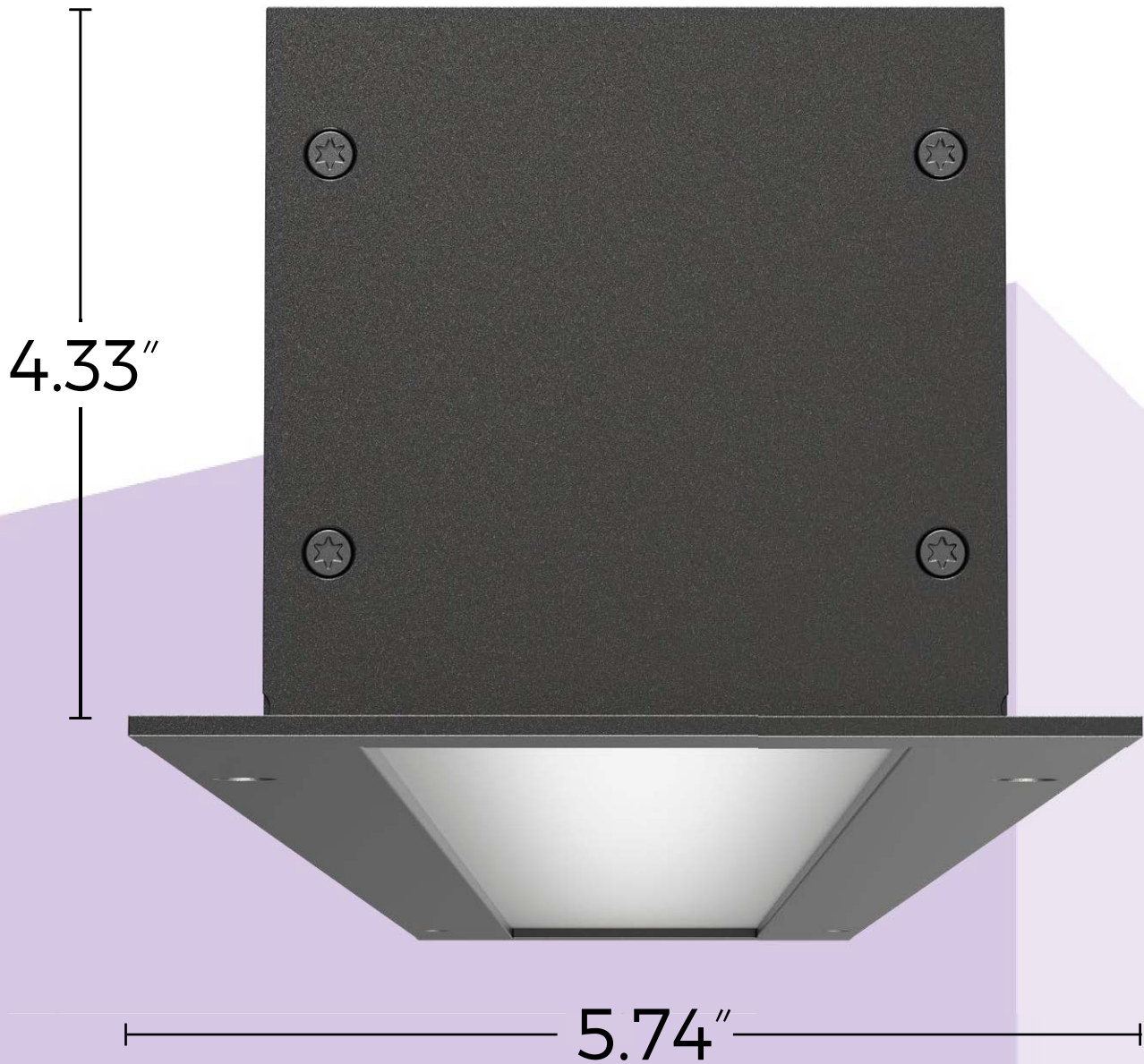
XTI | 4.0 Recessed
(WF) Wide Flange

IK11 | IP66

Size | 5.74" x 4.33"



XTI | 4.0 Recessed
(WF) Wide Flange



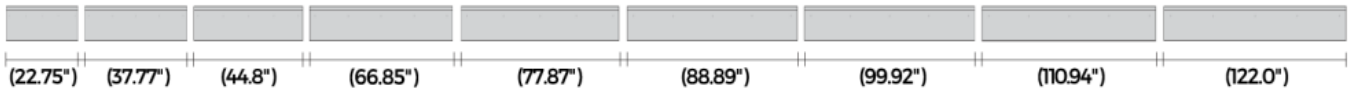
XTI | 4.0 Recessed (WF) Wide Flange IP66 | IK11

DATA TABLE

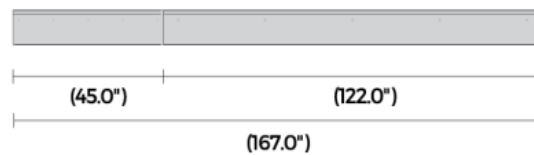
Output	4ft Length	Delivered Lumens / LO = 4300
	CRI	80+
Warranty	Proformax	7 years
Electrical	Voltage input range	120 – 277V
	Control methods	Dimming options for white light: 0-10V, DALI, DMX Optional RGB / Sunset Dimming control DMX or DALI XI
	Total harmonic distortion THD	9.8% max
	Approvals	UL / CE / CCC / AS:NZS / EMC
Physical	Dimensions	5.74" Wide x 4.33" High
	Weight	3.12 lbs average weight per foot
	Housing	Aluminium Extrusion with anodised or powder-coated finish Standard colours powder-coated: white/black/silver/ custom on request
	Diffuser	PlexiGlass
	Connections	Optional IP Rated polarised electrical connection between sections
	Compatible ceiling type	Suitable for drywall ceilings, metal pan, concrete, timber and T bar grid ceilings
	Mounting	Recessed Flange Mounted, Sliding Thread Stud Bracket, Sliding Surface Mounting Plate, Wire Suspension Kit
	Joiner options	(Non lit) 90° Butt bend / Tee Butt bend
	Operating temperatures	ProformaxS – (-13°F to 140°F)
	Environment	Luminaire IP66 (Not in direct sunlight, diffuser must not face upwards).
	Minimum length adjustment	5.51"
	LED Board types	ProformaxS boards in 5.51" / 11.02" / 22.0" lengths Zhaga compatible
	Optional Extras	Emergency packs

XTI | 4.0 Recessed IP66 | IK11

XTI AVAILABLE LENGTHS



EXAMPLE OF A STANDARD LENGTH COMBINATION



CREATING LENGTHS WITH THE XTI SERIES

The XTI range IP66 | IK11 set lengths can be coupled together in any combination to achieve the desired length.
Note: Custom lengths are also available - Please consult your local office for information

CREATING LENGTHS WITH XTI | 4.0 Series IP66 IK11

The XTI | 4.0 IP66 IK11 set lengths can be coupled together in any combination to achieve the desired length.
Note: custom lengths are also available - please consult your local Xero office for information

The XTI | 4.0 IP66 IK11 set lengths can be coupled together in any combination to achieve the desired length.

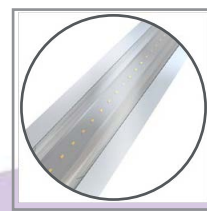
CUSTOM LENGTHS

Custom lengths are available in 0.98" increments

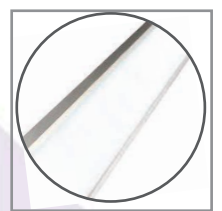
XTI | 4.0 Recessed (WF) Wide Flange

Optical control

XTI profiles come with many diffuser options for glare control in any application



Clear
Polycarbonate



Opal
Polycarbonate



Vandal proof
option



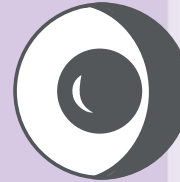
EWIS speaker
option



LED
downlight



Spitfire
emergency



Sensors / daylight
harvesting



Emergency
packs