

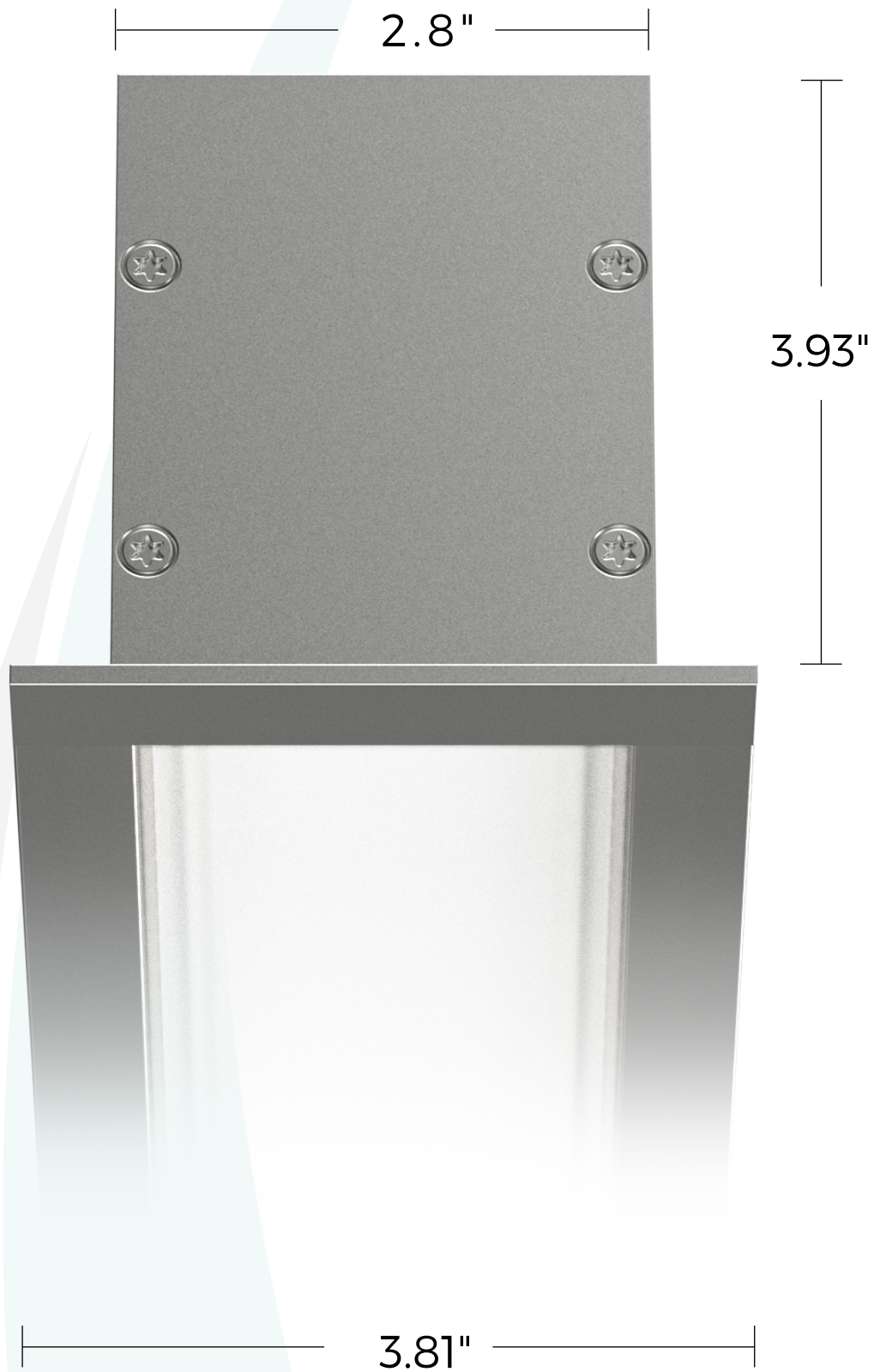


XTA | 2.5 Loop Recessed

iD55



XTA | 2.5 Loop Recessed IP55

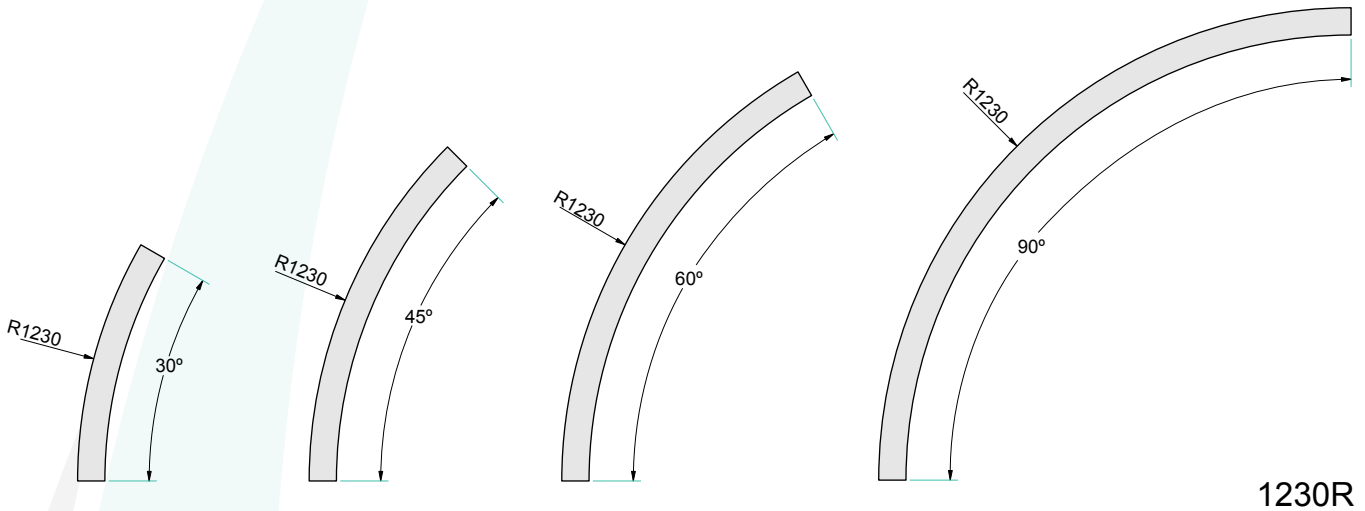


Data Table

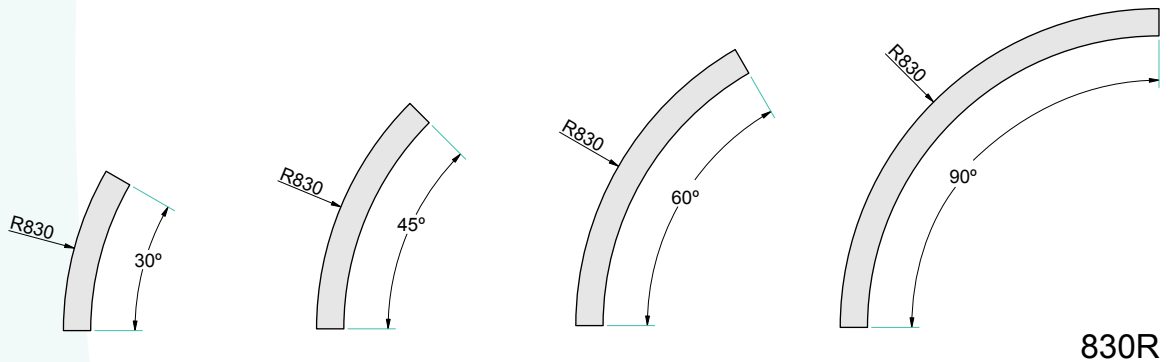
Output	CRI	90+
Warranty	Proformax S	7 years
Electrical	Voltage input range	120 – 277V
	Control methods	Dimming options for white light: 0-10V
	Total harmonic distortion THD	<10%
	Approvals	UL / CE / CCC / AS:NZS / EMC
Physical	Dimensions	2.36" Wide (2.87" inc flange) x 2.95" High
	Weight	1.95 Lbs weight per foot
	Housing	Aluminium Extrusion with anodised or powder-coated finish Standard colours powder-coated: white/black/silver/ custom on request
	Diffuser	Plexiglass / Polycarbonate lens / Microprism lens / Low UGR Plexiglass
	Connections	Speed connect joining system with polarised electrical connection between sections
	Compatible ceiling type	Suitable for drywall ceilings, metal pan, concrete, timber and T bar grid ceilings
	Mounting	Drywall clips as standard
	Joiner options	Lit corner 90° / Cross 90° / Tee 90° / Straight 180° Join
	Operating temperatures	ProformaxS – (-13°F to 95°F)
	Environment	IP55 (Not in direct sunlight)
	Minimum length adjustment	5.51"
	LED Board types	ProformaxS boards in 5.51" / 11.02" / 22.05" lengths Zhaga compatible
	Optional Extras	Emergency packs

XTA | 2.5 Loop Recessed IP55

Standard Bend Options



1230R



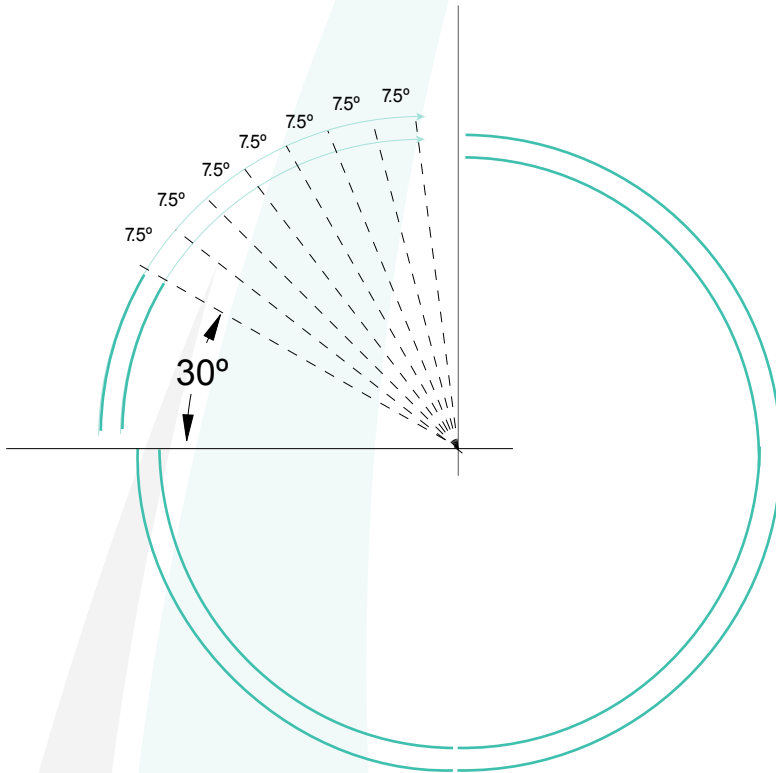
830R

*Other custom radii available on request

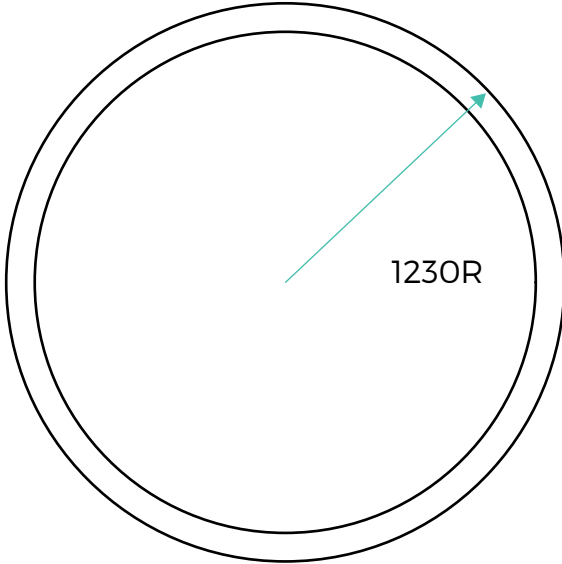
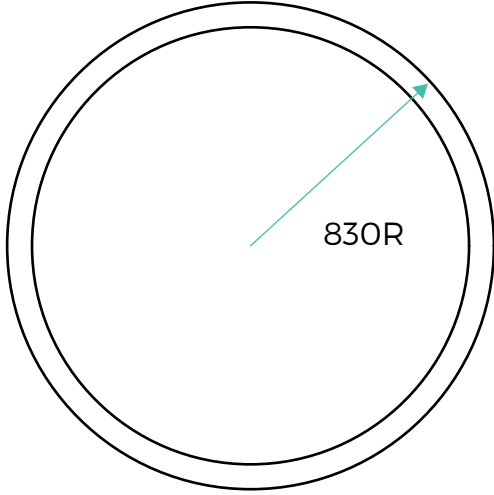
All radii bends can have integral drivers provided they adjoin a straight section or are $\geq 1230R$

XTA | 2.5 Loop Recessed IP55

Standard Arc Options



Minimum 30° segment
then each segment can be
increased in 7.5° increments
Arc segments below
1230R have remote drivers



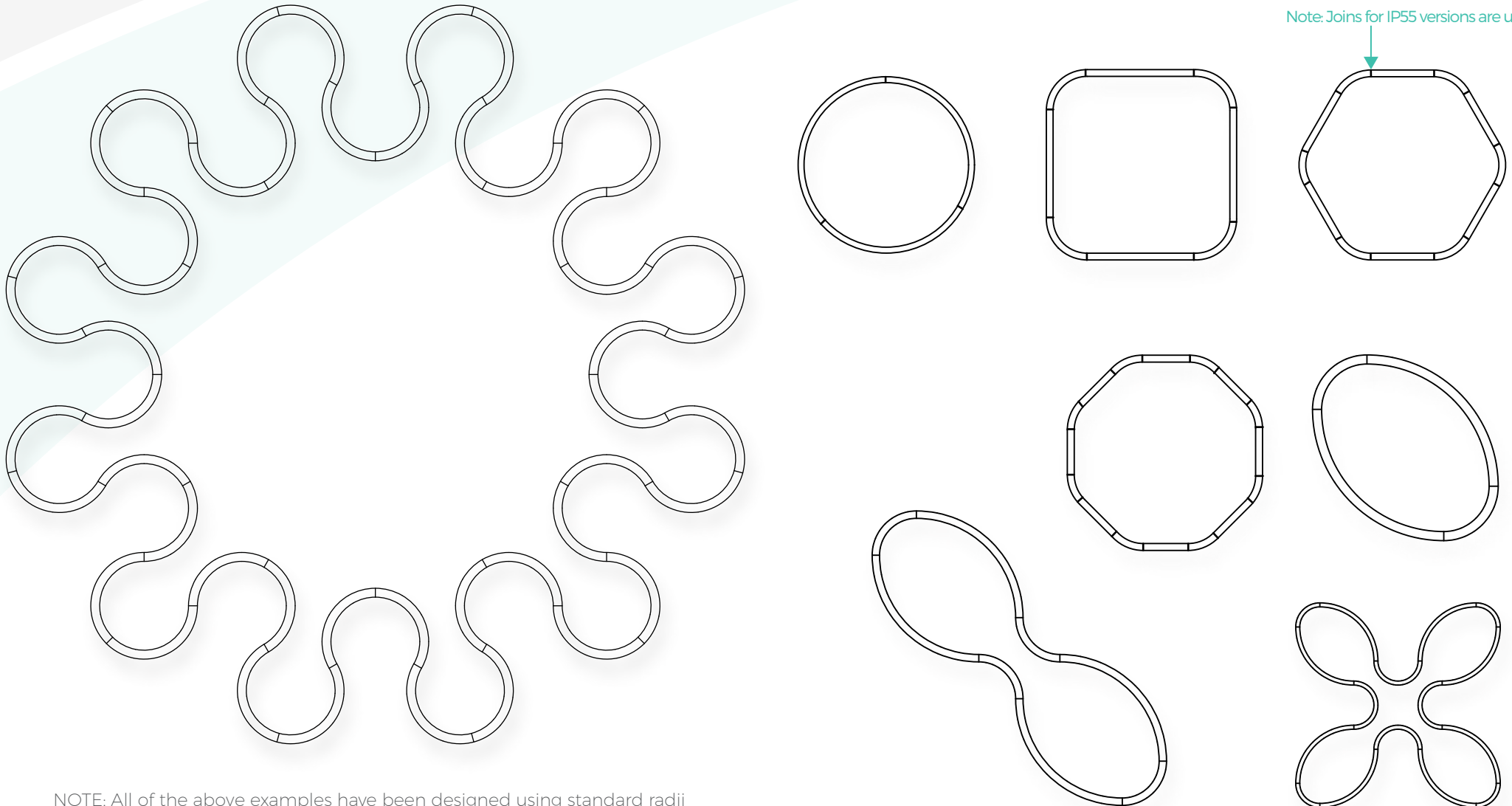
Other options available on request

XTA | 2.5 Loop Recessed IP55

Some examples of Shapes and Sizes

The LOOP series has the ability to form myriad of shapes and sizes from simple curved corners to the most complex configuration only limited by your imagination.

Note: Joins for IP55 versions are unlit



NOTE: All of the above examples have been designed using standard radii

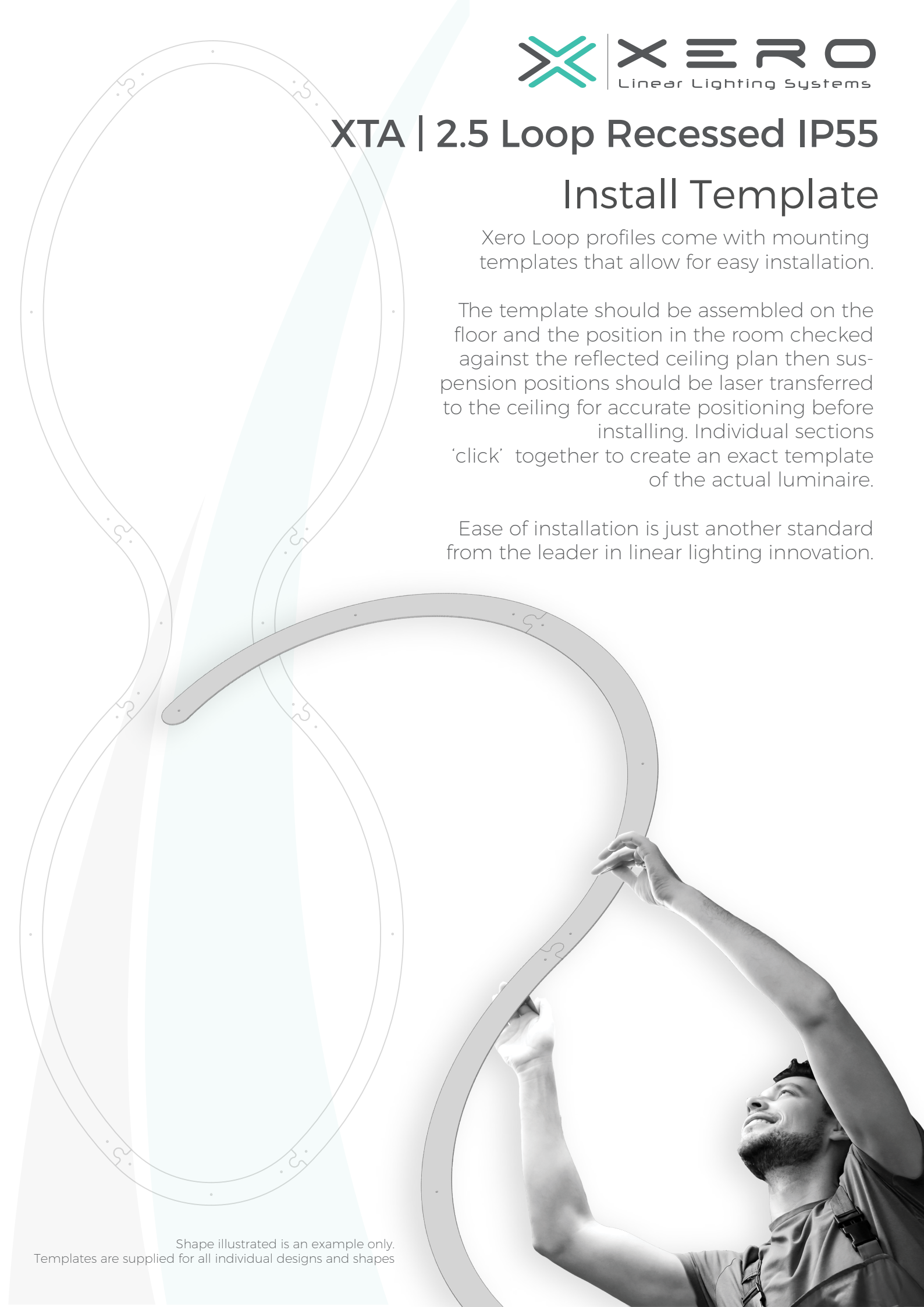
XTA | 2.5 Loop Recessed IP55

Install Template

Xero Loop profiles come with mounting templates that allow for easy installation.

The template should be assembled on the floor and the position in the room checked against the reflected ceiling plan then suspension positions should be laser transferred to the ceiling for accurate positioning before installing. Individual sections 'click' together to create an exact template of the actual luminaire.

Ease of installation is just another standard from the leader in linear lighting innovation.



Shape illustrated is an example only.
Templates are supplied for all individual designs and shapes