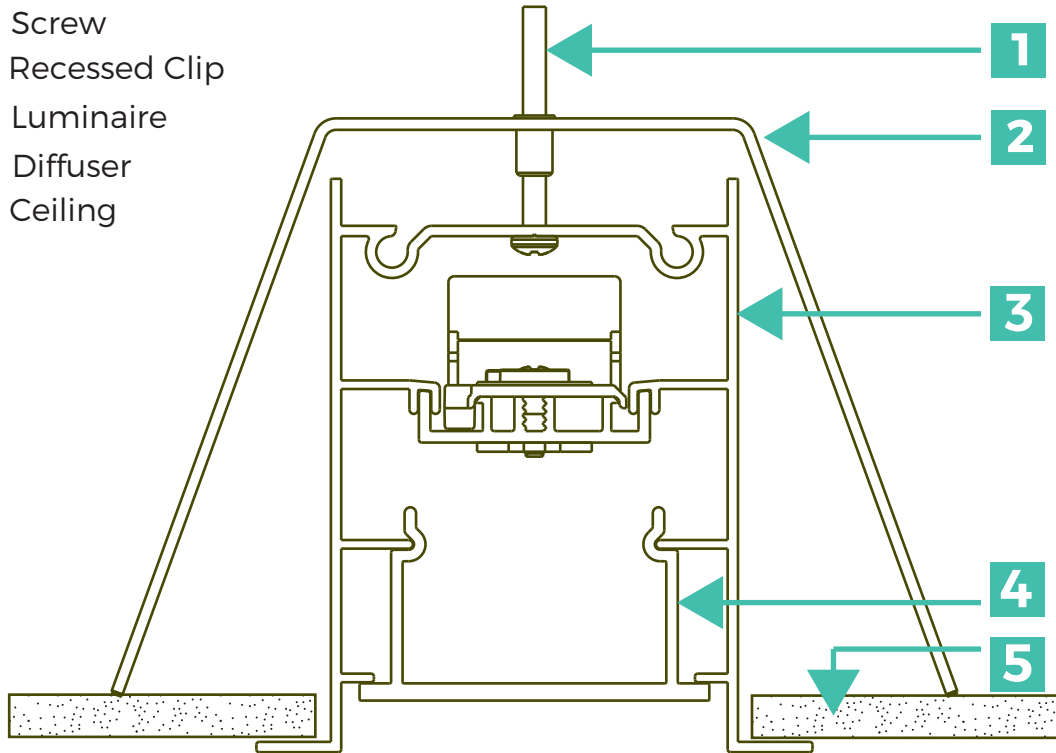


INSTALLATION INSTRUCTION

- 1 Screw
- 2 Recessed Clip
- 3 Luminaire
- 4 Diffuser
- 5 Ceiling



1

Recessed Clip and Luminaire

Suspension Plan

Note: Ensure ceiling construction can support luminaire weight

Determine mounting location

3 Ceiling opening width = $W + 7\text{mm}$

Ensure ceiling cut out is the correct length and width

4

Fix templates provided to ceiling and trace cut-out shape.

Note: Template parts have interlocking ends

5

Remover diffuser

Note: Position diffuser relative to body section

6 Remove geartray

Note: Only remove the plain steel fasteners DO NOT remove the black fasteners

7

Ensure *screws are at maximum extension

8

Make sure power is connected in ceiling while being placed into position

9

While unit has been lifted into place ensure clip can squeeze into ceiling cut out

10

Push screws in fully once unit is in place. Ensure recessed clip legs secure unit into ceiling

11

Tighten screw (s) ensuring clips are kept parallel and even. Do not over tighten

12

if more than one piece do up the latch

13 NOTE: If latch does not bring sections together adjust latch hook by turning hook

14

Replace geartray, then reassemble diffuser

WARNING Take care to replace diffuser and geartray to original location

WARNING

1. Ensure luminaire is kept horizontal whilst being lifted into ceiling.

2. If there is more than one section of luminaire insert each piece into ceiling separately and connect.

NOTE: When installing the last section in a multiple section luminaire there is no joining pins or latch across