

XERO
TECHNOLOGY
ADVANCED 

XTA | 2.0 Recessed IP55

Size

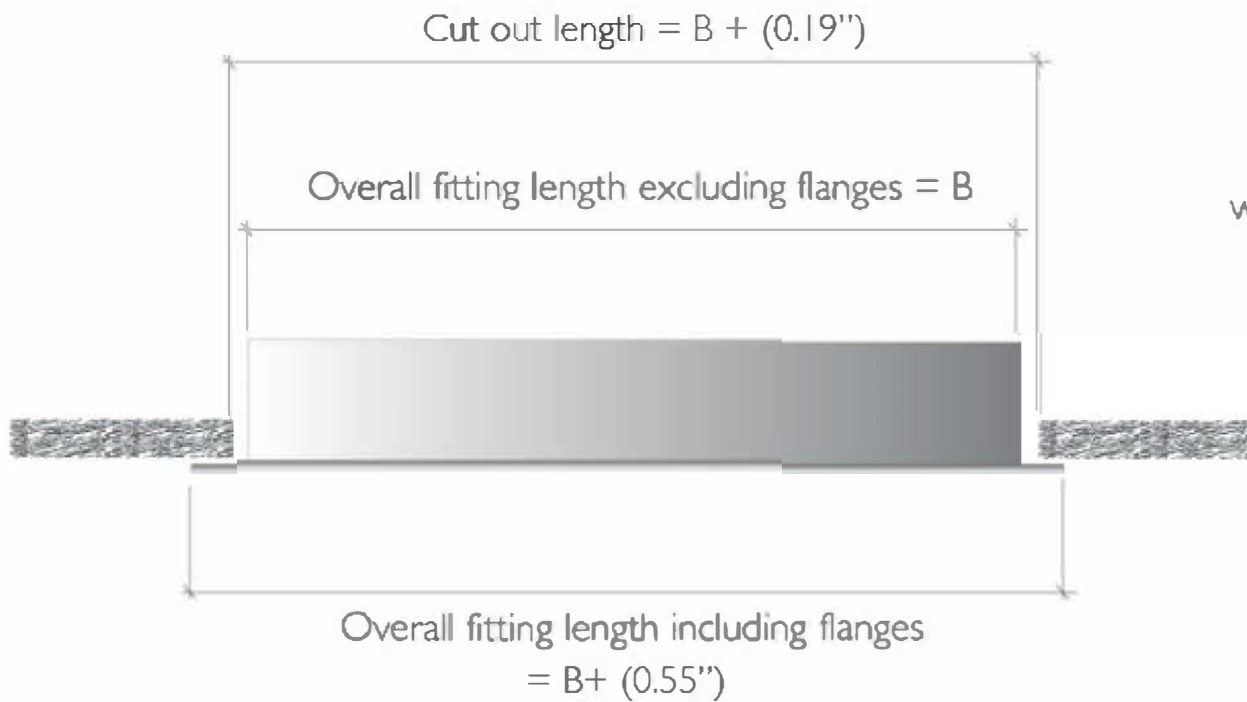
2.36" Wide (2.87" Wide Inc
flange) x 2.95" High



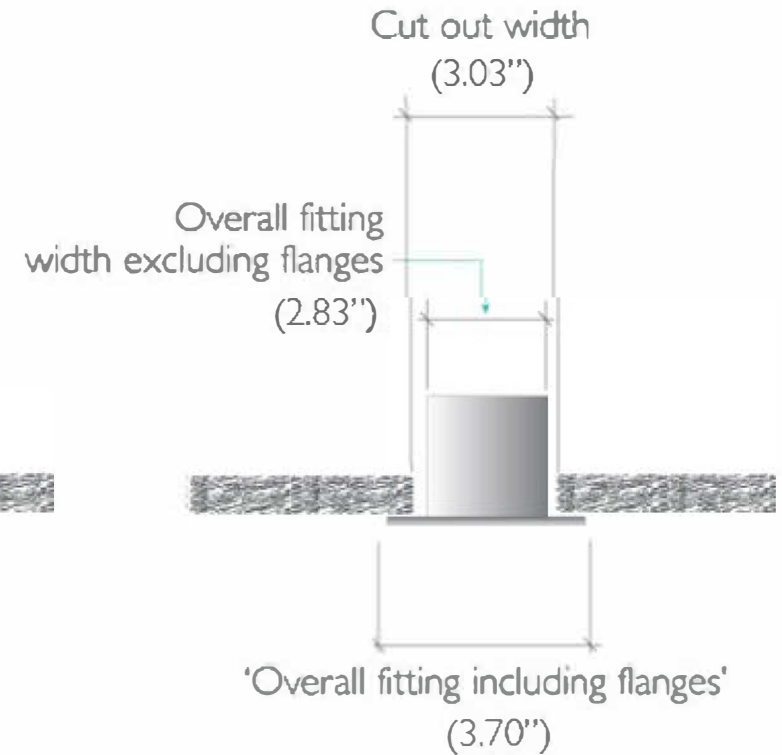
DATA TABLE

Output	CRI	90+
Warranty	Proformax S	7 years
Electrical	Voltage input range	120 – 277V
	Control methods	Dimming options for white light: 0-10V
	Total harmonic distortion THD	<10%
	Approvals	UL / CE / CCC / AS:NZS / EMC
Physical	Dimensions	2.36" Wide (2.87" inc flange) x 2.95" High
	Weight	1.95 Lbs weight per foot
	Housing	Aluminium extrusion with powder-coated finish: Standard powder-coated colours are: White / black and silver. Custom powder-coat on request
	Diffuser	Plexiglass / Polycarbonate lens / Microprism lens / Low UGR Plexiglass
	Connections	Speed connect joining system with polarised electrical connection between sections
	Compatible ceiling type	Suitable for drywall ceilings, metal pan, concrete, timber and T bar grid ceilings
	Mounting	Drywall clips as standard
	Joiner options	Lit corner 90° / Cross 90° / Tee 90° / Straight 180° Join
	Operating temperatures	ProformaxS – (-13°F to 95°F)
	Environment	IP55 (Not in direct sunlight)
	Minimum length adjustment	5.51"
	LED Board types	ProformaxS boards in 5.51" / 11.02" / 22.05" lengths Zhaga compatible
	Optional Extras	Emergency packs

side view



end view



Optical control

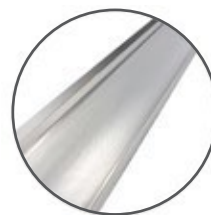
All XTA profiles come with many diffuser options for glare control in any application



Low UGR
Plexiglass



Plexiglass



Microprism



Polycarbonate

Accessories and options



emergency packs

Bend options



135°



cross 90°



tee 90°



custom



corner 90°