



# XTA | 2.5 Loop RECESSED

**Size:** 2.79" Wide x 3.94" High  
(inc flanges 3.81" Wide)



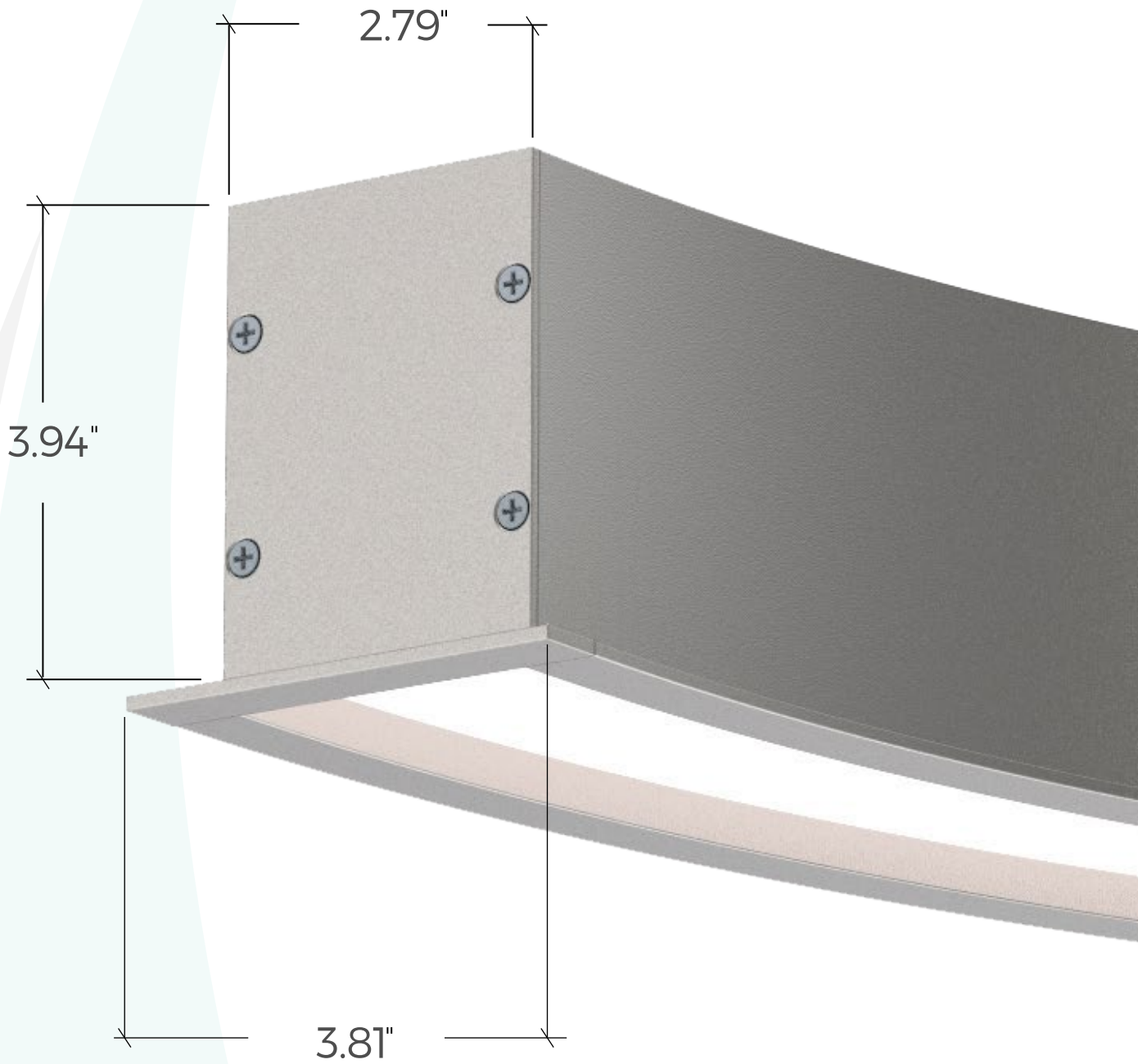
Recessed Mounted  
Removable Diffusers  
Light Leak Free Joins

## Data Table

<b>Output</b>	CRI	90+
<b>Warranty</b>	Proformax S	7 years
<b>Electrical</b>	Voltage input range	120 – 277V
	Control methods	Dimming options for white light: 0-10V
	Total harmonic distortion THD	<10%
	Approvals	UL / CE / CCC / AS:NZS / EMC
<b>Physical</b>	Dimensions	2.79" Wide (including flange 3.81" Wide) x 3.94" High
	Weight	2.47 Lbs per foot
	Housing	Aluminium extrusion with powder-coated finish: Standard powder-coated colours are: White / black and silver. Custom powder-coat on request
	Diffuser	Polycarbonate Opal Diffuser/ Clear Polycarbonate Diffuser
	Connections	Speed connect joining system with polarised electrical connection between sections
	Compatible ceiling type	Suitable for drywall ceilings, metal pan, concrete, timber and T bar grid ceilings
	Mounting	Drywall clips as standard
	Bend Radii	16.92"R / 32.07"R / 48.42"R as standard with custom radii available
	Mitre Bend options	Lit corner 90°/ Cross 90°/ Tee 90°/ Straight 180° (No unlit)
	Endplate Options	Conseal flat or optional curved end plates
	Operating temperatures	ProformaxS – (-13°F to 95°F)
	Environment	Dry indoor application only IP20
	Minimum length adjustment	5.51"
	LED Board types	ProformaxS boards in 5.51" / 11.02" / 22.05" lengths Zhaga compatible
Optional Extras	Emergency packs	

# XTA | 2.5 Loop RECESSED

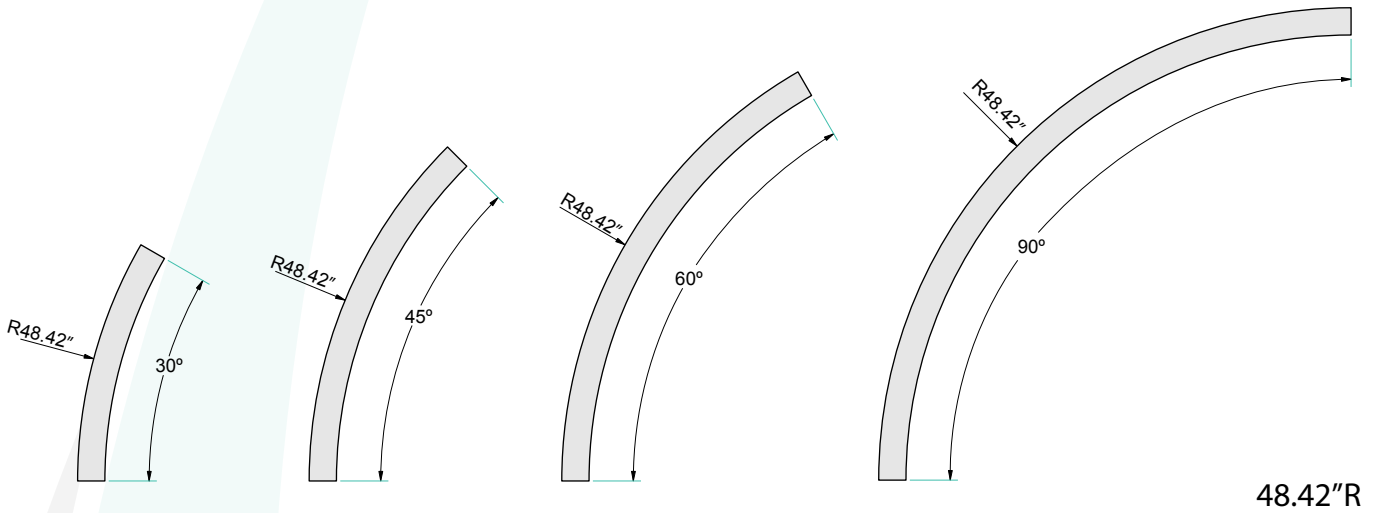
## Dimensions



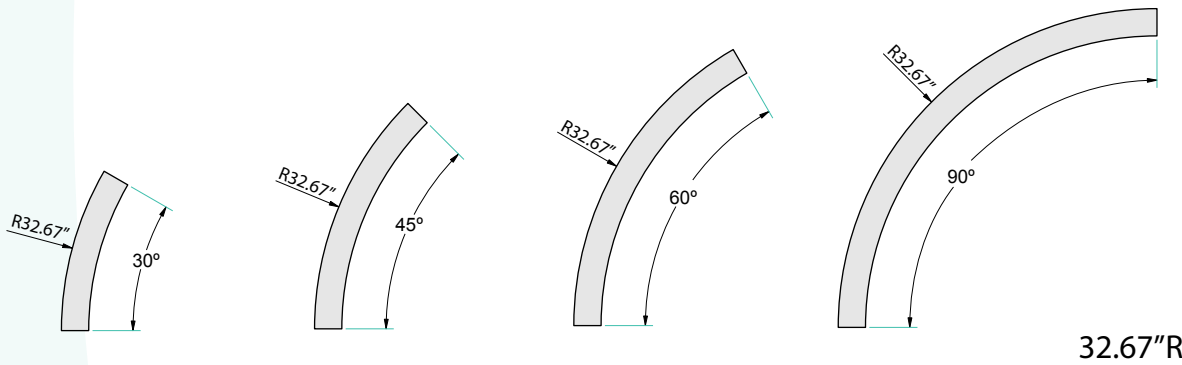
# XTA | 2.5 LOOP RECESSED

## Standard Bend Options

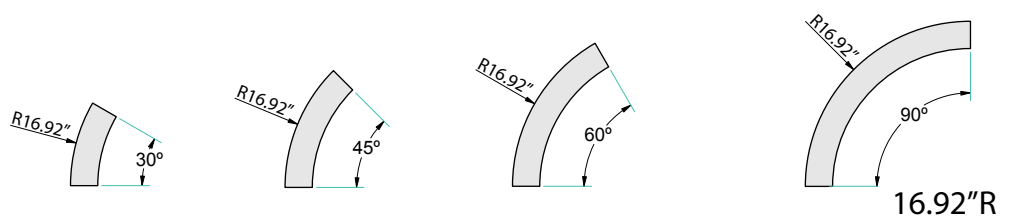
(\*Any radii available above 11.81" is also possible)



48.42"R



32.67"R



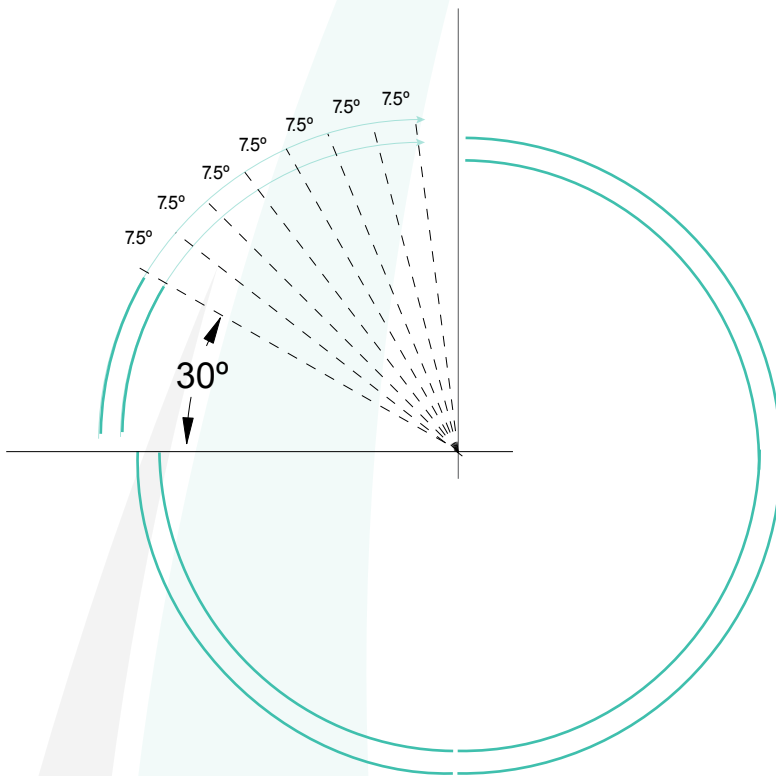
16.92"R

\*Other custom radii available on request

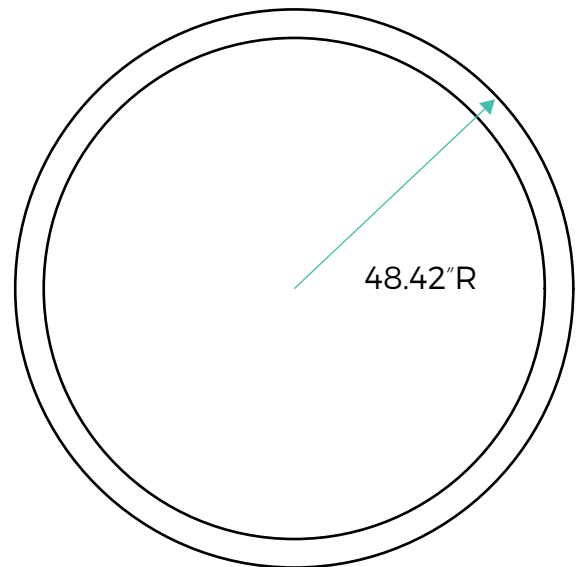
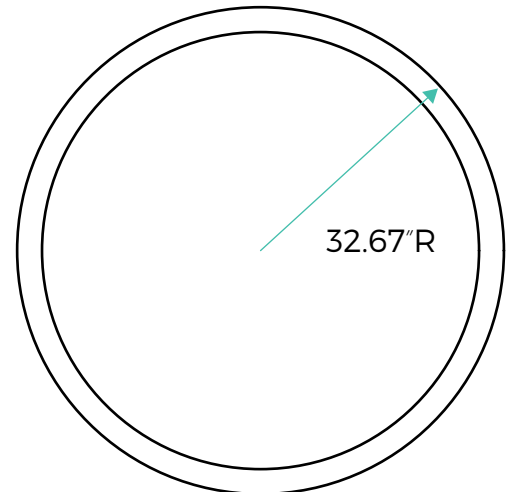
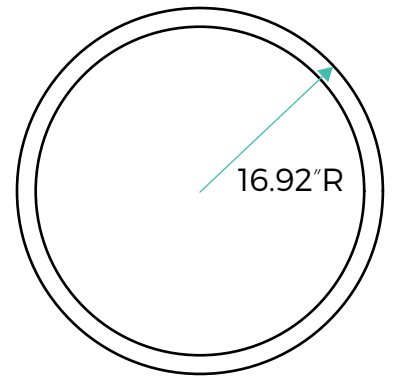
All radii bends can have integral drivers provided they join a straight section or are  $\geq 48.42$ "R

# XTA | 2.5 LOOP RECESSED

## Standard Arc Options

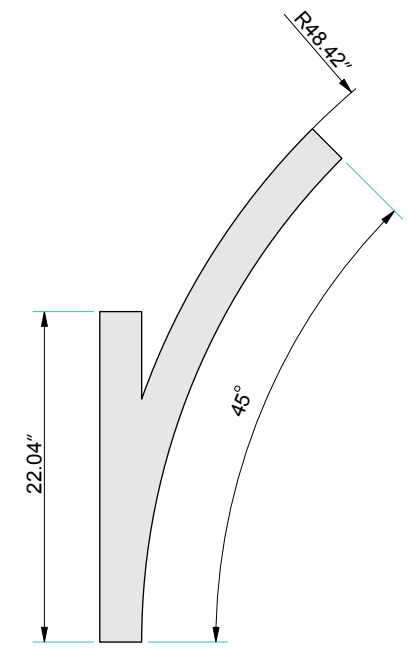
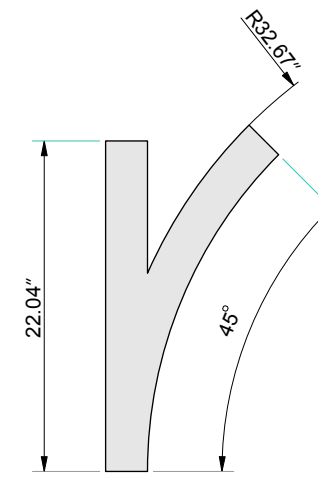
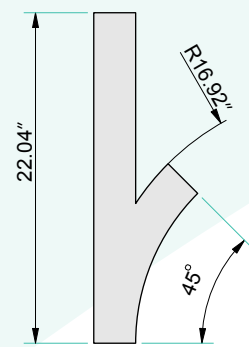


Minimum 30° segment  
then each segment can be  
increased in 7.5° increments  
Arc segments below  
48.42"R have remote drivers

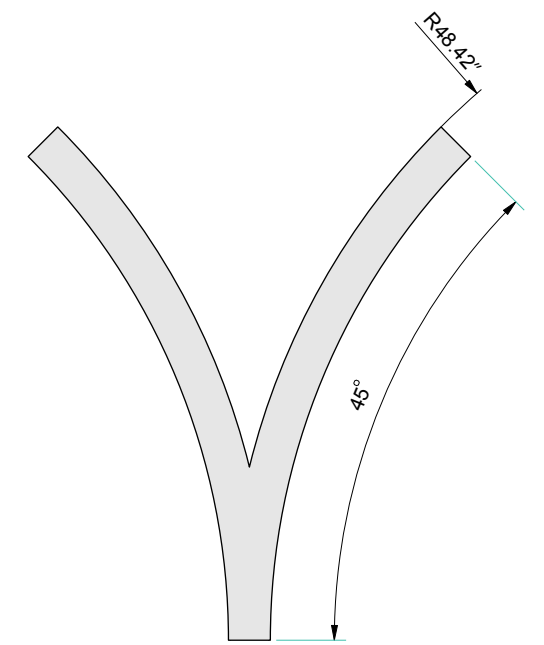
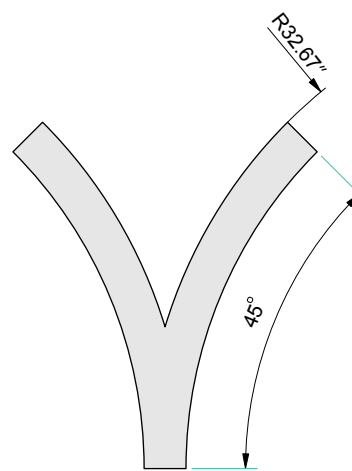
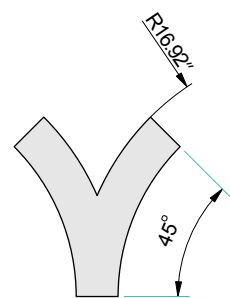


Other options available on request

# XTA 2.5 LOOP RECESSED Standard Connections



Y Bends



V Bends

Other options available on request

# Technologies

## First of its kind light leak free system

There are no light leaks in the usual places like end plates, diffuser expansion gaps and at joins where two or more pieces are connected together.

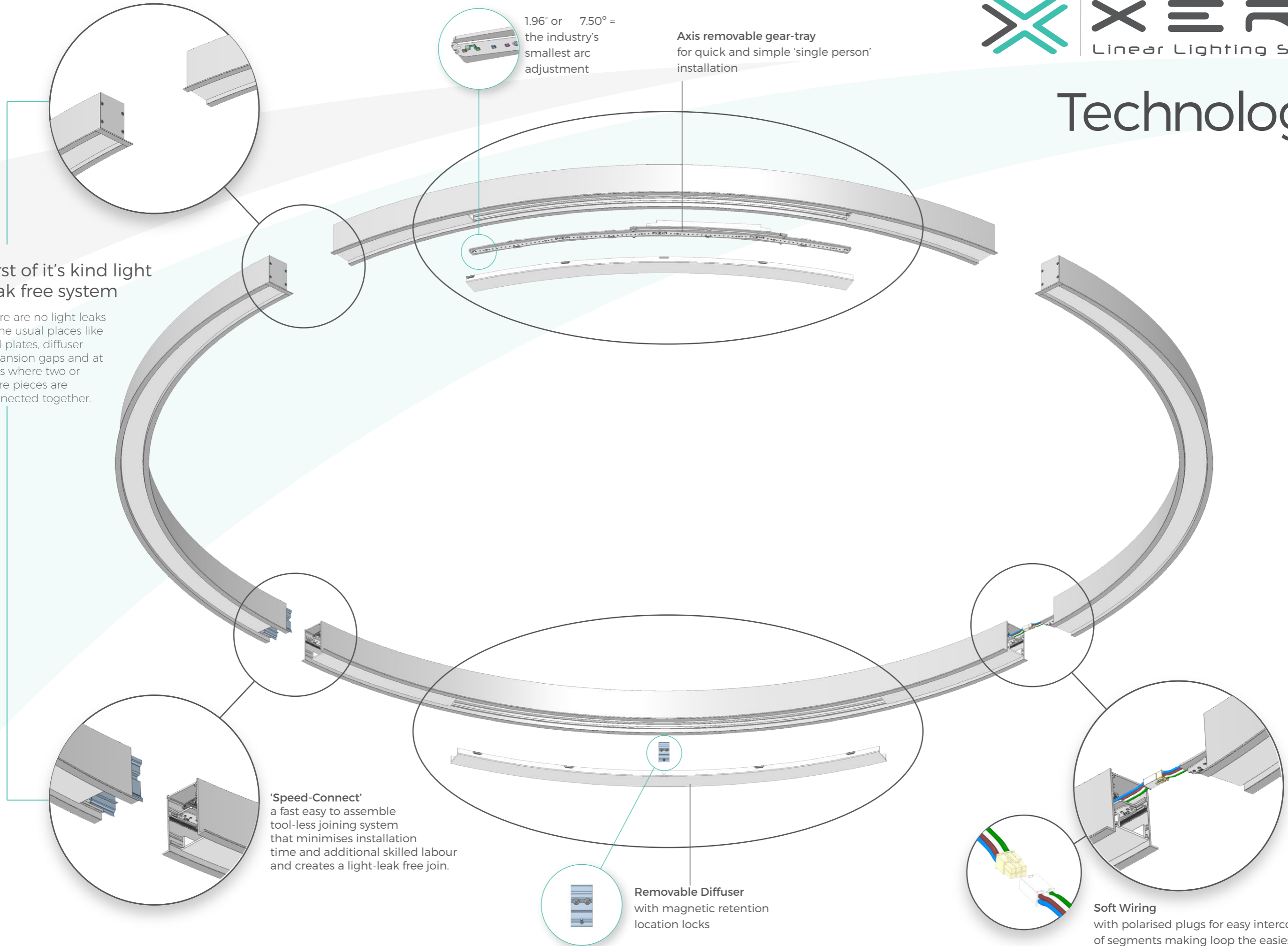
1.96" or 7.50° = the industry's smallest arc adjustment

Axis removable gear-tray for quick and simple 'single person' installation

'Speed-Connect' a fast easy to assemble tool-less joining system that minimises installation time and additional skilled labour and creates a light-leak free join.

Removable Diffuser with magnetic retention location locks

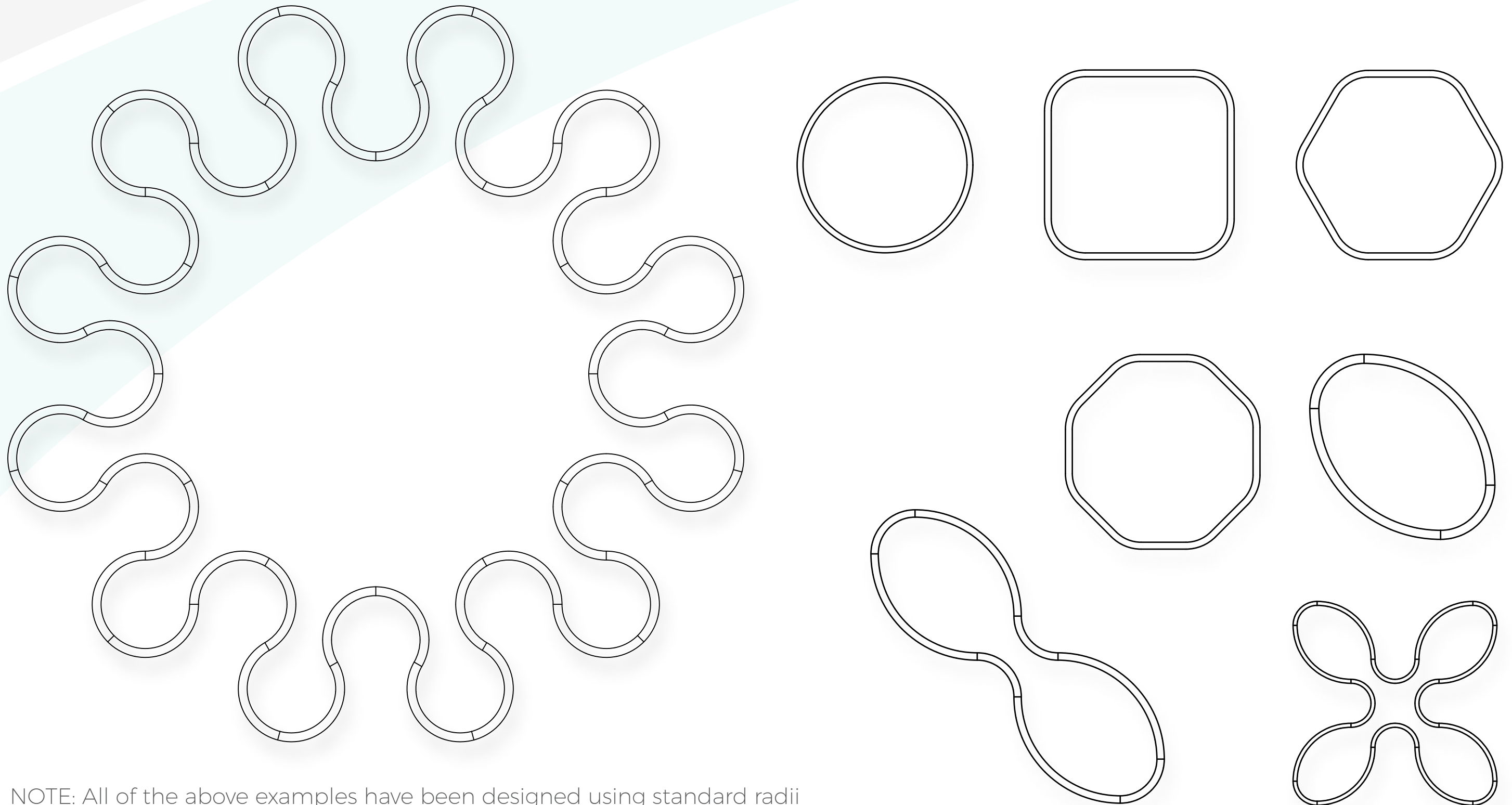
Soft Wiring with polarised plugs for easy interconnection of segments making loop the easiest curved profile on the market to install



## XTA | 2.5 LOOP RECESSED

### Some examples of Shapes and Sizes

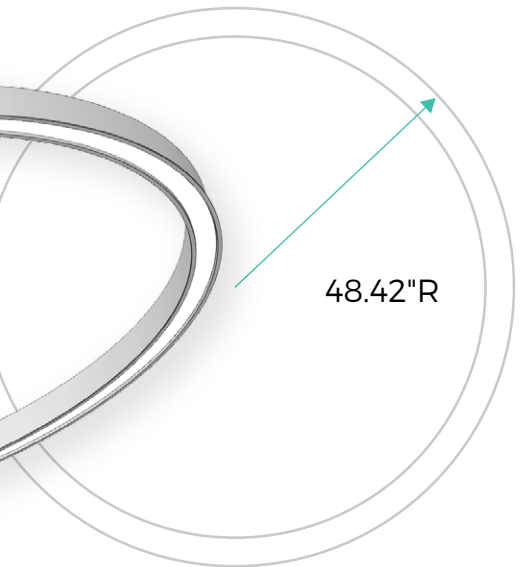
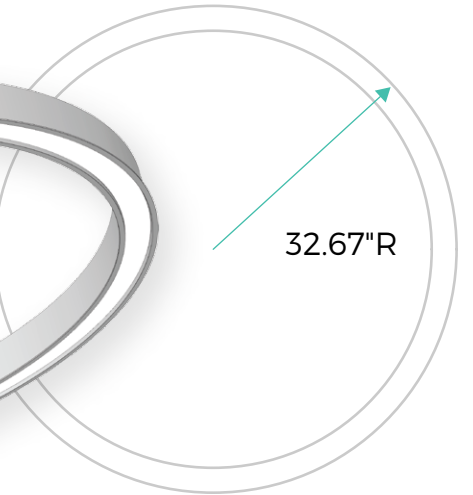
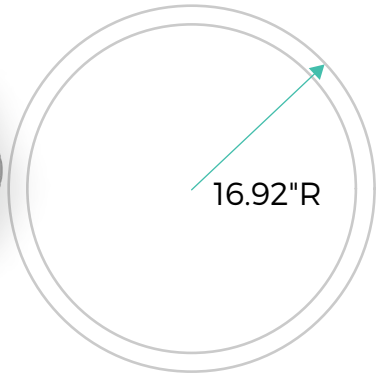
The LOOP series has the ability to form myriad of shapes and sizes from simple curved corners to the most complex configuration only limited by your imagination



NOTE: All of the above examples have been designed using standard radii



# XTA | 2.5 LOOP RECESSED Standard Rings



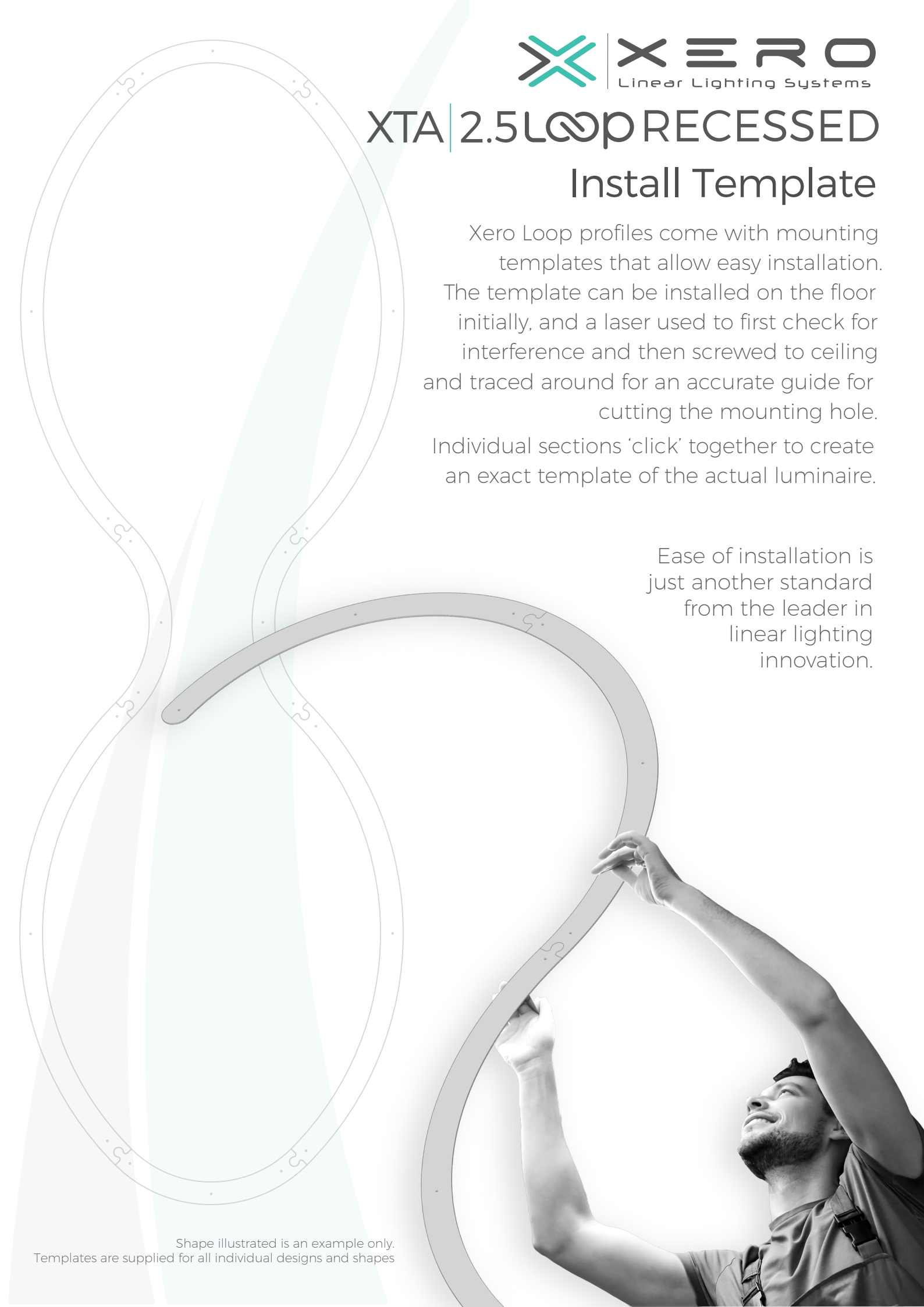
Custom size rings available on request

# XTA | 2.5 LOOP RECESSED

## Install Template

Xero Loop profiles come with mounting templates that allow easy installation. The template can be installed on the floor initially, and a laser used to first check for interference and then screwed to ceiling and traced around for an accurate guide for cutting the mounting hole. Individual sections 'click' together to create an exact template of the actual luminaire.

Ease of installation is just another standard from the leader in linear lighting innovation.



Shape illustrated is an example only.  
Templates are supplied for all individual designs and shapes