



XTA | 2.5 Loop SLOT

Imperial: 2.80" x 3.94"



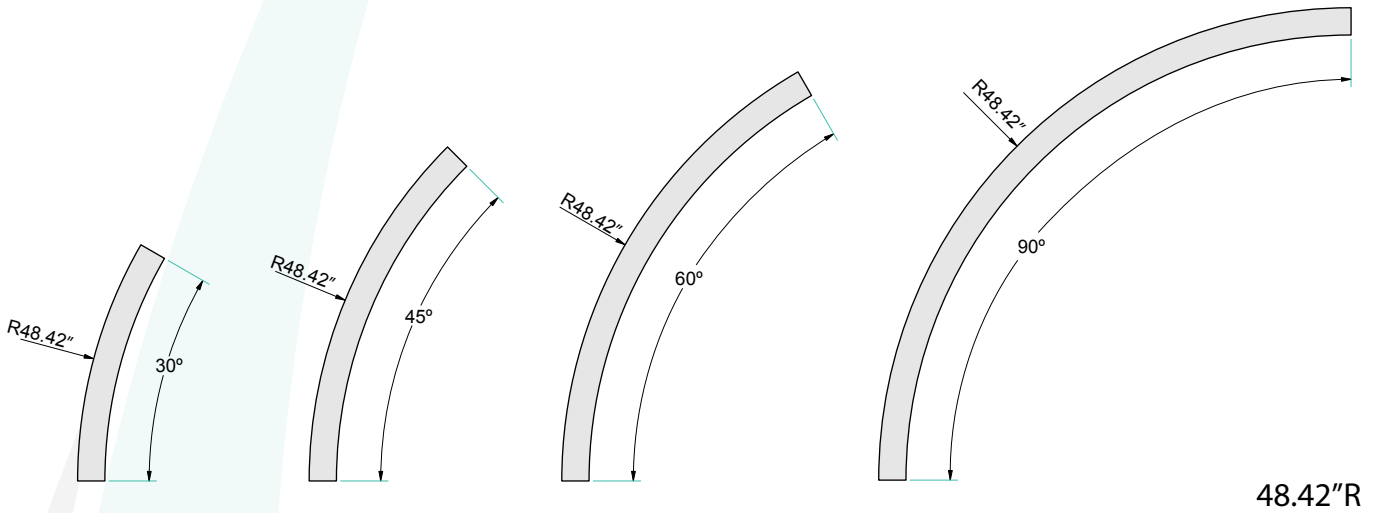
Wire or Rod Suspended
Surface Mounted
Removable Diffusers
Light Leak free
endplates
and joins

Data Table

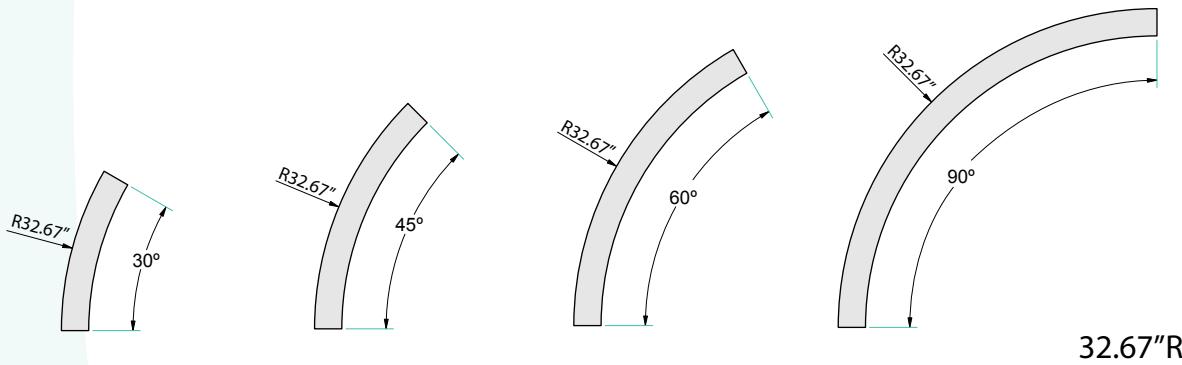
Output	CRI	90+
Warranty	Proformax S	7 years
Electrical	Voltage input range	120 – 277V
	Control methods	Dimming options for white light: 0-10V
	Total harmonic distortion THD	<10% max
	Approvals	UL / CE / CCC / AS:NZS / EMC
Physical	Dimensions	2.79" Wide x 3.93" High
	Weight	3.38 Lbs per foot
	Housing	Aluminium extrusion with powder-coated finish: Standard powder-coated colours are: White / black and silver. Custom powder-coat on request
	Diffuser	Polycarbonate Opal Diffuser/ Clear Polycarbonate Diffuser
	Connections	Speed connect joining system with polarised electrical connection between sections
	Compatible ceiling type	Suitable for drywall ceilings, metal pan, concrete, timber and T bar grid ceilings
	Mounting	Field adjustable rollerball wire suspensions / rod suspensions / wall mounting / surface mount
	Bend Radii	16.92"R / 32.07"R / 48.42"R as standard with custom radii available
	Mitre Bend options	Lit corner 90°/ Cross 90°/ Tee 90°/ Straight 180° (No unlit)
	Endplate Options	Conseal flat or optional curved end plates
	Operating temperatures	ProformaxS – (-13°F to 95°F)
	Environment	Dry indoor application only IP20
	Minimum length adjustment	5.51"
	LED Board types	ProformaxS boards in 5.51" / 11.02" / 22.05" lengths Zhaga compatible
Optional Extras	Emergency packs	

XTA 2.5 LOOP SLOT Standard Bend Options

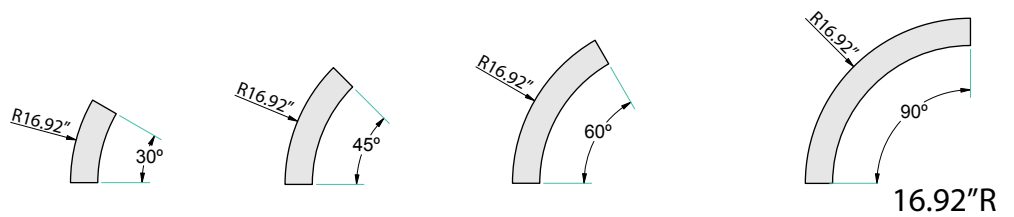
(*Any radii available above 11.81" is also possible)



48.42"R



32.67"R



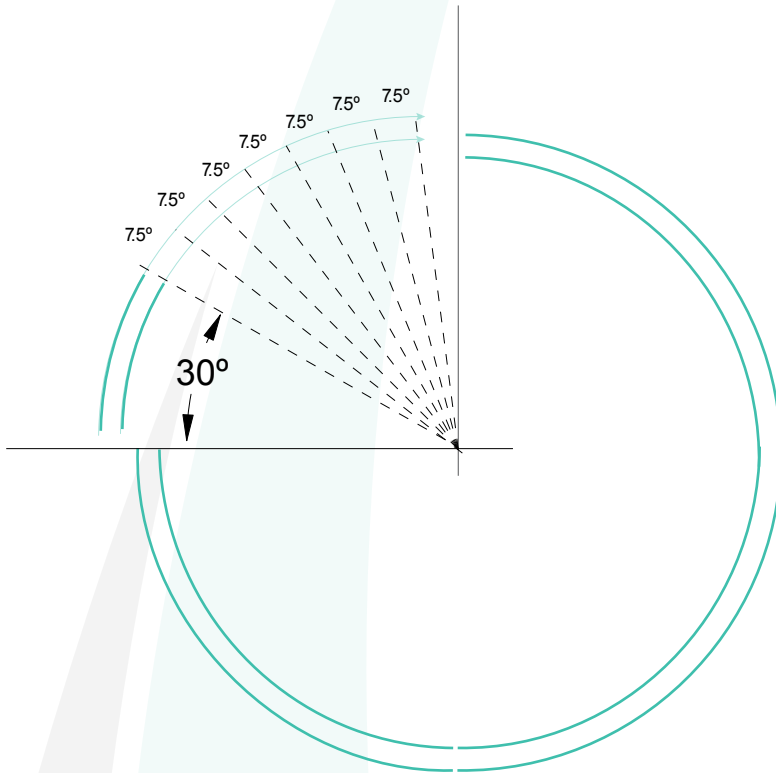
16.92"R

*Other custom radii available on request

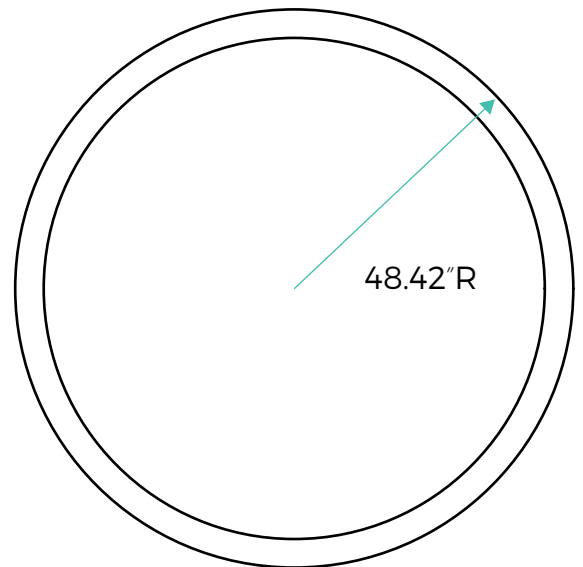
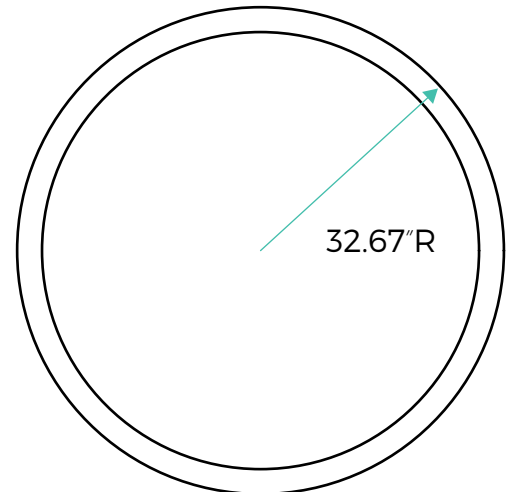
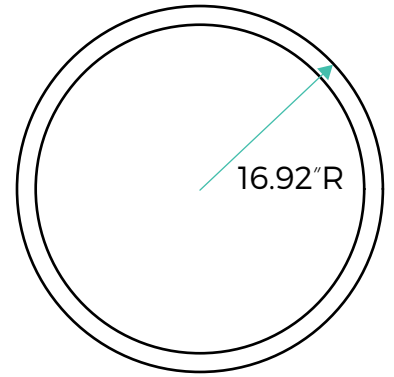
All radii bends can have integral drivers provided they join a straight section or are ~ 48.42"R

XTA 2.5 LOOP SLOT

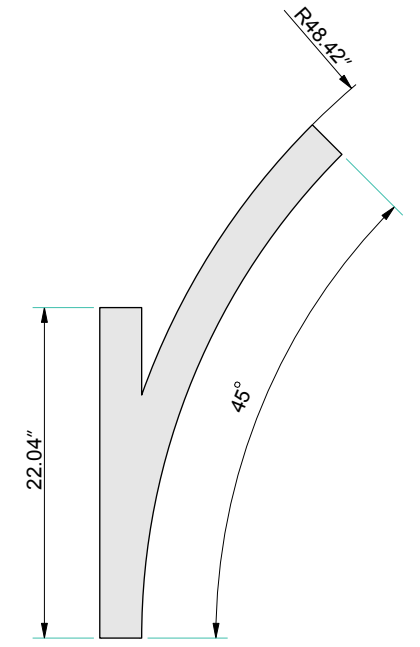
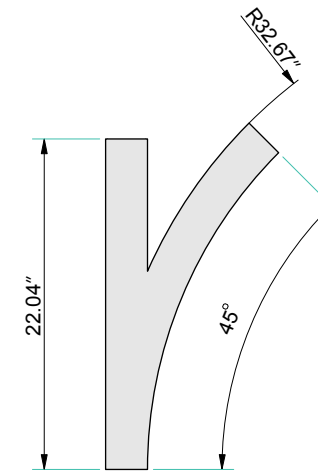
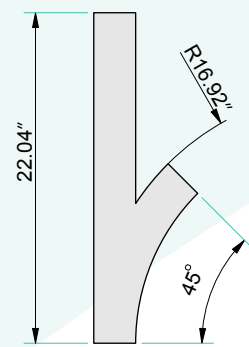
Standard Arc Options



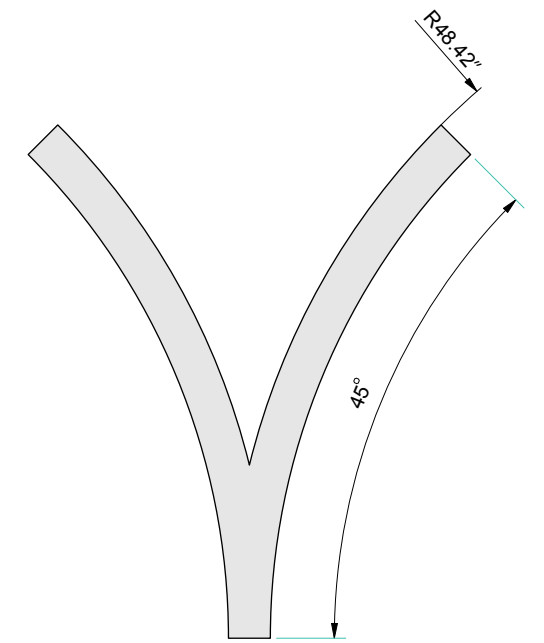
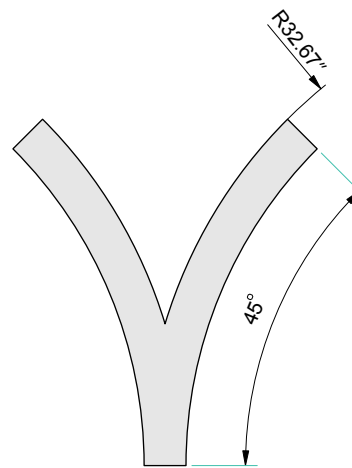
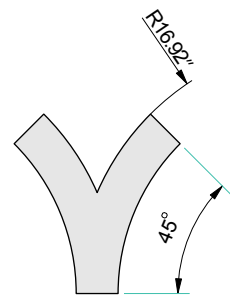
Minimum 30° segment
then each segment can be
increased in 7.5° increments
Arc segments below
48.42°R have remote drivers



XTA 2.5 LOOP SLOT Standard Connections



Y Bends



V Bends

Other options available on request

Technologies

First of it's kind light leak free system

There are no light leaks in the usual places like end plates, diffuser expansion gaps and at joins where two or more pieces are connected together.

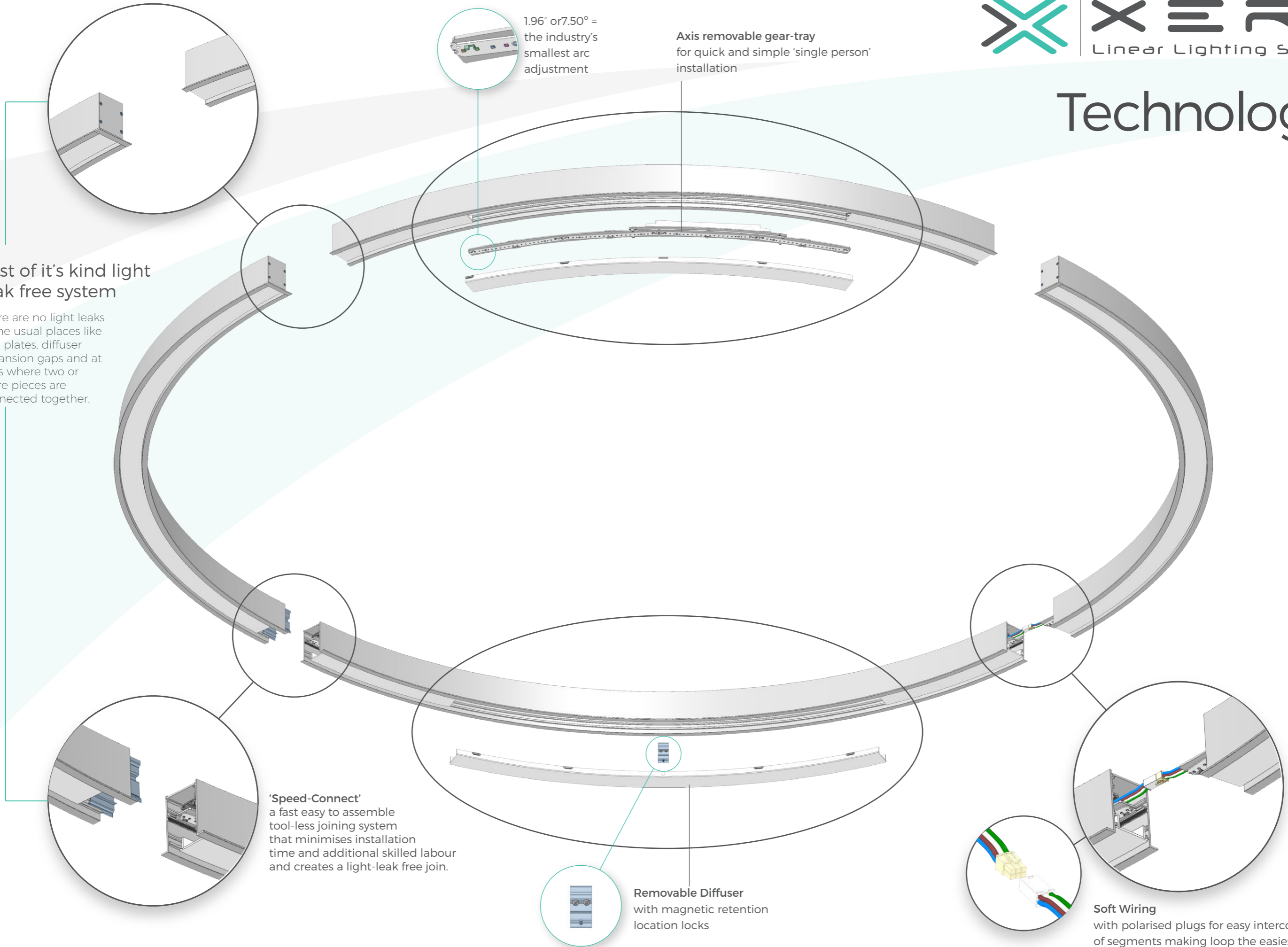
1.96" or 7.50° = the industry's smallest arc adjustment

Axis removable gear-tray for quick and simple 'single person' installation

'Speed-Connect' a fast easy to assemble tool-less joining system that minimises installation time and additional skilled labour and creates a light-leak free join.

Removable Diffuser with magnetic retention location locks

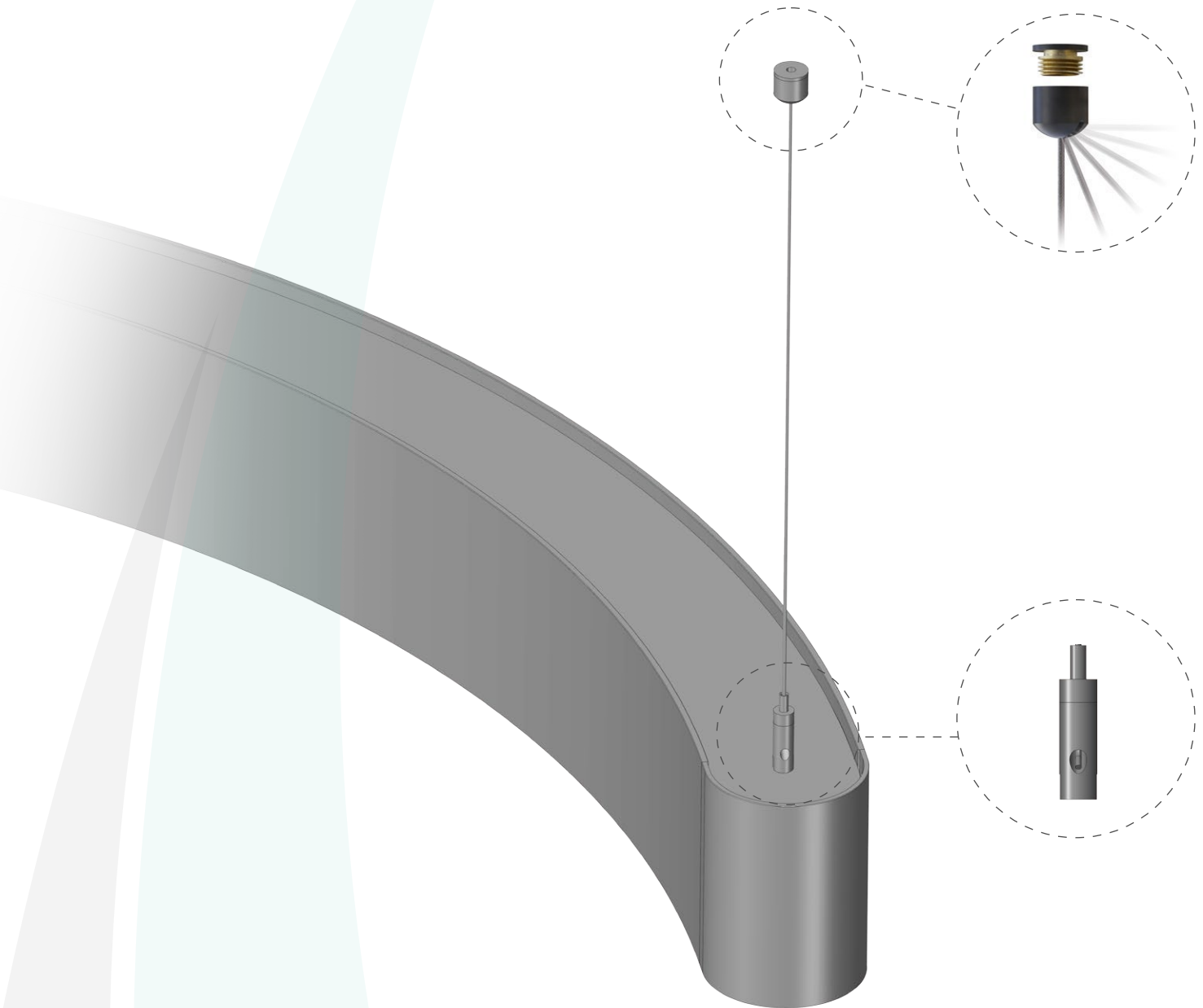
Soft Wiring with polarised plugs for easy interconnection of segments making loop the easiest curved profile on the market to install



XTA 2.5 LOOP SLOT

Rollerball Suspension

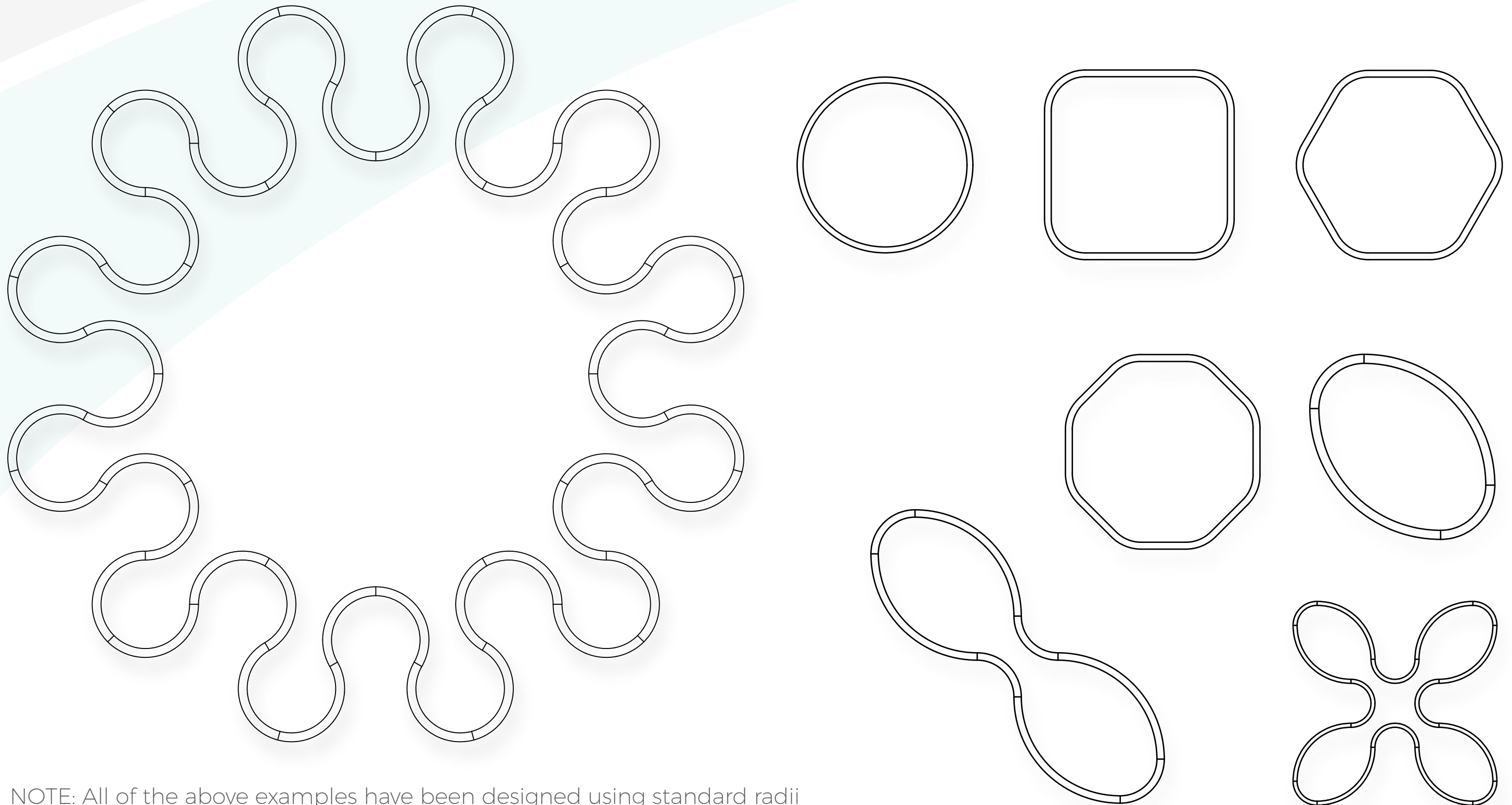
The smart suspension system that can be mounted on any surface whether a flat or sloped ceiling, or even a wall



XTA | 2.5 LOOP SLOT

Some examples of Shapes and Sizes

The LOOP series has the ability to form myriad of shapes and sizes from simple curved corners to the most complex configuration only limited by your imagination



NOTE: All of the above examples have been designed using standard radii


XTA | 2.5 Loop Slot

Install Template

Xero Loop profiles come with the mounting templates that allow for easy installation.

The template should be assembled on the floor and the position in the room checked against the reflected ceiling plan then suspension positions should be laser transferred to the ceiling for accurate positioning before installing. Individual sections 'click' together to create an exact template of the actual luminaire.

Ease of installation is just another standard from the leader in linear lighting innovation.



Shape illustrated is an example only.
Templates are supplied for all individual designs and shapes