

XERO
TECHNOLOGY
INFRASTRUCTURE



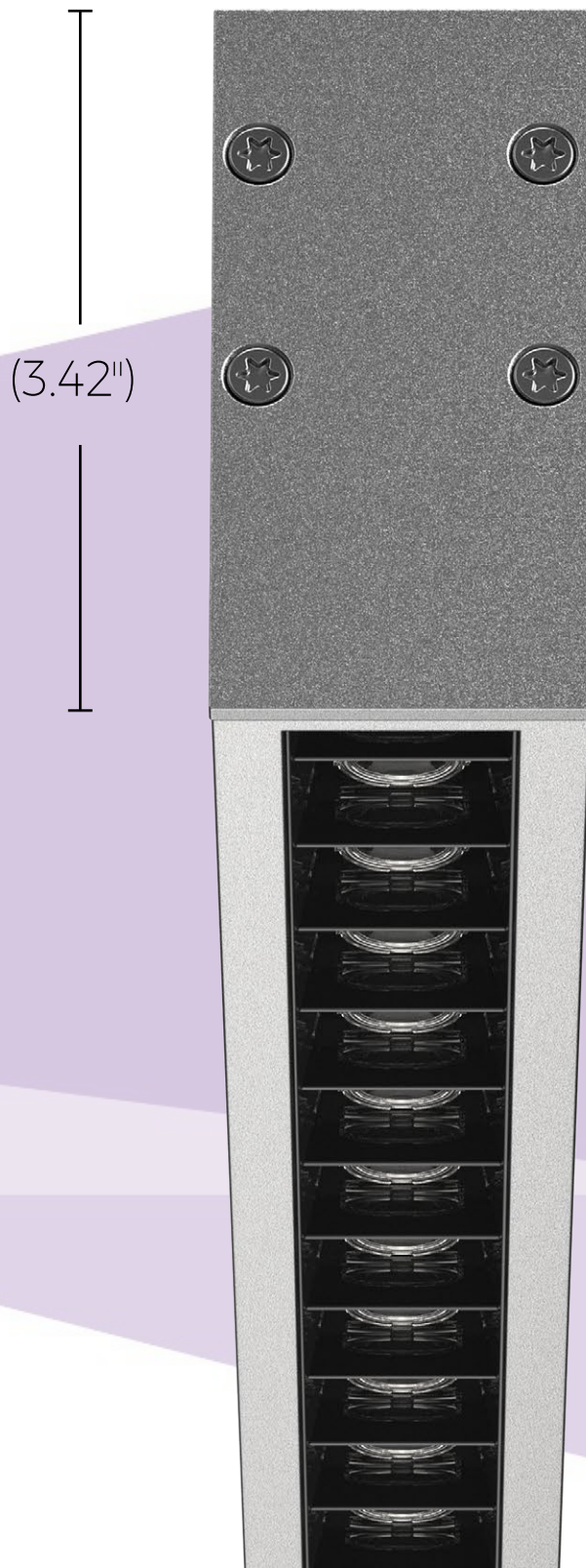
XTI | 1.5 OPTIK Slot
IK11 | IP66

Size | 1.65" x 3.42"



XTI | 1.5 OPTIK Slot
IP66 | IK11

(1.65")



XTI | 1.5 OPTIK Slot

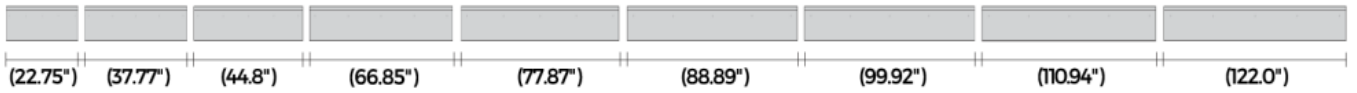
IP66 | IK11

DATA TABLE

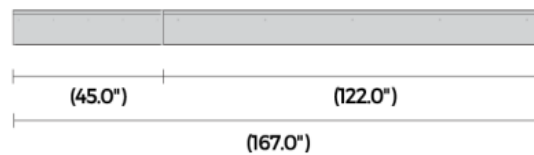
Output	Xeramix	CRI	80+
		Lumen Maintenance	114,000 Hours (L90 B10 @ 122°F)
	Proformax S	CRI	90+
		Lumen Maintenance	82,000 Hours (L80 B10 @ 95°F)
Warranty	Xeramix		Xeramix 1 = 10 years
	Proformax S		Proformax S = 7 years
Electrical	Voltage input range		120 – 277V
	Control methods		Dimming options for white light: 0-10V
	Total harmonic distortion THD		<10% max
	Approvals		UL / CE / CCC / AS:NZS / EMC
Physical	Dimensions		1.65" Wide x 3.42" High
	Weight		2.78 lbs average weight per foot
	Housing		Aluminium extrusion with powder-coated finish: Standard powder-coated colours are: White / black and silver. Custom powder-coat on request
	Diffuser		Polycarbonate Diffuser / Clear Polycarbonate Diffuser / Internal anti-glare baffle
	Connections		Optional IP Rated polarised electrical connection between sections
	Compatible ceiling type		Suitable for drywall ceilings, metal pan, concrete, timber and T bar grid ceilings
	Mounting		Field adjustable Rollerball Wire Suspensions / Surface Mounting / Custom Mounting / Rod Suspension / Wall Mounting
	Joiner options		(Non lit) 90° Butt bend / Tee Butt bend
	Operating temperatures		Proformax S – (-13°F to 95°F) Xeramix – (-13°F to 140°F)
	Environment		Luminaire IP66 (Not in direct sunlight, diffuser must not face upwards).
	Minimum length adjustment		5.51"
	LED Board types		Xeramix in 0.98" / 3.94" / 11.02" / 22.05" lengths. Zhaga compatible Proformax S in 5.51" / 11.02" / 22.05" lengths. Zhaga compatible
	Vandal-proof		Available with anti-vandal fasteners
	Optional Extras		Lanyards / Emergency packs

XTI | 1.5 OPTIK Slot IP66 | IK11

XTI AVAILABLE LENGTHS



EXAMPLE OF A STANDARD LENGTH COMBINATION



CREATING LENGTHS WITH THE XTI SERIES

The XTI range IP66 | IK11 set lengths can be coupled together in any combination to achieve the desired length.
Note: Custom lengths are also available - Please consult your local office for information

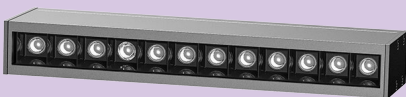
CREATING LENGTHS WITH XTI | 1.5 Series IP66 IK11

The XTI | 1.5 IP66 IK11 set lengths can be coupled together in any combination to achieve the desired length.
Note: custom lengths are also available – please consult your local Xero office for information

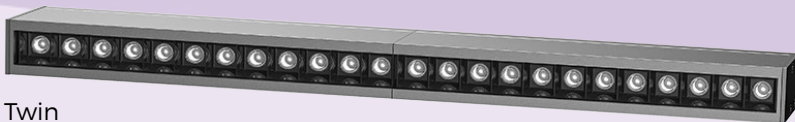
The XTI | 1.5 IP66 IK11 set lengths can be coupled together in any combination to achieve the desired length.

CUSTOM LENGTHS

Custom lengths are available in 0.98" increments



Single



Twin



Triple



Custom*

*Note: By using a combination of cover plate and baffle a 1mm increment can be created.
Talk with you local Xero Specification Consultant for your custom design options.
xerolighting.com/contact

XTI | 1.5 OPTIK Slot IP66 | IK11

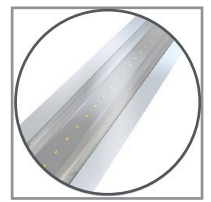
Optical control

Optic lens beam options



- 30° x 60° wall washer
- 60° oval
- 45° oval
- 30° medium
- 16° smooth

diffuser option



Clear
Polycarbonate

Accessories



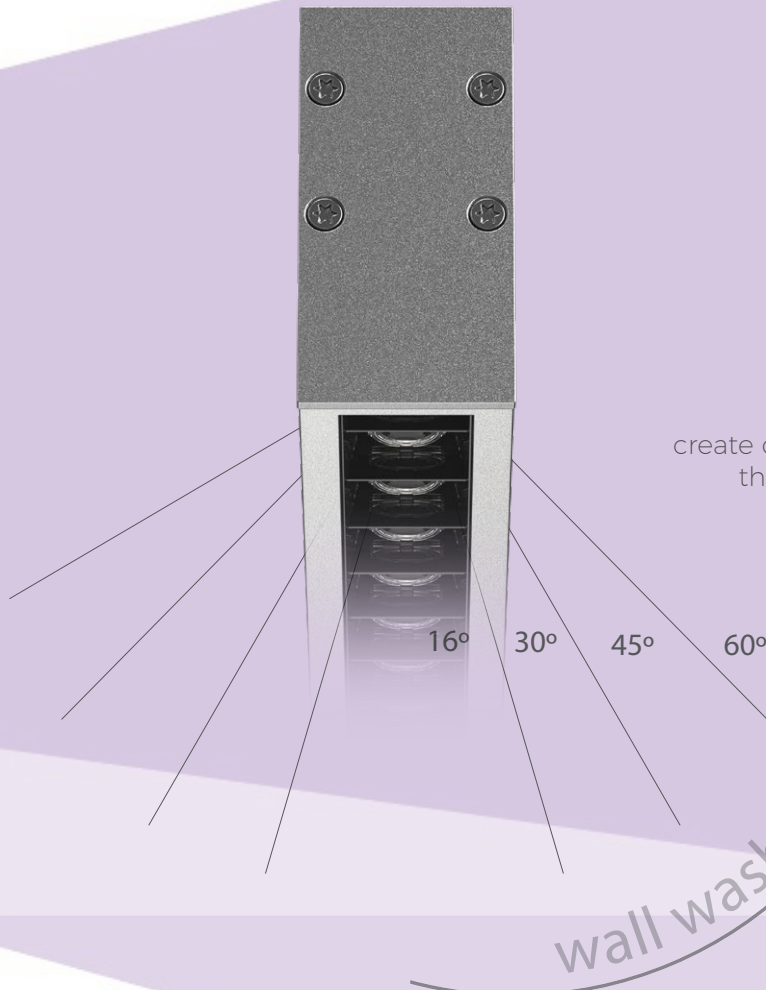
Vandal proof
option

XTI | 1.5 OPTIK Slot IP66 | IK11

Individually selectable optics

The OPTIK module lenses come as standard with one variant lens per each module of 12. Although each lens can be individually configured and customised to suit your desired light configuration.

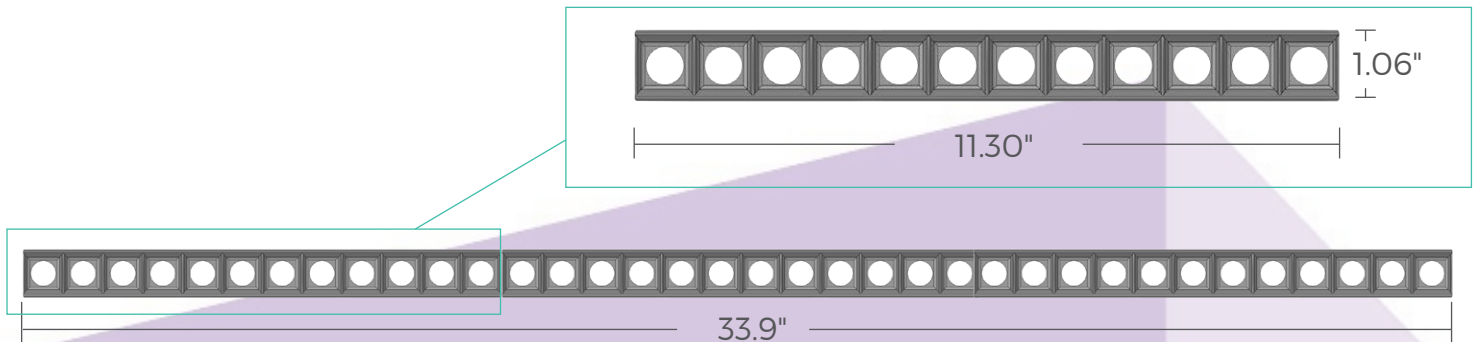
Optic lens options



Beam angles

The OPTIK profile gives you the ability to create custom angles to suit specific design requirements that can be applied to various applications including retail, office and residential environments

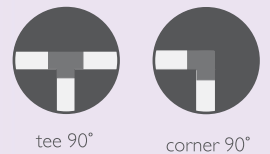
Dimensions of baffle



The OPTIK baffle can be arranged in a maximum of three modules

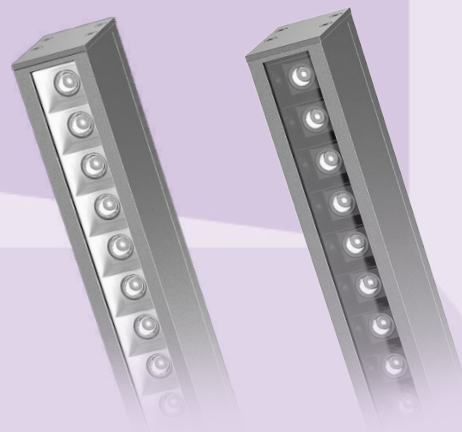
bend options

Note: Unlit butt bends only



optics

The XTI 1.5 profile come with many diffuser options for glare control in any application



White baffle

Black baffle

Note: For illustrative purposes the XTI 1.5 OPTIK Square profile is shown above