

XERO  
TECHNOLOGY  
INFRASTRUCTURE



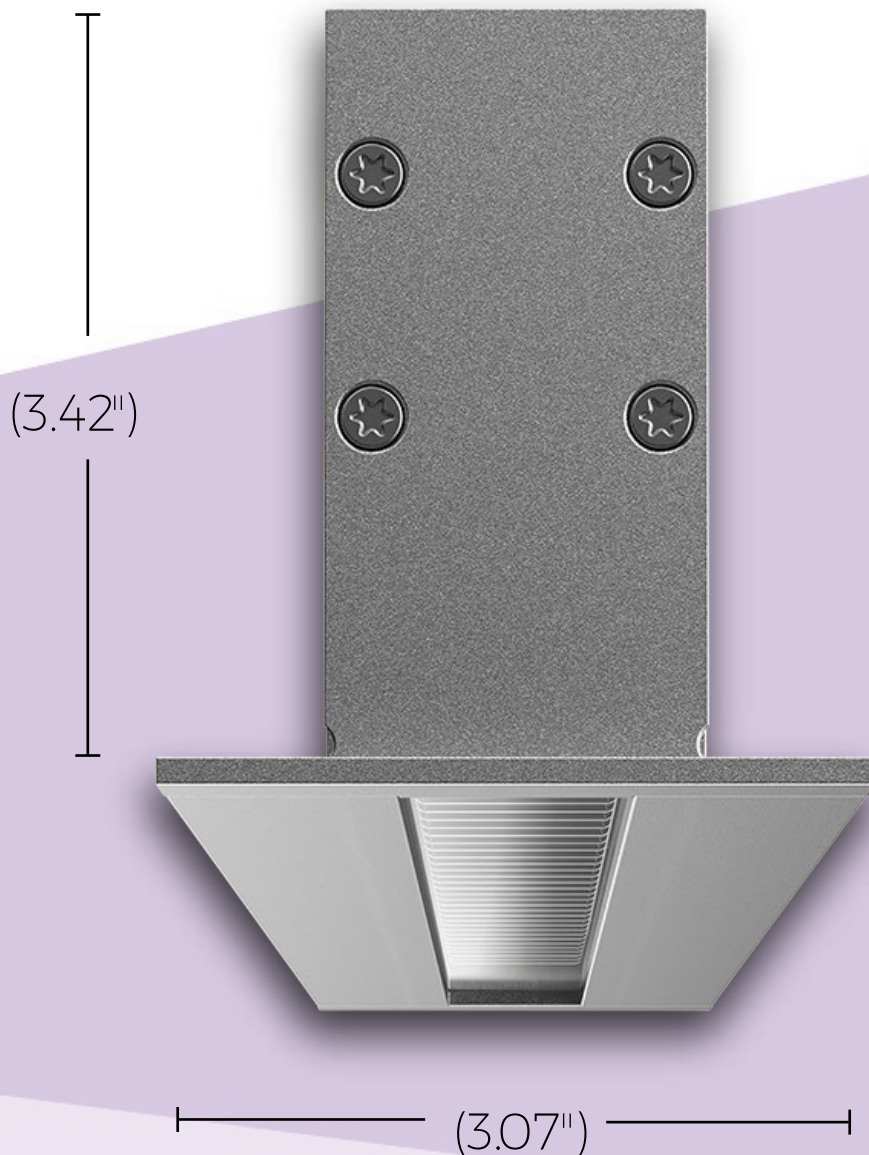
XTI | OPTIK WF Recssed  
(Wide Flange)

IK11 | IP66

Size: 3.07" x 3.42"



XTI | 1.5 OPTIK WF Reccesed  
(Wide Flange)  
IP66 | IK11

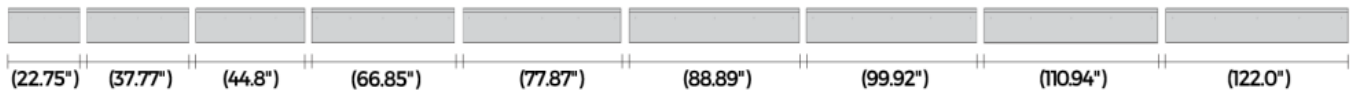


# XTI | 1.5 OPTIK WF Recessed (Wide Flange) IP66 | IK11

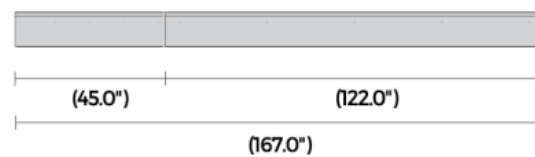
<b>Output</b>	Xeramix	CRI	80+
		Lumen Maintenance	114,000 Hours ( L90 B10 @ 122°F )
	Proformax S	CRI	90+
		Lumen Maintenance	82,000 Hours ( L80 B10 @ 95°F )
<b>Warranty</b>	Xeramix	Xeramix 1 = 10 years	
	Proformax S	Proformax S = 7 years	
<b>Electrical</b>	Voltage input range		120 – 277V
	Control methods		Dimming options for white light: 0-10V
	Total harmonic distortion THD		<10% max
	Approvals		UL / CE / CCC / AS:NZS / EMC
<b>Physical</b>	Dimensions		3.07" (including flange) Wide x 3.42" High
	Weight		2.24 lbs average weight per foot
	Housing		Aluminium extrusion with powder-coated finish: Standard powder-coated colours are: White / black and silver. Custom powder-coat on request
	Diffuser		Polycarbonate Diffuser / Clear Polycarbonate Diffuser / Internal anti-glare baffle
	Connections		Optional IP Rated polarised electrical connection between sections
	Compatible ceiling type		Suitable for drywall ceilings, metal pan, concrete, timber and T bar grid ceilings
	Mounting		Recessed Flange Mounted, Sliding Thread Stud Bracket, Sliding Surface Mounting Plate, Wire Suspension Kit
	Joiner options		(Non lit) 90° Butt bend / Tee Butt bend
	Operating temperatures		Proformax S – (-13°F to 95°F)   Xeramix – (-13°F to 140°F)
	Environment		Luminaire IP66 (Not in direct sunlight, diffuser must not face upwards).
	Minimum length adjustment		5.51"
	LED Board types		Xeramix in 0.98" / 3.94" / 11.02" / 22.05" lengths. Zhaga compatible Proformax S in 5.51" / 11.02" / 22.05" lengths. Zhaga compatible
	Vandal-proof		Available with anti-vandal fasteners
	Optional Extras		Lanyards / Emergency packs

# XTI | 1.5 OPTIK WF Reccesed IP66 | IK11

## XTI AVAILABLE LENGTHS



## EXAMPLE OF A STANDARD LENGTH COMBINATION



## CREATING LENGTHS WITH THE XTI SERIES

The XTI range IP66 | IK11 set lengths can be coupled together in any combination to achieve the desired length.  
Note: Custom lengths are also available - Please consult your local office for information

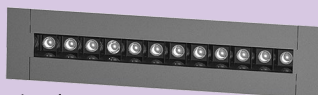
## CREATING LENGTHS WITH XTI | 1.5 Series IP66 IK11

The XTI | 1.5 IP66 IK11 set lengths can be coupled together in any combination to achieve the desired length.  
Note: custom lengths are also available – please consult your local Xero office for information

The XTI | 1.5 IP66 IK11 set lengths can be coupled together in any combination to achieve the desired length.

## CUSTOM LENGTHS

Custom lengths are available in 0.98" increments



Single



Twin



Triple



Custom\*

\*Note: By using a combination of cover plate and baffle a 1mm increment can be created.  
Talk with you local Xero Specification Consultant for your custom design options.  
[xerolighting.com/contact](http://xerolighting.com/contact)

# XTI 15 OPTIK WF Recessed (Wide Flange)

IP66 | IK11

## Individually selectable optics

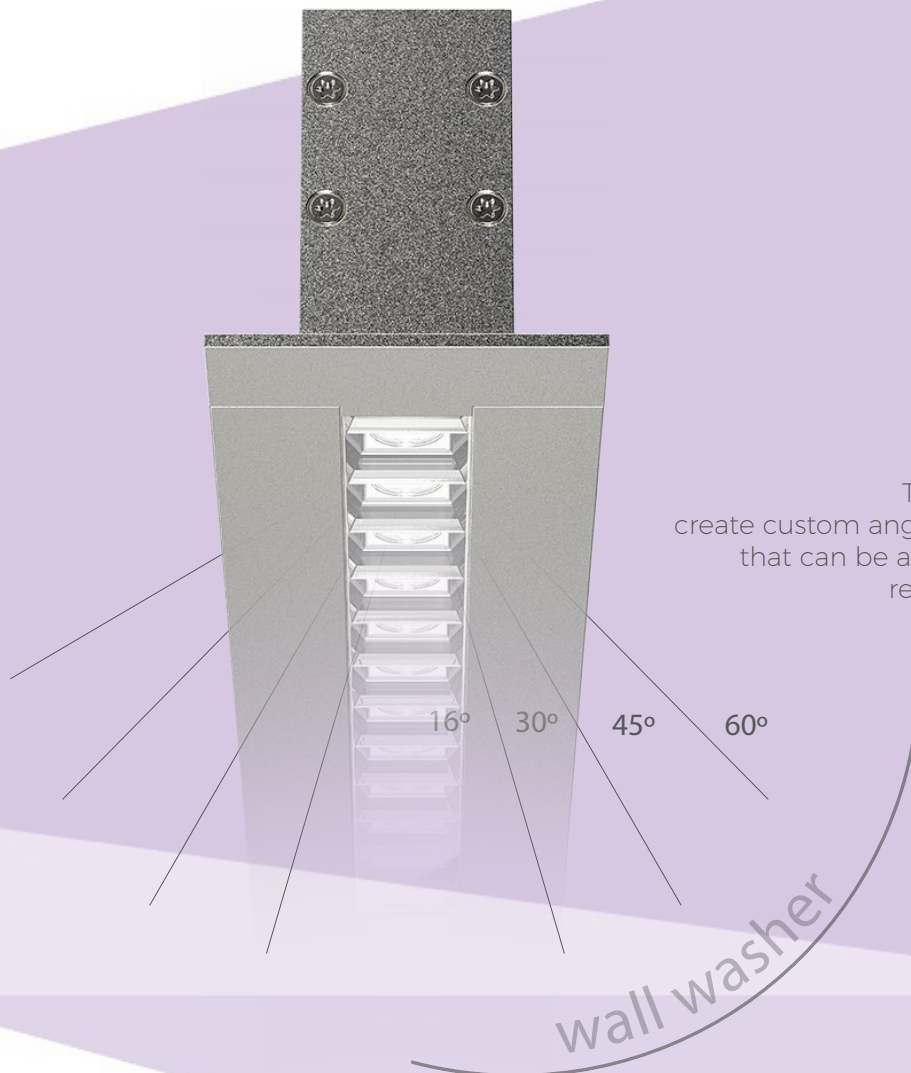
The OPTIK module lenses come as standard with one variant lens per each module of 12. Although each lens can be individually configured and customised to suit your desired light configuration.

## Optic lens options



## Beam angles

The OPTIK profile gives you the ability to create custom angles to suit specific design requirements that can be applied to various applications including retail, office and residential environments



XTI | 1.5 OPTIK WF Recessed  
(Wide Flange)  
IP66 | IK11

# Optical control

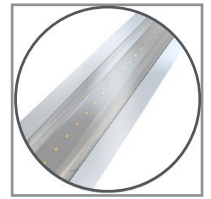
## Optic lens beam options



NOTE: illustration shows the XTI | 1.5 OPTIK Slot version

- 30° x 60° wall washer
- 60° oval
- 45° oval
- 30° medium
- 16° smooth

## diffuser option



Clear  
Polycarbonate

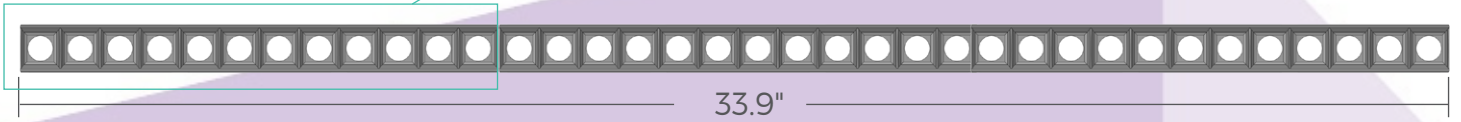
## Accessories



Vandal proof  
option

# XTI | 1.5 OPTIK WF Recessed (Wide flange) IP66 | IK11

## Dimensions of baffle



The OPTIK baffle can be arranged in a maximum of three modules

## bend options

Note: Unlit butt bends only



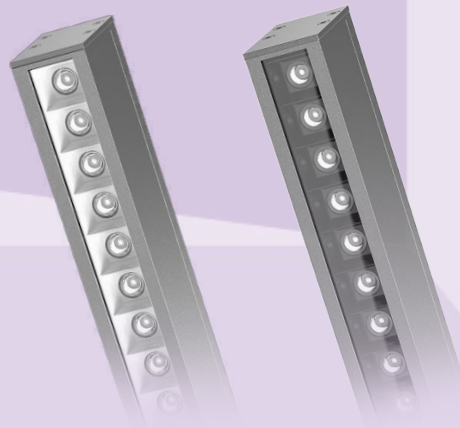
tee 90°



corner 90°

## optics

The XTI 1.5 profile come with many diffuser options for glare control in any application



White baffle

Black baffle

Note: For illustrative purposes the XTI 1.5 OPTIK Square profile is shown above