

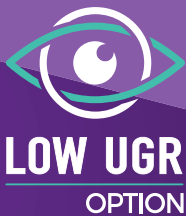
XERO  
TECHNOLOGY  
INFRASTRUCTURE



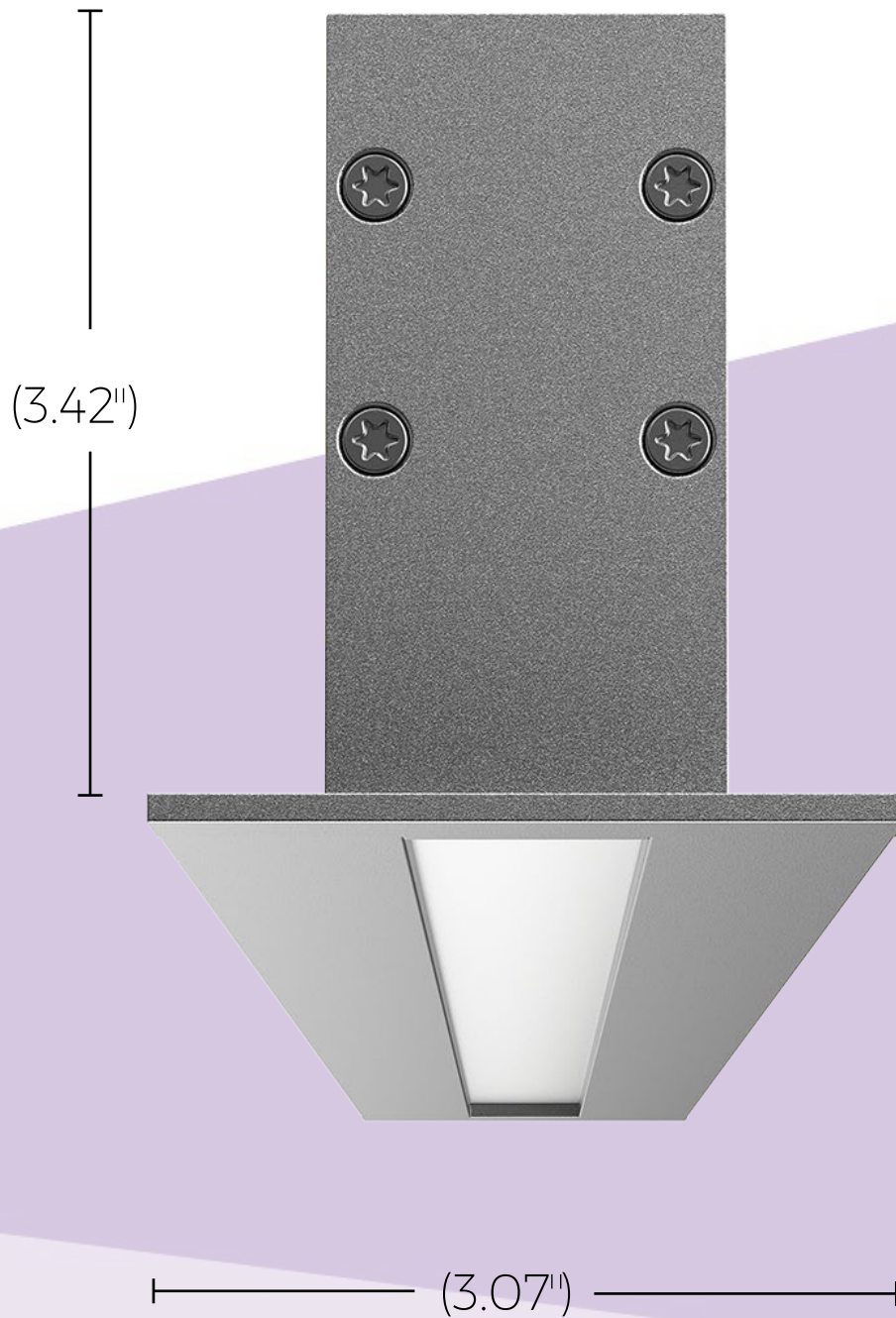
XTI | 1.5 WF Recessed  
(Wide Flange)

IK11 | IP66

Size | 3.07" x 3.42"



XTI | 1.5 WF Recessed  
(Wide Flange) IP66 | IK11



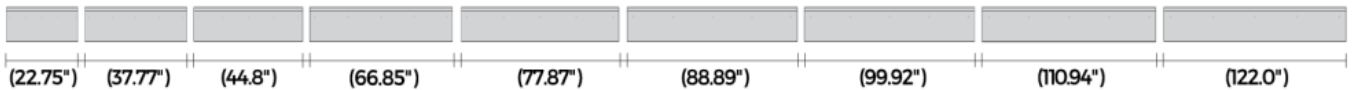
# XTI | 1.5 WF Recessed (Wide Flange) IP66 | IK11

## DATA TABLE

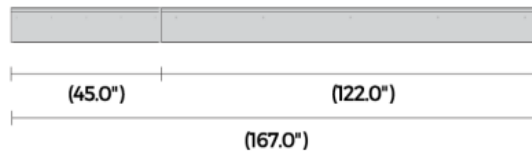
<b>Output</b>	Xeramix	CRI	80+
		Lumen Maintenance	114,000 Hours ( L90 B10 @ 122°F )
	Proformax S	CRI	90+
		Lumen Maintenance	82,000 Hours ( L80 B10 @ 95°F )
<b>Warranty</b>	Xeramix		Xeramix 1 = 10 years
	Proformax S		Proformax S = 7 years
<b>Electrical</b>	Voltage input range		120 – 277V
	Control methods		Dimming options for white light: 0-10V
	Total harmonic distortion THD		<10% max
	Approvals		UL / CE / CCC / AS:NZS / EMC
<b>Physical</b>	Dimensions		3.07" (including flange) Wide x 3.42" High
	Weight		2.17 lbs average weight per foot
	Housing		Aluminium extrusion with powder-coated finish: Standard powder-coated colours are: White / black and silver. Custom powder-coat on request
	Diffuser		Polycarbonate Diffuser/ Clear Polycarbonate Diffuser
	Connections		Optional IP Rated polarised electrical connection between sections
	Compatible ceiling type		Suitable for drywall ceilings, metal pan, concrete, timber and T bar grid ceilings
	Mounting		Field adjustable Rollerball Wire Suspensions / Surface Mounting / Custom Mounting / Rod Suspension / Wall Mounting
	Joiner options		(Non lit) 90° Butt bend / Tee Butt bend
	Operating temperatures		Proformax S – (-13°F to 95°F)   Xeramix – (-13°F to 140°F)
	Environment		Luminaire IP66 (Not in direct sunlight, diffuser must not face upwards).
	Minimum length adjustment		5.51"
	LED Board types		Xeramix in 0.98" / 3.94" / 11.02" / 22.05" lengths. Zhaga compatible Proformax S in 5.51" / 11.02" / 22.05" lengths. Zhaga compatible
	Vandal-proof		Available with anti-vandal fasteners
	Optional Extras		Lanyards / Emergency packs

# XTI | 1.5 WF Recessed (Wide Flange) IP66 | IK11

## XTI AVAILABLE LENGTHS



## EXAMPLE OF A STANDARD LENGTH COMBINATION



## CREATING LENGTHS WITH THE XTI SERIES

The XTI range IP66 | IK11 set lengths can be coupled together in any combination to achieve the desired length.  
Note: Custom lengths are also available - Please consult your local office for information

## CREATING LENGTHS WITH XTI | 1.5 Series IP66 IK11

The XTI | 1.5 IP66 IK11 set lengths can be coupled together in any combination to achieve the desired length.  
Note: custom lengths are also available – please consult your local Xero office for information

The XTI | 1.5 IP66 IK11 set lengths can be coupled together in any combination to achieve the desired length.

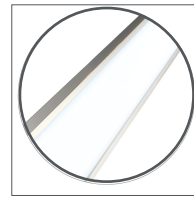
### CUSTOM LENGTHS

Custom lengths are available in 0.98" increments

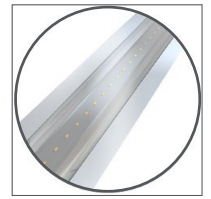
XTI | 1.5 WF Recessed  
(Wide Flange) IP66 | IK11

# Optical control

diffuser option



Opaque  
Polycarbonate



Clear  
Polycarbonate



Vandal proof  
option



Emergency  
packs