



XERO
TECHNOLOGY
INFRASTRUCTURE 

XTI | 2.0 Slot IK II | IP66

Size 2.36" Wide x 3.93" High

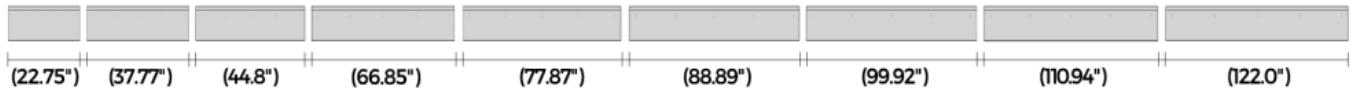


DATA TABLE

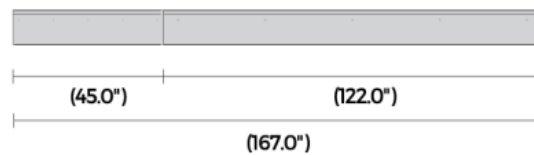
Output	Xeramix	CRI	80+
		Lumen Maintenance	114,000 Hours (L90 B10 @ 122°F) 1M hours (L70 B10 @ 122°F)
	Proformax S	CRI	90+
		Lumen Maintenance	82,000 Hours (L80 B10 @ 95°F)
Warranty	Xeramix	Xeramix I = 10 years Xeramix R = 15 years	
	Proformax S	Proformax S = 7 years	
Electrical	Voltage input range		120 – 277V
	Control methods		Dimming options for white light: 0-10V
	Approvals		UL / CE / CCC / AS:NZS / EMC
Physical	Dimensions		2.36" (3.03" including flange) Wide x 3.93" High
	Weight		3.33 lbs average weight per foot
	Housing		Aluminium extrusion with powder-coated finish: Standard powder-coated colours are: White / black and silver. Custom powder-coat on request
	Diffuser		Polycarbonate Opal Diffuser/ Clear Polycarbonate Diffuser / Parabolic Louvre
	Connections		Optional IP Rated polarised electrical connection between sections
	Compatible ceiling type		Suitable for drywall ceilings, metal pan, concrete, timber and T bar grid ceilings
	Mounting		Wire Suspension, Surface mount (with external bracket), Wall Blocks, End wall Bracket
	Joiner options		(Non lit) 90° Butt bend / Tee Butt bend
	Operating temperatures		Proformax S – (-13°F to 95°F) Xeramix – (-13°F to 140°F)
	Environment		Luminaire IP66 (Not in direct sunlight, diffuser must not face upwards).
	IK rating		IK11
	Minimum length adjustment		5.51"
	LED Board types		Xeramix in 0.98" / 3.94" / 11.02" / 22.05" lengths. Zhaga compatible Proformax S in 5.51" / 11.02" / 22.05" lengths. Zhaga compatible
	Vandal-proof		Available with anti-vandal fasteners
Optional Extras		Lanyards / Emergency packs	

XTI | 2.0 Slot IP66 | IK11

XTI AVAILABLE LENGTHS



EXAMPLE OF A STANDARD LENGTH COMBINATION



CREATING LENGTHS WITH THE XTI SERIES

The XTI range IP66 | IK11 set lengths can be coupled together in any combination to achieve the desired length.
Note: Custom lengths are also available - Please consult your local office for information

CREATING LENGTHS WITH XTI | 2.0 Series IP66 IK11

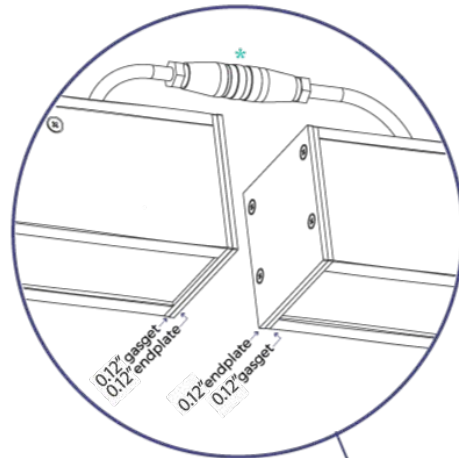
The XTI | 1.5 IP66 IK11 set lengths can be coupled together in any combination to achieve the desired length.
Note: custom lengths are also available - please consult your local Xero office for information

The XTI | 1.5 IP66 IK11 set lengths can be coupled together in any combination to achieve the desired length.

CUSTOM LENGTHS

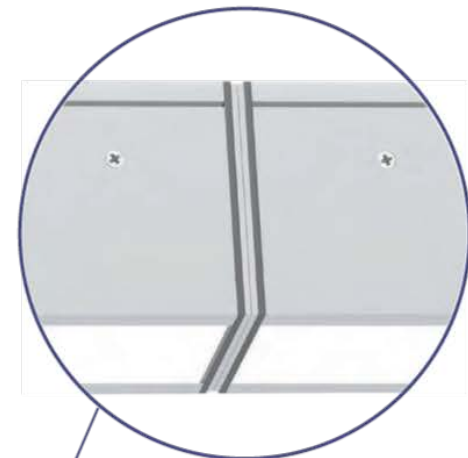
Custom lengths are available in 0.98" increments

JOINING CONFIGURATION

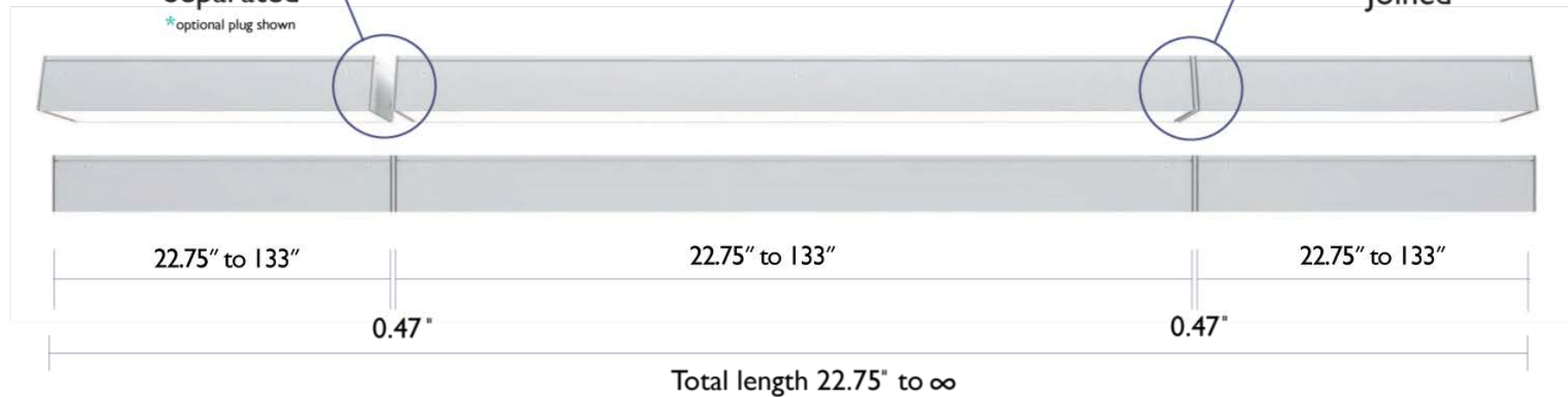


Separated

*optional plug shown



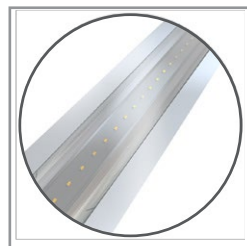
Joined





Optical control

XTI profiles come with many diffuser options for glare control in any application



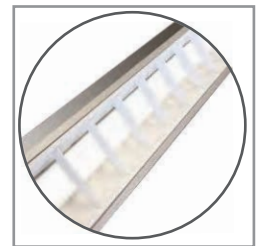
Clear
Polycarbonate



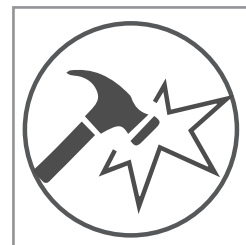
Opal
Polycarbonate



Semi-specular
Louvre



Optic white
louvre

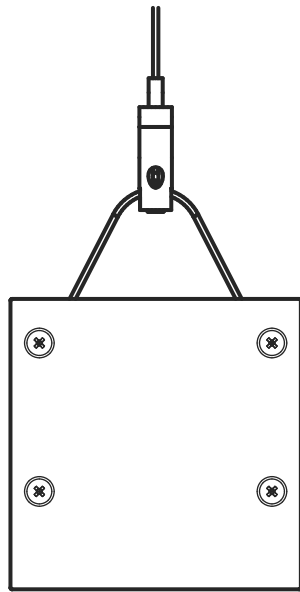
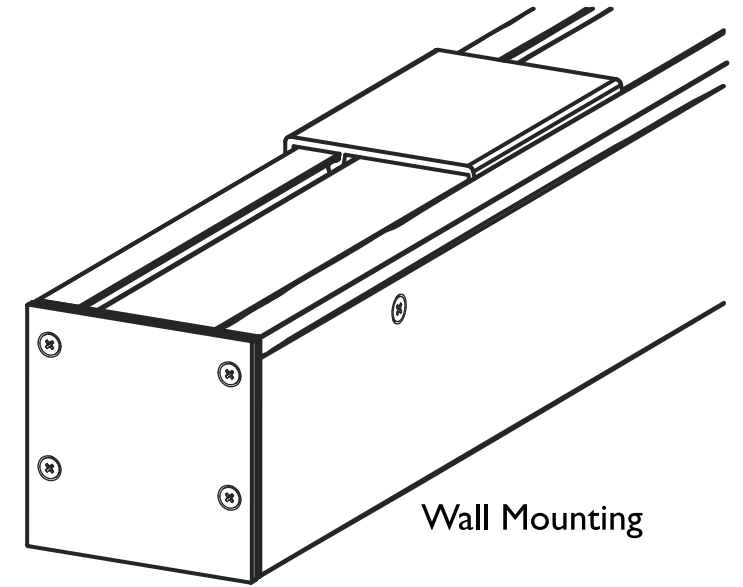
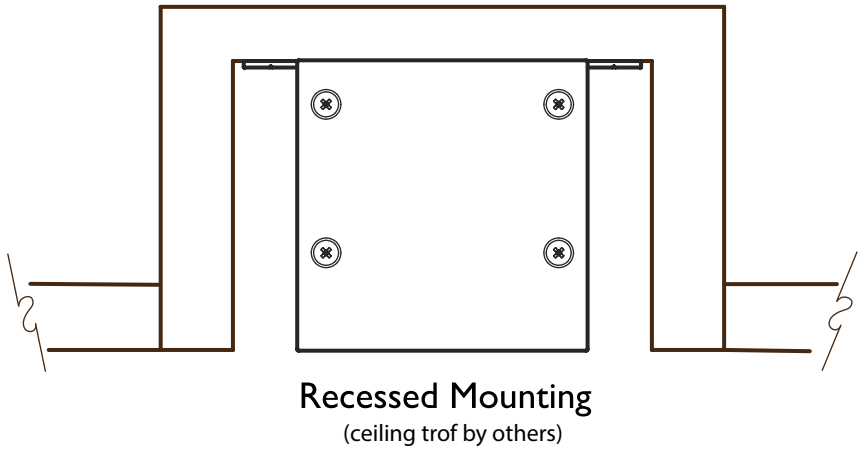


Vandal Proof

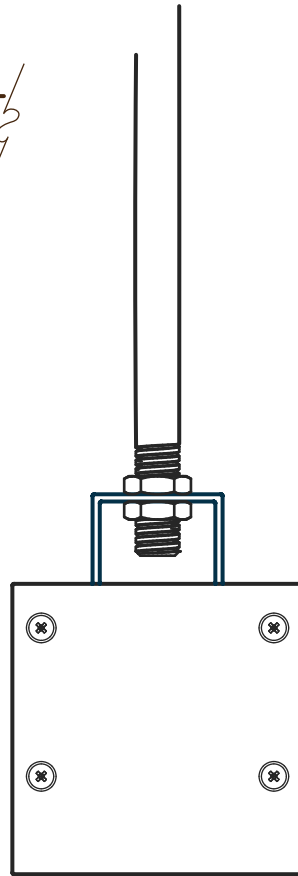


emergency packs

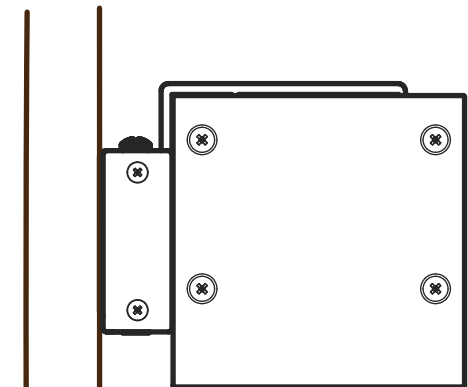
MOUNTING



Wire Suspension



Rod Suspension



**Wall Mounting
Side View**