



XERO
TECHNOLOGY
INFRASTRUCTURE 

XTI | 3.0 Square IK II | IP66

metric	80mm Wide x 80mm High
imperial	3.149" Wide x 3.149" High



DATA TABLE

Output	Xeramix	CRI	80+
		Lumen Maintenance	114,000 Hours (L90 B10 @ 122°F) 1M hours (L70 B10 @ 122°F)
	Proformax S	CRI	90+
		Lumen Maintenance	82,000 Hours (L80 B10 @ 95°F)
Warranty	Xeramix	Xeramix I = 10 years Xeramix R = 15 years	
	Proformax S	Proformax S = 7 years	
Electrical	Voltage input range		120 – 277V
	Control methods		Dimming options for white light: 0-10V
	Total harmonic distortion THD		<10% max
	Approvals		UL / CE / CCC / AS:NZS / EMC
Physical	Dimensions		3.14" Wide X 3.14" High
	Weight		2.95lbs weight per feet
	Housing		Aluminium extrusion with powder-coated finish: Standard powder-coated colours are: White / black and silver. Custom powder-coat on request
	Diffuser		Frosted acrylic lens
	Connections		Polarised electrical connection between sections sections
	Compatible ceiling type		Suitable for (drywall) ceilings, metal pan, concrete, timber and T-bar grid ceilings
	Mounting		Field adjustable rollerball wire suspensions / rod suspensions
	Joiner options		90° / Straight / 180° / custom
	IK rating		IK11
	Operating temperatures		Proformax S – (-13°F to 95°F) Xeramix – (-13°F to 140°F)
	Environment		Semi Outdoor IP66 (Not in direct sunlight)
	Minimum length adjustment		5.51"
	LED Board types		Xeramix in 0.98" / 3.94" / 11.02" / 22.05" lengths. Zhaga compatible Proformax S in 5.51" / 11.02" / 22.05" lengths. Zhaga compatible
	Vandal-proof		Available with anti-vandal fasteners
Optional Extras		Lanyards / Emergency packs	

Optical control

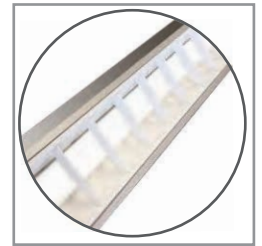
XTI profiles come with many diffuser options for glare control in any application



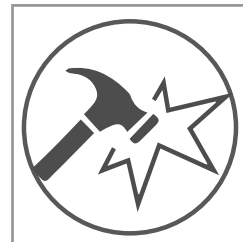
Polycarbonate



Semi-specular
Louvre



Optic white
louvre

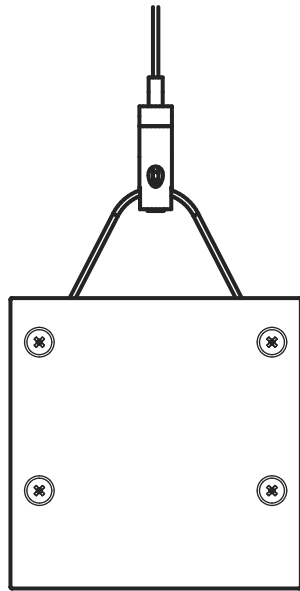


Vandal Proof

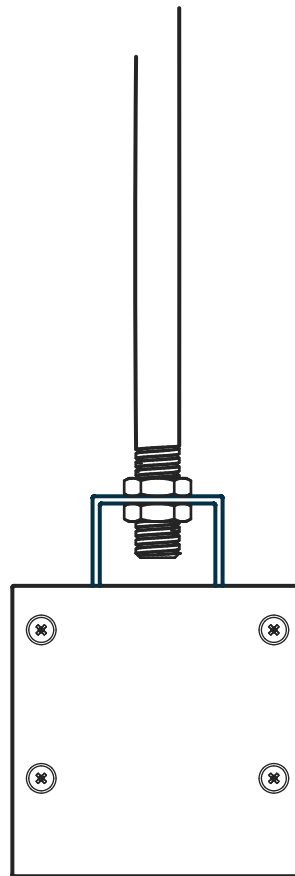


Emergency Packs

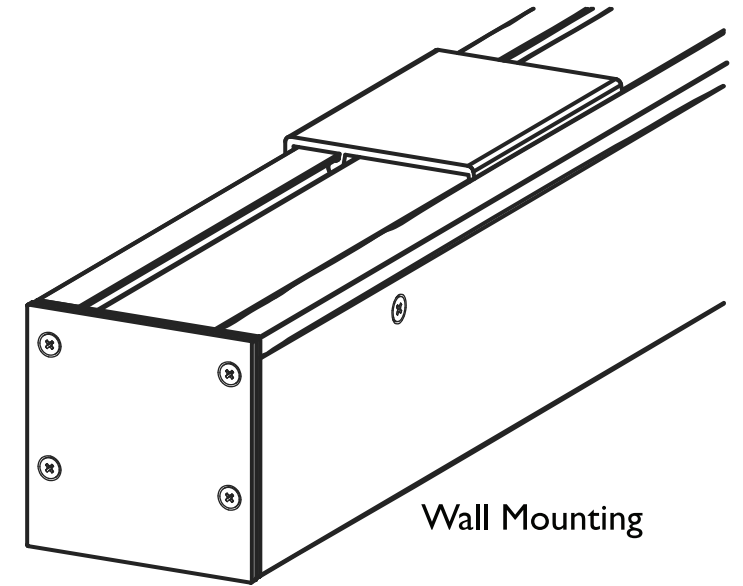
MOUNTING



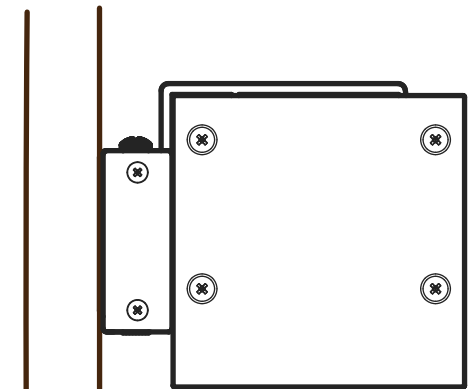
Wire Suspension



Rod Suspension



Wall Mounting



Wall Mounting
Side View