

XERO
TECHNOLOGY
INFRASTRUCTURE

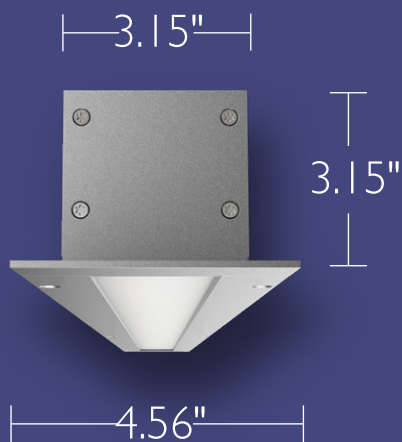


XTI | 3.0 WF Recessed (Wide Flange)

IKII | IP66



Size	3.15" Wide x 3.15" High (inc flange 4.56" Wide)
------	--

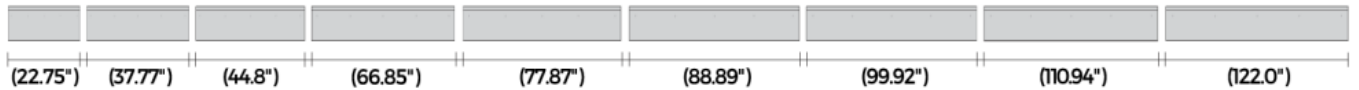


DATA TABLE

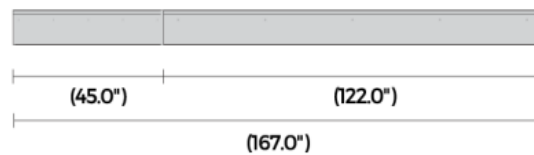
Output	Xeramix	CRI	80+
		Lumen Maintenance	114,000 Hours (L90 B10 @ 122°F) 1M hours (L70 B10 @ 122°F)
	Proformax S	CRI	90+
		Lumen Maintenance	82,000 Hours (L80 B10 @ 95°F)
Warranty	Xeramix	Xeramix 1 = 10 years Xeramix R = 15 years	
	Proformax S	Proformax S = 7 years	
Electrical	Voltage input range		120 – 277V
	Control methods		Dimming options for white light: 0-10V
	Approvals		UL / CE / CCC / AS:NZS / EMC
Physical	Dimensions		3.15" Wide (4.56" inc flange) x 3.15" High
	Weight		3.01 lbs average weight per foot
	Housing		Aluminium extrusion with powder-coated finish: Standard powder-coated colours are: White / black and silver. Custom powder-coat on request
	Diffuser		Opaque Polycarbonate Diffuser / Clear Polycarbonate Diffuser / Parabolic Louvre
	Connections		Optional IP Rated polarised electrical connection between sections
	Compatible ceiling type		Suitable for drywall ceilings, metal pan, concrete, timber and T bar grid ceilings
	Mounting		Wire Suspension, Surface mount (with external bracket), Wall Blocks, End wall Bracket
	Joiner options		(Non lit) 90° Butt bend / Tee Butt bend
	Operating temperatures		Proformax S – (-13°F to 95°F) Xeramix – (-13°F to 140°F)
	Environment		Luminaire IP66 (Not in direct sunlight, diffuser must not face upwards).
	IK rating		IK11
	Minimum length adjustment		5.51"
	LED Board types		Xeramix in 0.98" / 3.94" / 11.02" / 22.05" lengths. Zhaga compatible Proformax S in 5.51" / 11.02" / 22.05" lengths. Zhaga compatible
	Vandal-proof		Available with anti-vandal fasteners
	Optional Extras		Lanyards / Emergency packs

XTI | 3.0 WF Recessed IP66 | IK11

XTI AVAILABLE LENGTHS



EXAMPLE OF A STANDARD LENGTH COMBINATION



CREATING LENGTHS WITH THE XTI SERIES

The XTI range IP66 | IK11 set lengths can be coupled together in any combination to achieve the desired length.
Note: Custom lengths are also available - Please consult your local office for information

CREATING LENGTHS WITH XTI | 3.0 Series IP66 IK11

The XTI | 3.0 IP66 IK11 set lengths can be coupled together in any combination to achieve the desired length.
Note: custom lengths are also available - please consult your local Xero office for information

The XTI | 3.0 IP66 IK11 set lengths can be coupled together in any combination to achieve the desired length.

CUSTOM LENGTHS

Custom lengths are available in 0.98" increments

XTI | 3.0 WF Recessed Joining System

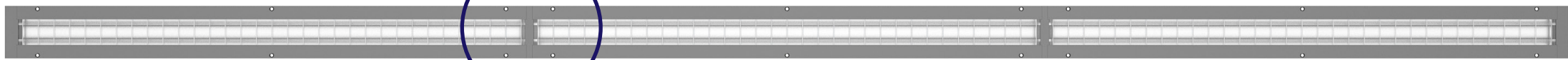
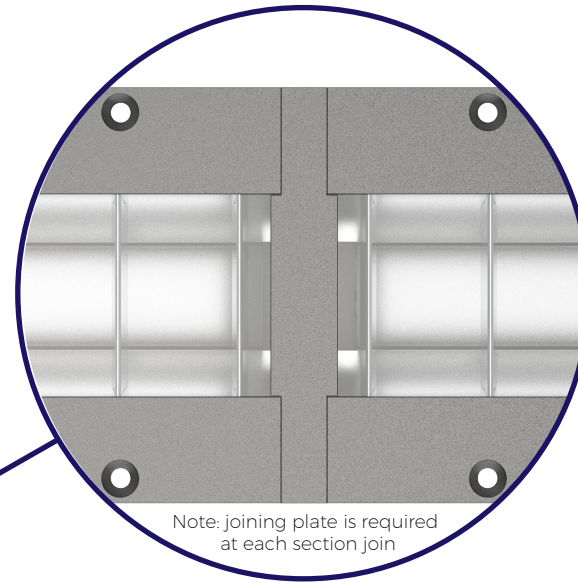
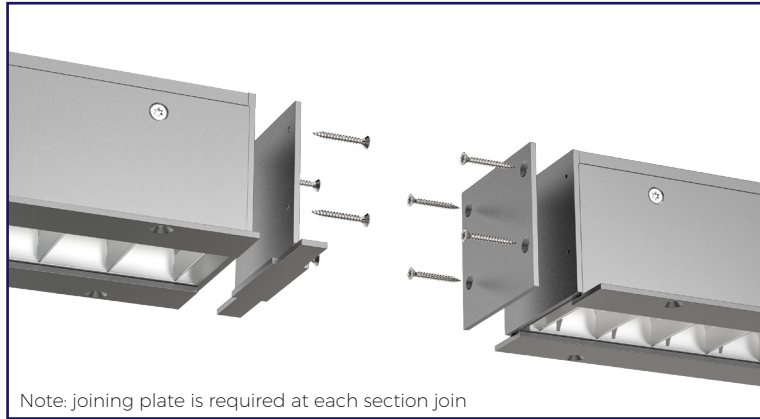
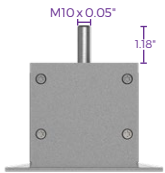
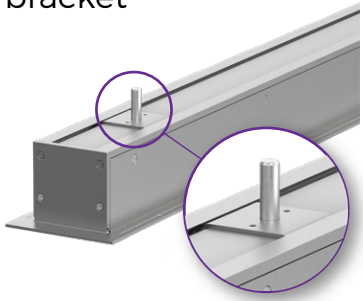


illustration is featured with semi specular louvre

XTI | 3.0 WF Recessed | Mounting Options

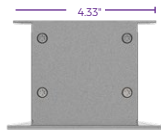
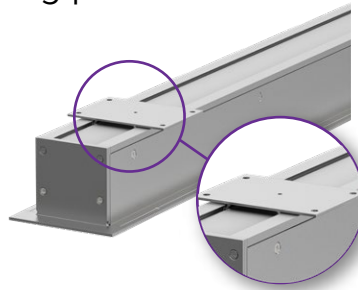


Sliding threaded stud bracket



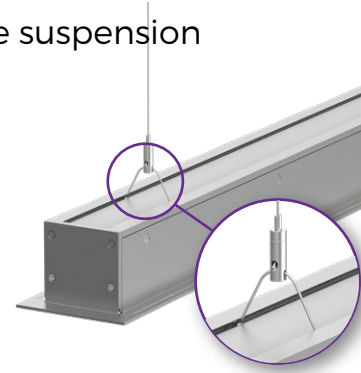
Thread height = 1.18" Thread diameter = M10 x 0.05"

Sliding surface mounting plate



Size of mounting plate 4.33" wide x 3.15" deep with 4 x 0.21" diameter holes
Mounting Plate Part No. X-665

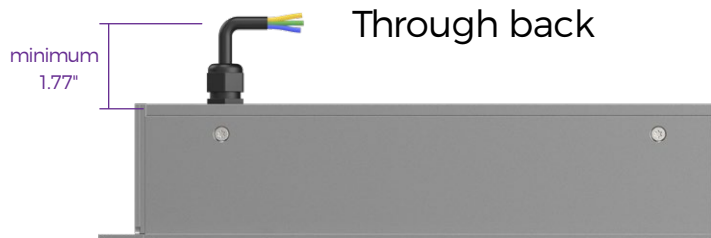
Wire suspension Kit



Recessed

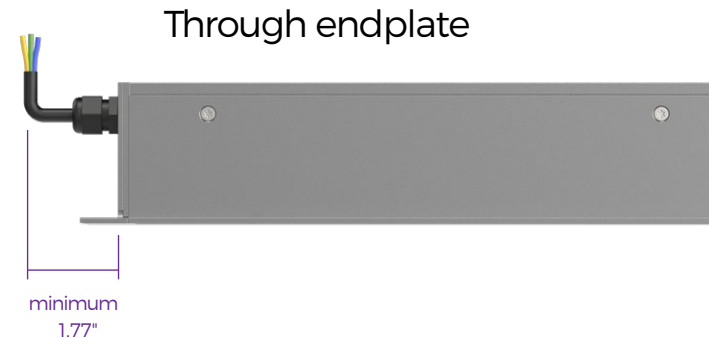


XTI | 3.0 WF Recessed | IP Gland + Power entry flex options



Through back

minimum 1.77"



Through endplate

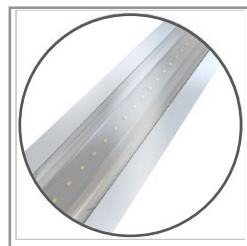
minimum 1.77"

XTI | 3.0 WF Recessed

IK11 | IP66

Optical control

XTI profiles come with many diffuser options for glare control in any application



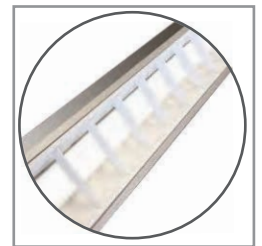
Clear
Polycarbonate



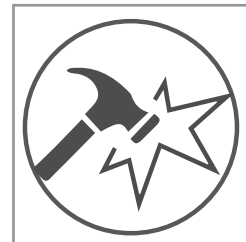
Opal
Polycarbonate



Semi-specular
Louvre



Optic white
louvre



Vandal Proof



Emergency Packs