

XERO
TECHNOLOGY
INFRASTRUCTURE



XTI | 4.0 Recessed
(WF) Wide Flange

IK11 | IP66

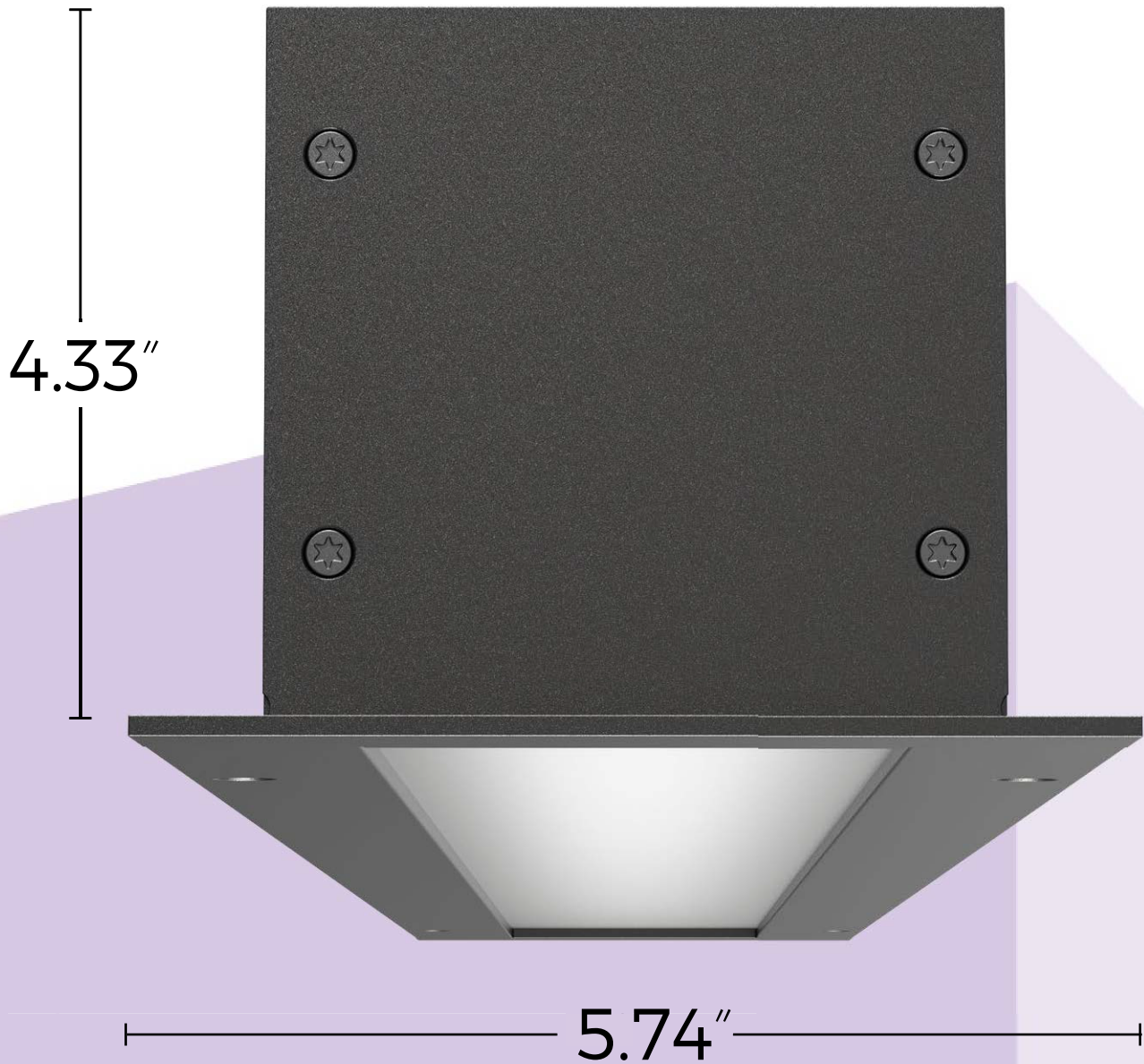
Size | 5.74" x 4.33"



LOW UGR
OPTION



XTI | 4.0 Recessed
(WF) Wide Flange



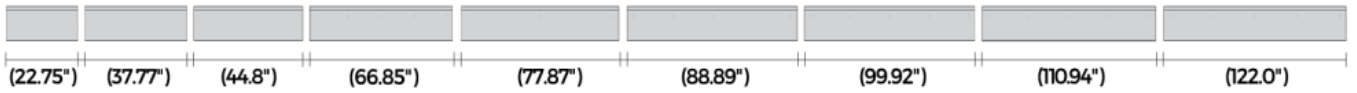
XTI | 4.0 Recessed (WF) Wide Flange IP66 | IK11

DATA TABLE

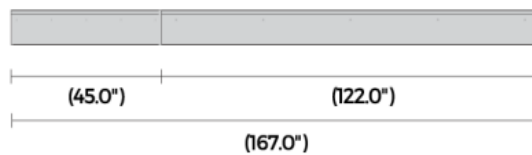
Output	Xeramix	CRI	80+
		Lumen Maintenance	114,000 Hours (L90 B10 @ 122°F) 1M hours (L70 B10 @ 122°F)
	Proformax S	CRI	90+
		Lumen Maintenance	82,000 Hours (L80 B10 @ 95°F)
Warranty	Xeramix	Xeramix I = 10 years Xeramix R = 15 years	
	Proformax S	Proformax S = 7 years	
Electrical	Voltage input range		120 – 277V
	Control methods		Dimming options for white light: 0-10V
	Total harmonic distortion THD		<10% max
	Approvals		UL / CE / CCC / AS:NZS / EMC
Physical	Dimensions		5.74" Wide x 4.33" High
	Weight		3.12 lbs average weight per foot
	Housing		Aluminium extrusion with powder-coated finish: Standard powder-coated colours are: White / black and silver. Custom powder-coat on request
	Diffuser		PlexiGlass
	Connections		Optional IP Rated polarised electrical connection between sections
	Compatible ceiling type		Suitable for drywall ceilings, metal pan, concrete, timber and T bar grid ceilings
	Mounting		Recessed Flange Mounted, Sliding Thread Stud Bracket, Sliding Surface Mounting Plate, Wire Suspension Kit
	Joiner options		(Non lit) 90° Butt bend / Tee Butt bend
	Operating temperatures		Proformax S – (-13°F to 95°F) Xeramix – (-13°F to 140°F)
	Environment		Luminaire IP66 (Not in direct sunlight, diffuser must not face upwards).
	Minimum length adjustment		5.51"
	LED Board types		Xeramix in 0.98" / 3.94" / 11.02" / 22.05" lengths. Zhaga compatible Proformax S in 5.51" / 11.02" / 22.05" lengths. Zhaga compatible
	Vandal-proof		Available with anti-vandal fasteners
	Optional Extras		Lanyards / Emergency packs

XTI | 4.0 Recessed IP66 | IK11

XTI AVAILABLE LENGTHS



EXAMPLE OF A STANDARD LENGTH COMBINATION



CREATING LENGTHS WITH THE XTI SERIES

The XTI range IP66 | IK11 set lengths can be coupled together in any combination to achieve the desired length.
Note: Custom lengths are also available - Please consult your local office for information

CREATING LENGTHS WITH XTI | 4.0 Series IP66 IK11

The XTI | 4.0 IP66 IK11 set lengths can be coupled together in any combination to achieve the desired length.
Note: custom lengths are also available - please consult your local Xero office for information

The XTI | 4.0 IP66 IK11 set lengths can be coupled together in any combination to achieve the desired length.

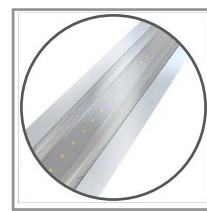
CUSTOM LENGTHS

Custom lengths are available in 0.98" increments

XTI | 4.0 Recessed (WF) Wide Flange

Optical control

XTI profiles come with many diffuser options for glare control in any application



Clear
Polycarbonate



Opal
Polycarbonate



Vandal proof
option



Emergency
packs